

USER'S MANUAL

iROBOTICS 7 SERIES

The World's #1 Medical Massage Chair™



SpaSalon.us
wholesale

TABLE OF CONTENTS

	Page #
I. INTRODUCTION	3
II. IMPORTANT SAFETY INSTRUCTIONS	4
1. When using an electrical appliance, basic precautions should always be followed, including the following: Read all instructions before using (this appliance).....	4
2. Grounding Instructions.....	4
III. INSTALLATION INSTRUCTIONS	8
1. Step 1: Unpack the two large packages.....	8
2. Step 2: Assemble the armrests.....	8
3. Step 3: Back cushion assembly.....	9
4. Step 4: Seat cushion and pillow assembly.....	10
5. Step 5: Install remote control and other electrical accessory devices.....	11
IV. UNDERSTANDING REMOTE CONTROL FEATURES	12
1. Quick Instruction to Remote Main Screen.....	12
2. Start/Stop the chair.....	12
3. Automatic massage modes.....	13
4. Manual massage modes.....	14
5. System setting.....	15
V. HEALTHCARE DEVICE (Optional)	15
1. About the device.....	16
2. Taking a measurement.....	17
VI. TROUBLESHOOTING OF MASSAGE CHAIR	18
VII. WARRANTY INFORMATION	19
a. For home use.....	20
b. For commercial use.....	21
VIII. DISCLAIMERS	21
IX. EXTENDED WARRANTY REGISTRATION	22

I. INTRODUCTION

iRobotics 7 is the 7th Generation of LURACO's World's #1 Massage Chair™ Product Line

QUALITY + VALUE + LUXURY

In an effort to revolutionize the massage experience, LURACO Technologies Corp, an industry leading massage chair manufacturer has successfully developed a new model (i7) of World's #1 Massage Chair Brand to bring together all aspects of novel technologies, massage therapy techniques, healthcare, and entertainment features onto one ingenious and comprehensive machine; truly the Industry's Best Massage Chair.

Outstanding Features and Patented Technologies:

- First and only medical massage chair brand researched, developed, and assembled in U.S.A
- First and only medical massage chair operated on a powerful (OS) operating system
- First and only medical massage chair with **patented** integrated health monitoring features that allow the user to measure blood pressure and heart rate
- First and only medical massage chair with a **patented** easy-to-use touch screen remote that has similar hardware and software as a smartphone
- The latest in intelligent sensor technology with powerful and advanced software algorithms for accurate detection of neck position and spinal contour for the best massage profiles
- **Most advanced 3D robotic arm system with the latest technology that provides outstanding lower back and neck massage techniques**
- 3 layered foot and calf massager
- Advanced bottom foot massager with doubled rollers
- Full body heat (feet, seat, and back)
- Helpful diagrams of body acupuncture points and reflexologies
- Human voice response
- Integrated ultra clean MP3 music system
- 5 Personal user memory settings
- Real Genuine Leather at all the touch surfaces (Head, Arms, Shoulders, and Feet)
- Zero gravity
- 9 automatic and limitless manual customizable programs
- **Proud to be the first massage chair brand that is FDA and UL listed.**

II. IMPORTANT SAFETY INSTRUCTIONS

1. When using an electrical appliance, basic precautions should always be followed, including the following: Read all instructions before using (this appliance).



WARNING – To reduce the risk of burns, fire, electric shock, or injury to persons:

1. The main power switch is marked with international symbols “O” and “I”. The switch in position “I” means that system is turned on, and the switch in position “O” means that system is off.
2. An appliance should never be left unattended when plugged in. Unplug from outlet when not in use and before putting on or taking off parts.
3. DO NOT wear jewelry, glasses, or watches of any kind.
4. Close supervision is necessary when this appliance is used by, on, or near children, invalids, or disabled persons. Keep children away from extended foot support (or other similar parts*).
5. Use this appliance only for its intended use as described in this manual. Do not use attachments not recommended by the manufacturer.
6. Never operate this appliance if it has a damaged cord or plug, if it is not working properly, if it has been dropped or damaged, or dropped into water. Return the appliance to a service center for examination and repair.
7. Keep the cord away from heated surfaces.
8. Do not use outdoors.
9. Do not operate where aerosol (spray) products are being used or where oxygen is being administered.
10. To disconnect, turn all controls to the off position, then remove plug from outlet.
11. Connect this appliance to a properly grounded outlet only. See Grounding Instructions.
12. Do not remove the back cushion and do not play with roller mechanism.
13. Do not remove the bottom seat and do not play with actuators.
14. Keep the cord out of heavy traffic area. To avoid fire hazard NEVER put the cord under rugs, near heat generating devices.
15. Always unplug the power cord from the electrical outlet immediately after use and before cleaning.
16. Always check the volume before using the ear plugs.
17. Do not operate any equipment with damaged parts.
18. Any other use not recommended by the manufacturer may cause electrical shock or injury to persons.
19. Do not touch or re-wire the wires connected to the master-box.
20. Do not attempt to repair or adjust any electrical or mechanical functions on this unit. Doing so will void the warranty.

After reading this user's guide, if you have any questions or comments, please call +1-800-483-9930 or contact our technical support department at support@LURACO.com or visit our website at www.LURACO.com for more information

2. Grounding Instructions

This product must be grounded. If it should malfunction or breakdown, grounding provides a path of least resistance for electric current to flow, thus reducing the risk of electric shock. This product is equipped with a cord having an equipment-grounding conductor and a grounding plug. The plug must be plugged into an appropriate outlet that is properly grounded in accordance with all local codes and ordinances.

DANGER - Improper connection of the equipment-grounding conductor can result in a risk of electric shock. Check with a qualified electrician or serviceman if you are in doubt as to whether the product is properly grounded. Do not modify the plug provided with the product - if it does not fit the outlet; have a proper outlet installed by a qualified electrician.

Followed by either instruction a) or b) below:

- a) This product is for use on a nominal 120V circuit, and has a grounding plug that looks like the plug illustrated in sketch A in the Figure pictured. A temporary adapter that looks like the adapter illustrated in sketches B and C may be used to connect this plug to a 2-pole receptacle as shown in sketch B if a properly grounded outlet is not available. The temporary adapter should be used only until a properly grounded outlet (sketch A) can be installed by a qualified electrician. The green colored rigid ear, lug, or the like extending from the adapter must be connected to a permanent ground such as a properly grounded outlet box cover. Whenever the adapter is used, it must be held in place by a metal screw.
- b) This product is for use on a nominal 120V circuit, and has a grounding plug that looks like the plug illustrated in sketch A in the Figure below. Make sure that the product is connected to an outlet having the same configuration as the plug. No adapter should be used with this product.

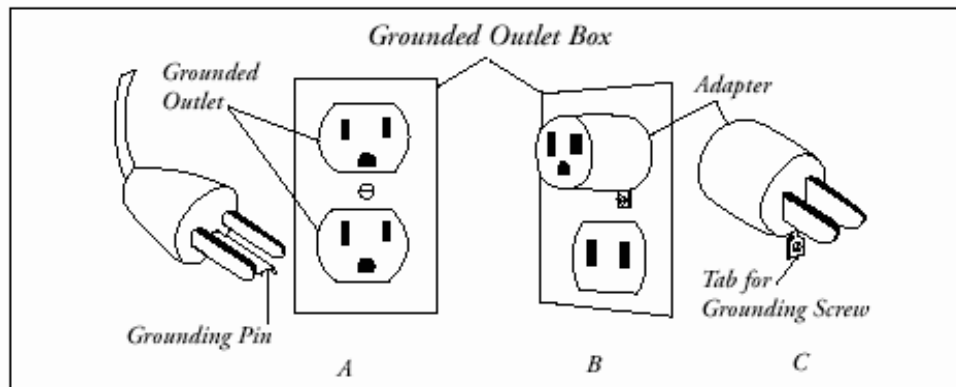


Fig.1: Grounding Instruction



MEDICAL WARNINGS

- Pregnant women
- People with distorted joints, broken bones, skin infection or injury
- Children under 12 years of age

If you have a medical issue or concern, please consult your doctor before using the massage chair

Do Not

- Do not allow children to play near the chair especially during operation
- Do not use any massage function on the head
- Do not massage abdominal area or knee cap region
- Do not leave mobility impaired or speech impaired people alone in chair
- Do not wear jewelry, glasses, or watches of any kind



EMERGENCY STOP

In case of emergency, press the power button on the remote to stop the system.

Additional Safety Precautions

- Do not use more than 20 minutes per session
- Do not operate near young children
- Do not move the machine during operation
- Do not place or stock this machine near damp places such as swimming pools or bathrooms
- Do not press by force on the massage rollers
- Do not stand on the chair or store heavy items on the chair
- Do not use in the environment which is dusty, greasy or lacking oxygen
- Do not place near steam, oven, open fire, or heat
- Wear suitable clothing, do not massage with bare skin
- Do not place directly in the sun
- Do not use electric blanket while using the massage chair
- Do not use outdoors
- Do not use while smoking
- Place this machine horizontally with space over 80cm, enough for full recline mode
- Place on level floor

Note: Do not use this apparatus as a bed or fall asleep in the course of massage. Do not use more than 20 minutes, the recommended time of use is 20 minutes. Prolonged massaging may cause aches, muscle or nerve issues. (The preferred total duration of massaging within the day should be 30 minutes total or less).



Caution for User

- This device should not be used until grounded
- For a softer massage, a dry towel can be placed on the chair (never use an electric blanket) (note that a gentle massage pad is included)
- In the course of normal use, lift the back cushion regularly to check if there is any damage or crack in the fabric of cushion part. Please stop using immediately even if there is minor damage, turn off the power cable. Send the cushion in for repair to avoid possible electric shock.
- Do not move the chair while in use
- Do not place heavy objects on the armrest, foot cushion or back of the chair to avoid turning over the chair or damage to the chair
- Do not pull the fabric forcefully or stab it with sharp objects which can result in injury or damage to the chair
- Do not move the chair on wooden floor, carpet or other easily damaged flooring
- Children and pets should not be allowed to play around chair
- Please be sure that no people, pets, or other objects are behind the chair or under the legs before reclining or lowering the leg massager
- Do not put your hands or head under the chair
- When using the massage chair, ascertain that the footrest is in the lowest position
- Do not use immediately after meals
- Do not sit on the back cushions, armrest, or legs
- Do not use the massage chair when your body is wet or moist as it can result in electrical shock
- Do not operate with more than one person
- Do not use when using head ornamentation as it can result in injury
- Do not stumble over electrical wires or connections

Do Not Use the Chair under the Following Conditions

- When the apparatus has been rinsed with water or fails to operate
- Power cable is damaged
- If you feel abnormal or extremely achy during the course of the massage, please stop using the massage chair immediately and consult a doctor
- Power failure occurs

- When the massage chair malfunctions during the course of operation
- Do not touch the inner parts of the chair as this can cause damage and electrical shock
- Do not dismantle and remove inner parts, or repair the massage chair
- Do not operate during a thunderstorm

Methods of Storage

- Do not dismantle the back of the chair
- Keep the massage chair free of dust
- Cover the chair with dust-free cloth to prevent dust from collecting
- Do not store in a hot, humid, damp place or in direct sunlight or heat

Cleaning Methods

- Before cleaning unplug from electrical source to avoid shock
- Clean the cloth surface with neutral detergent or special mild detergent for cloth
- For Leather use Leather Cleaner and Leather Conditioner
- Dust can be cleaned off with a damp cloth of mild detergent and air dry
- Do not spray pesticide on device
- Specified cleaner can be used on the leather, plastic, and dried with a cloth
- **DO NOT** use a damp cloth on the electronic components which can cause shock and damage
- The leather covers (headrest, armrest, calf and feet) can be removed for cleaning

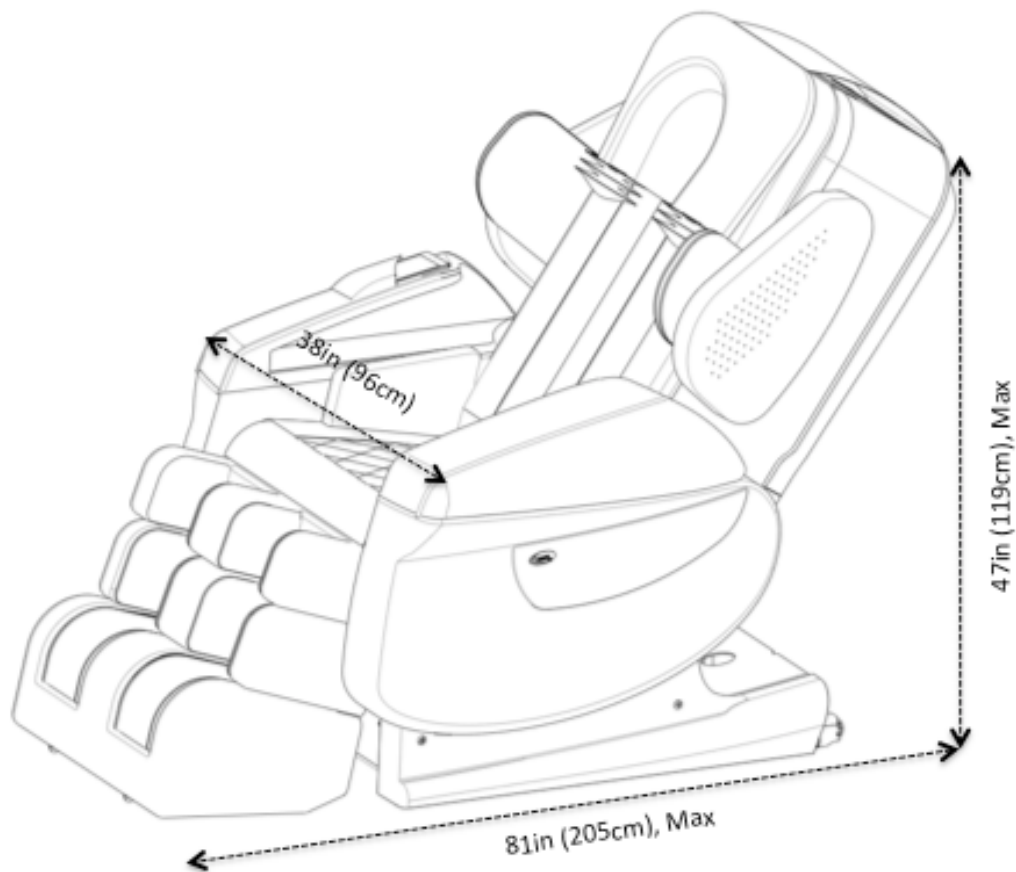


Fig.2: Space Requirement

III. INSTALLATION INSTRUCTIONS

PLACEMENT

There must be enough space around the chair for proper operation. There is a required clearance of 80 cm or 31.5 inches from the front of the chair to the wall and 60 cm or 26.5 inches for the chair backrest.

Step 1: Unpack the two large packages

Take out the main body, back cushion, seat cushion, pillow, remote control, and armrests from the boxes carefully.

We suggest at least two people to assist with assembly.



ATTENTION



Be sure no children, pet, or substance is around chair. Allow enough space for installation.

Step 2: Assemble the Armrests

Please refer to Fig.3 and Fig.4 and follow the steps (a to e) below to install the armrests.

- a. Assemble armrest air tubes (Fig.3). Make sure the color marks/numbers are matched
- b. Fix air tubes. Make sure air tubes are not bent (Fig.3)
- c. Insert the axle into the located slot on the seat frame (Fig.3 and Fig.4)

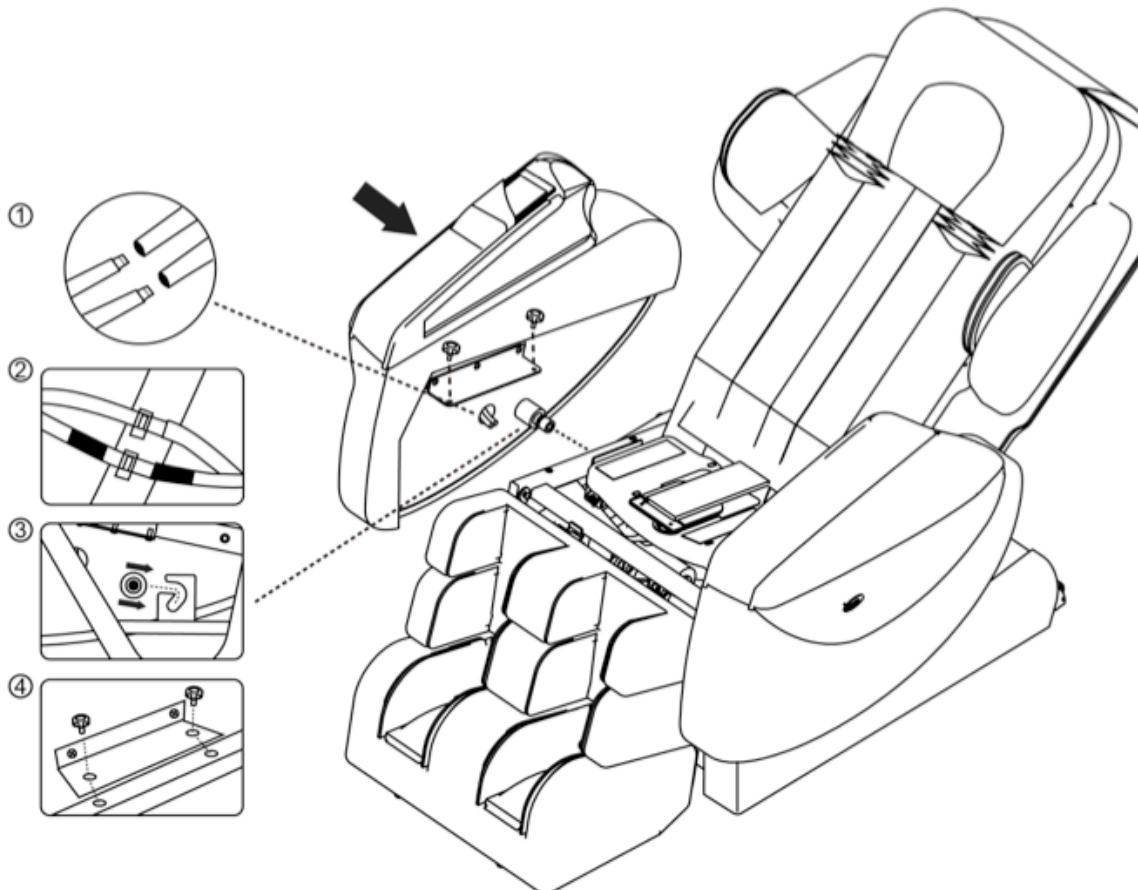


Fig.3: Armrest Installation

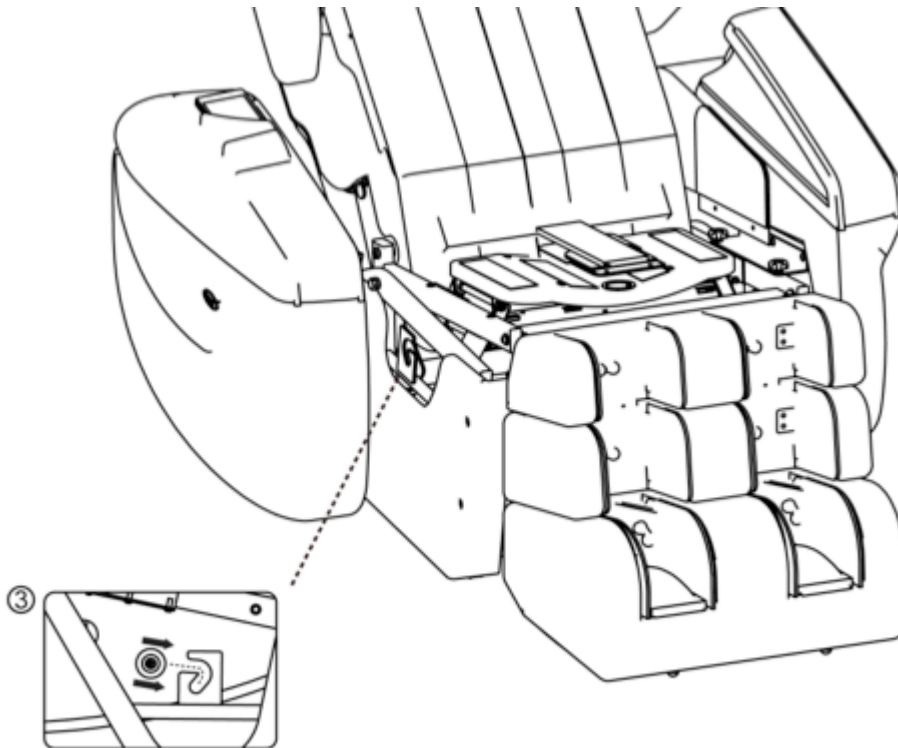


Fig.4: Armrest Installation

- d. Install 2 black head screws to secure the armrest metal plate onto the seat frame (Fig.3)
- e. In Repeat steps (a to e) for the armrest assembly on other side

ATTENTION!

Be sure no object is behind chair for reclining.

For a more gentle massage, a gentle massage pad is included. Place the pad in front of massage chair back cushion.

Step 3: Back Cushion Assembly

Assemble the back cushion as shown in Fig. 5 below. Be sure to connect the heat connector with matched wire color.

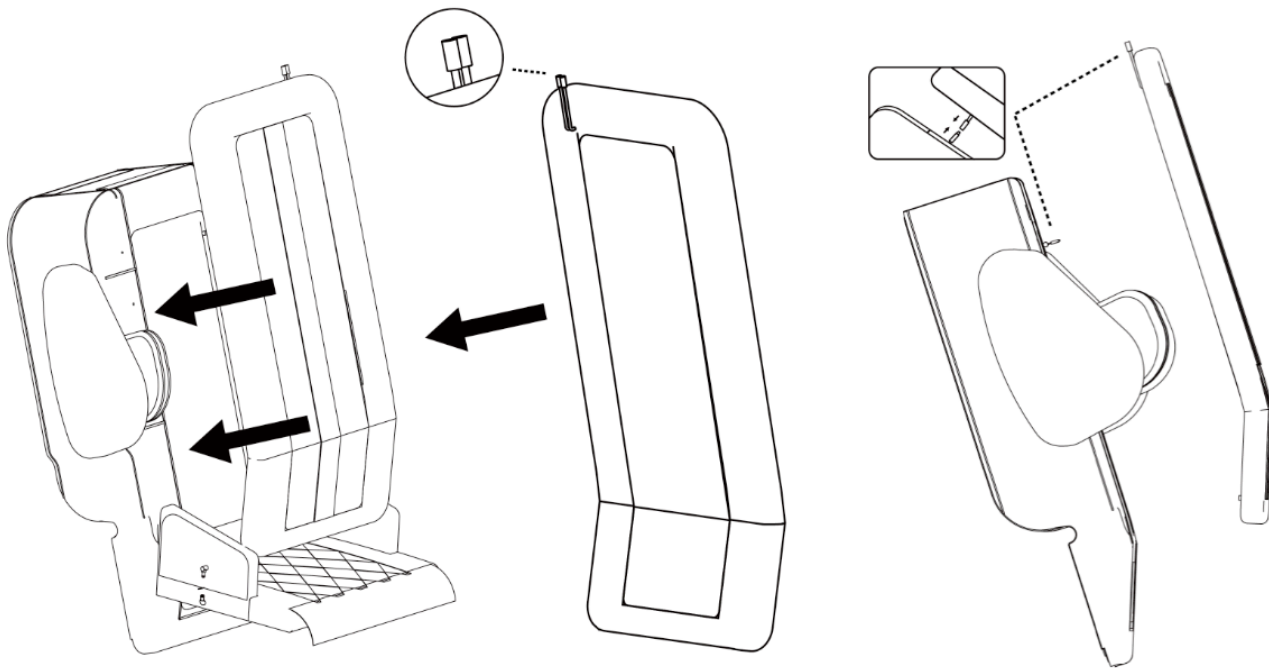


Fig.5: Back Cushion Installation

Step 4: Seat Cushion and Pillow Assembly

- a. Assemble Seat Cushion:
Connect one air pipe and one electrical connector on the bottom of seat cushion as shown in Fig.6 below.
- b. Assemble The Pillow:
Connect the air pipe on the pillow to the pipe on the back of the chair as shown in Fig.7 below.
Be sure to install the clamps to secure the air pipes (Use the plier provided)

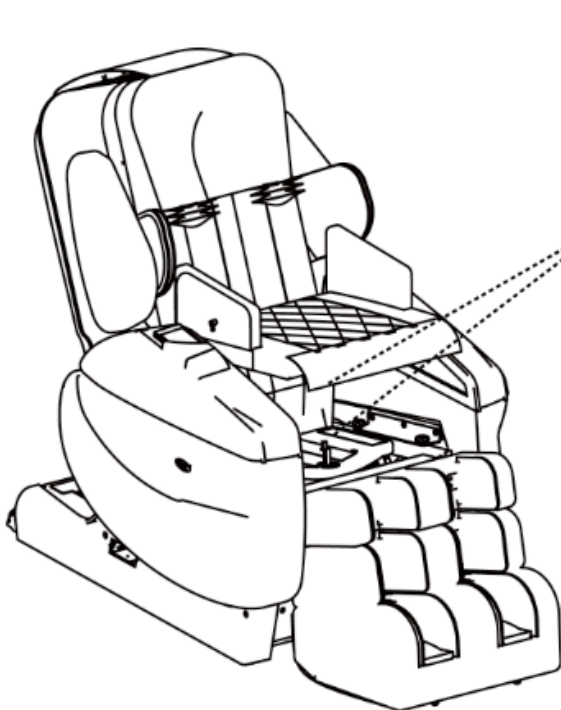


Fig.6: Seat Cushion Assembly

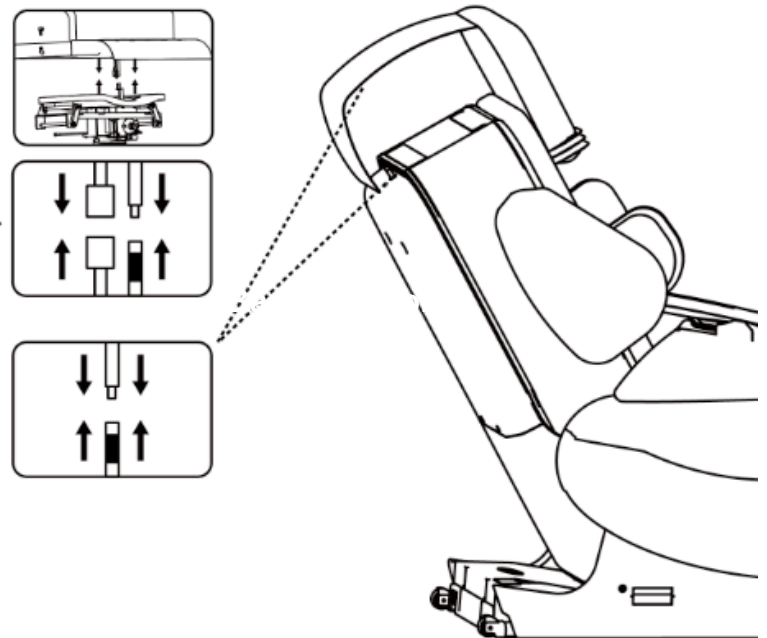


Fig.7: Pillow Assembly

Step 5: Install Remote Control and other Electrical Accessory Devices

- a. Please refer to Fig.8 below for remote control, and other accessory devices connection.

Note: This panel is located on the right side of the chair slightly below the armrest

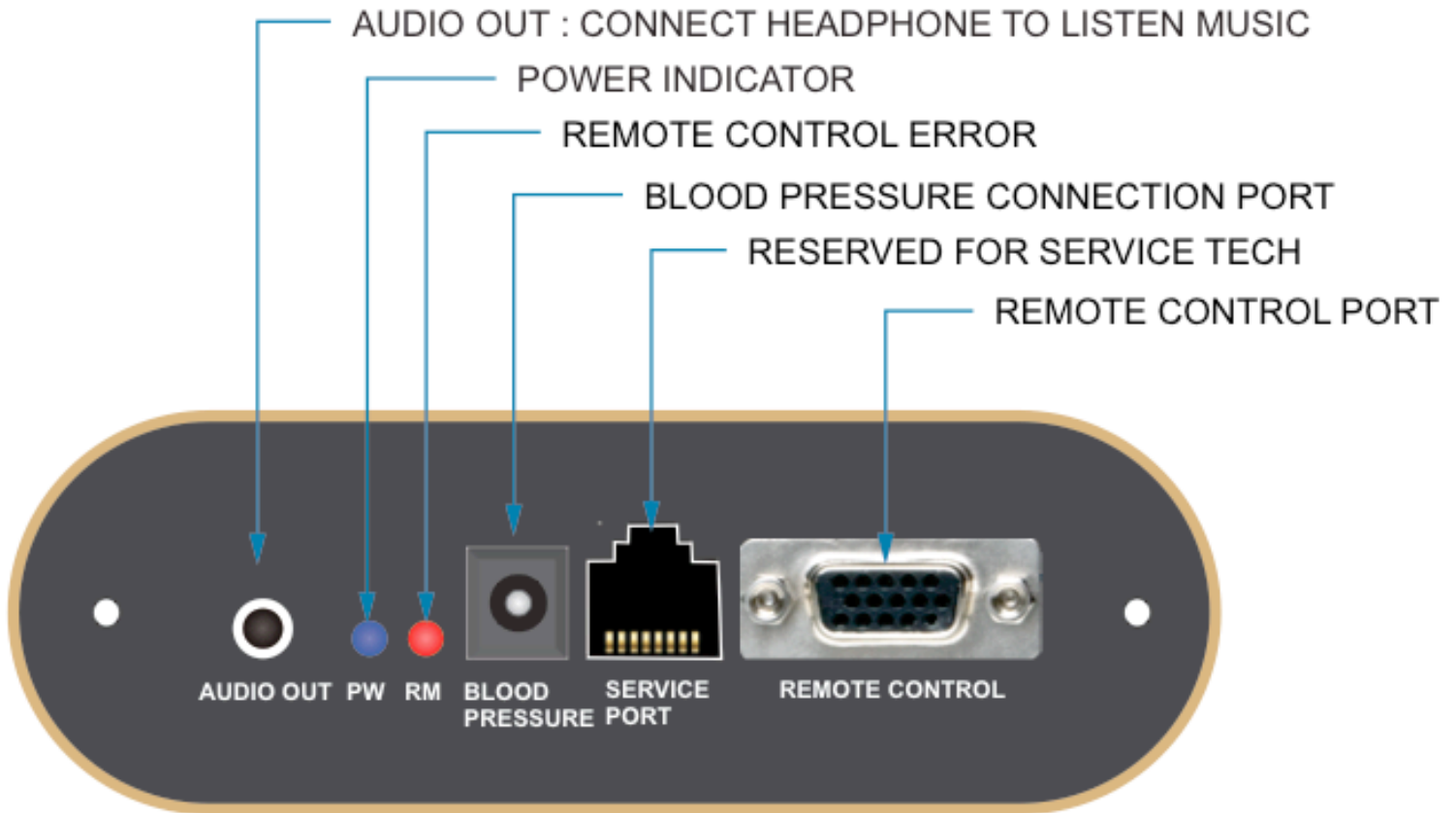


Fig.8: Side Panel

- b. Plug the power cord to the back of the chair
c. Power is turned on/off by a switch on the back (Switch to position I to turn on and position 0 to turn off)
d. Use the remote to choose the massage functions
e. For MP3 music player, please insert an SD card with MP3 music files to the bottom of the remote (Fig. 9).
A sample SD card is included.
f. If you use earplugs, please insert the earplugs to the audio socket as indicated on the side panel of chair.

IV. UNDERSTANDING REMOTE CONTROL FEATURES



Fig.9: Remote Control Instructions and Button Description

1. Quick Instruction to Remote Main Screen

- **Auto:**
This window allows you to select one of the 9 automatic massage pre-programs.
- **Manual:**
This window allows you to customize a massage profile that best fits your body size for best results. After an optimized profile is created, you can save it under a Users profile. So, you can recall this saved profile next time you use the chair.

- **Settings:**
This window allows you to setup some system preferences and passcode protection.
- **Music:**
This window allows you to play music from a micro SD card inserted to the remote control (Fig. 9)
- **Info:**
This window displays diagram information related to human body acupuncture points. It's designed to help you understand and customize a massage profile that is best suited for you.
- **Heat:**
This window allows you to turn on/off the heat and adjust the heat level.
- **Adjustment:**
This window allows you to adjust the chair to your preferred position. This chair position will also be saved under user profile when you save it.
- **Intensity:**
Unlike many other chairs on the market, this window features allow you to control the massage intensity on different parts of your body. These intensity levels will also be saved under user profile when you save it.
- **Users:**
This window allows you to save your customized massage profile, chair position, and intensity levels.

2. Start/Stop the chair

This button starts/stops the massage system. The default timer for each massage session is 20 minutes. When timer is up, the chair maintains its position to avoid sleep disruption. Pressing this button will put the chair back to its initial position automatically.

3. Automatic Massage Modes

- **Quick Massage Mode:** This mode provides a quick 10 minute full body massage.
- **Health Massage Mode:** This mode covers the entire body and emphasizes on point based massage varying pressure at different points while in zero gravity position. This mode is designed for health enhancement.
- **Morning Massage Mode:** This is a medium intensity massage style, which has a combination of all popular soft massage styles. The mechanism performs a combination of medium intensity tapping, kneading, combo, rolling, and stretching. It is recommended for morning use.
- **Night Massage Mode:** This mode applies high intensity massage throughout the whole body with the focus on the lower back, feet, and neck. This mode also implements high intensity stretching in zero gravity position to help release muscle strain. It is recommended for evening massage before going to bed.
- **Swedish Massage Mode:** This mode applies gentle massage throughout the body, which helps in muscle relaxation and blood circulation. The mechanism performs low intensity tapping and kneading along with rolling at regular intervals.
- **Shiatsu Massage Mode:** This massage mode is designed to relieve severe tension in the muscle and connecting tissues. The mechanism performs high intensity tapping, kneading, rolling and stretching throughout the cycle.
- **Stretch Massage Mode:** This mode provides a body and foot muscle stretching massage.

- **Soft Massage Mode:** This massage style covers the entire body applying varying pressure at different acupuncture points of the back. The mechanism performs medium intensity kneading and tapping combinations along with rolling and stretching.
- **TV Mode:** This mode sets the chair to a comfortable position for TV watching.

4. Manual Massage Modes

i7 Series allows the user to easily customize the massage profile and save it under a user profile.

Touch a button on the body diagram screen to **add or remove** the massage **to or from** the specific parts of the body. The selected massage profiles will be highlighted in green color on the buttons.



Fig.10: Manual Mode Descriptions

5. System Setting



Fig.11: System Setting Description

V. HEALTHCARE DEVICE (Optional)

1. About the device

iRobotics 7 Series has capability to operate an optional health monitoring device made by OMRON. The device can measure blood pressure and heart rate of the user. Connect the blood pressure monitor to blood pressure port on the side panel of the chair before operating (Refer to Fig.8). Please follow a quick instruction below to operate the device.

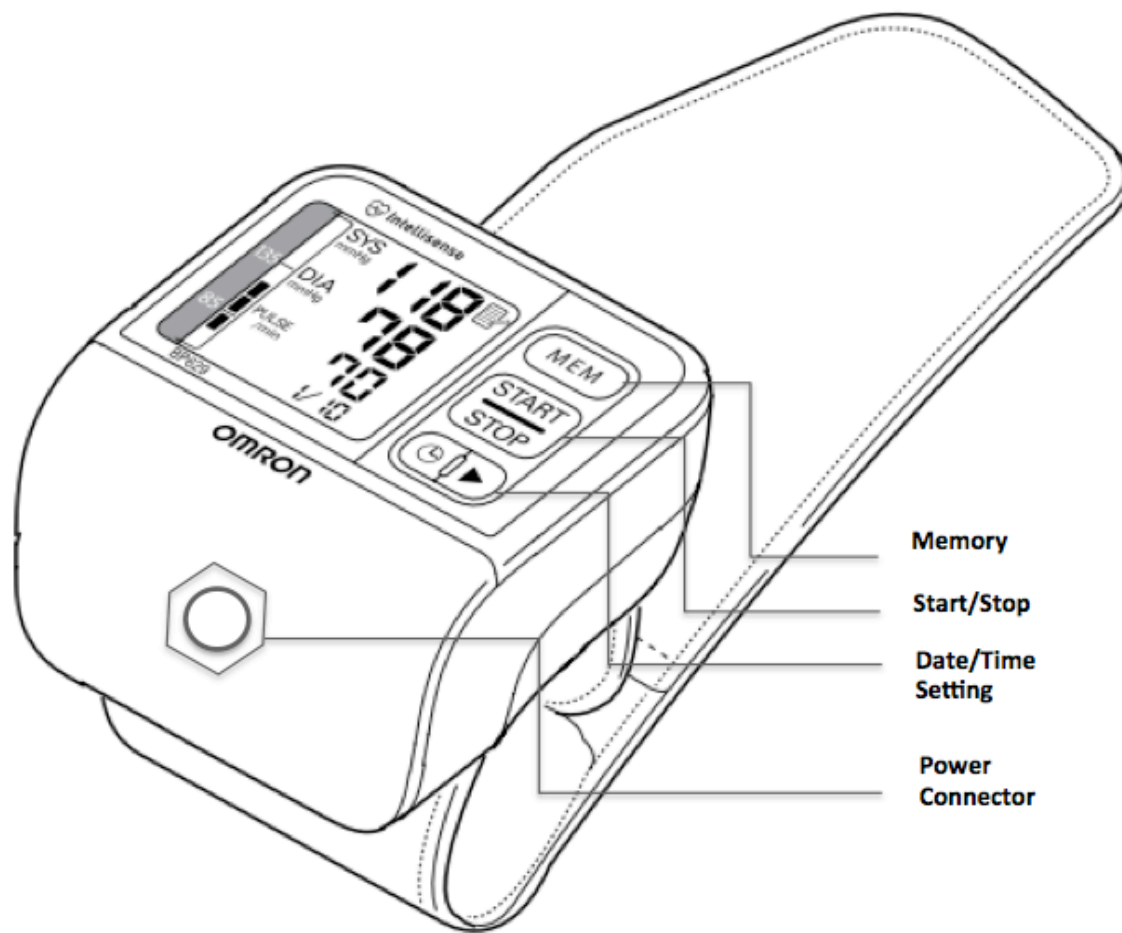


Fig.12: Wrist Blood Pressure Monitor

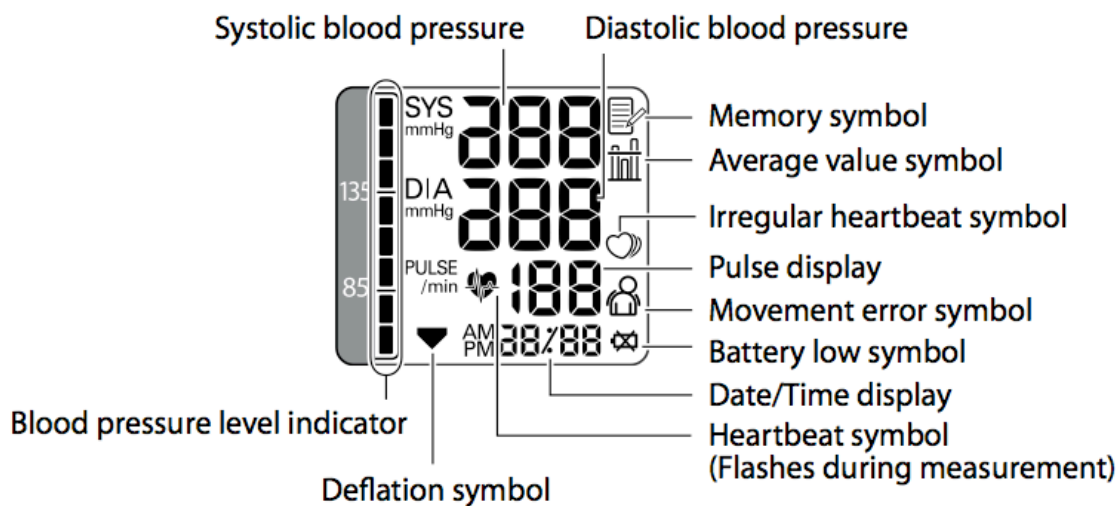


Fig.13: Display Screen

2. Taking a Measurement

- a) Wrap the cuff directly against your skin. Place the cuff over your left wrist as shown in Fig. 14. Fold the remaining part of the wrist cuff back out of the way



Fig.14: Hand Position When Taking a Measurement

- b) Sit comfortably in the chair with your feet flat and the chair in the upright position
- c) Hold your arm across your chest at heart level. Hold your elbow firmly to avoid body movement. Sit still and do not talk or move during the measurement (Fig. 15)



Fig.15: Hand Position When Taking a Measurement

- d) Press the START/STOP button

VI. TROUBLESHOOTING OF MESSAGE CHAIR



Warning: Unplug the power cord before attempting any troubleshooting or service.

LURACO iRobotics 7 Series comes with advanced state of art electronics and software technology which support self-diagnostic features to detect individual failures of critical components in the massage system. The chair has different LED indicators, which help the user to narrow down a troubleshooting failure, if any. From the Table 1 shown below, the user can find the LED location in the side of massage chair.

Table 1

LED Color/Function	Meaning
Power (Blue)	Blue is good. This LED should be on continuously
Remote Control (Yellow)	If this yellow LED is on, it means that remote has technical issue

MAINTENANCE INSTRUCTION

This product does not require any lubrication for the mechanical parts in the system. Use only leather care products for cleaning and maintaining the leather.

Table 2: Trouble Shooting Guide

Problem/Issue	Possible Cause	Trouble Shooting Method
Does not work after powered up	<ol style="list-style-type: none"> 1. Power switch is not turned on 2. Bad connection between power plug and socket 3. Massage remote is not turned on 4. Broken power cord or plug 5. Bad fuse 6. Control unit does not function properly 	<ol style="list-style-type: none"> 1. Turn power switch On (on the back) 2. Connect power cord again 3. Press power button on remote 4. Request manufacturer or service technician to replace power cord 5. Replace the fuse with exact specifications 6. Contact Technical Support of the manufacturer if it continues
Sounds like tapping or humming sounds	Sounds from air pump, motor, or other mechanical parts	Normal phenomenon
Roller height changes	Rollers work alternately	Normal phenomenon
Abnormal sounds while working	May be from over working the massage mechanism	<ol style="list-style-type: none"> 1. Cut down on usage (no more than 20 minutes per session) 2. Contact Technical Support of the manufacturer if it continues
Suddenly stops working	<ol style="list-style-type: none"> 1. Bad power connection 2. Auto program timer is up 	<ol style="list-style-type: none"> 1. Unplug and reinsert power cord to the chair 2. Normal operation
Cannot recline the chair	Obstruction-be sure that chair is allowed enough room to fully recline	Stop chair operation, and move obstruction

Cannot restore position after reclining	Bad connection.	Contact Technical Support of the manufacturer if it continues
Remote control is hot or overheats	Over recommended usage	Use only 20 minutes per session
Abnormal overheating from power wire or plug	1. System is overloaded 2. Other unknown causes	1. Cut down usage (no more than 20 minutes per session) 2. Contact Technical Support of the manufacturer if it continues


 Attention	If problem(s) are not found in the troubleshooting guide, please turn off power supply and contact the distributor or manufacturer for assistance.
--	---

Table 3: iRobotics 7 Series Specifications

Maximum User Weight	300 lbs
Recommended User Height	~7 feet
Power Consumption	~150 Watts (Max)
Recline Angle	120-170 Degrees
Roller Track Length	32 in (80 cm) (Max)
Pre-programmed Functions	9
Automatic Timer Shut-Off	20 Minutes
Leg Rest Adjustment	~ 10 inches
Chair Weight	265 lbs (120 kgs)
Max Height (Reclined)	47 in (119 cm)
Max Width (Reclined)	38 in (96 cm)
Max Length (Reclined)	81 in (205 cm)

VII. WARRANTY INFORMATION

Introduction

LURACO Technologies is dedicated to offering our valued customers the best massage chair buying experience available. As part of this commitment, the company works very hard to provide customers with the best warranty plan available. We guarantee that defective massage chairs will be repaired or replaced during the effective warranty period.

What is covered in this Warranty

a) For Home Use:

- This warranty includes part costs and labor for the first 3 years at no cost to the customer.
- This warranty includes part and labor costs covered for the first 3 years at no cost to the customer.
- Structural frame carries an additional two (2) year warranty for a total five (5) years.

Products	Application	In-House Service	Parts	Structural Frame
iRobotics 7 Series	Home Use	3 (Years)	2 (Years)	5 (Years)

b) For Commercial Use:

- This warranty includes part costs and labor for the first 6 months at no cost to the customer.
- This warranty includes part costs covered for the first year at no cost to the customer.
- Structural frame carries an additional two (1) year warranty for a total two (2) years.

Products	Application	In-House Service	Parts	Structural Frame
iRobotics 7 Series	Commercial Use	6 (Months)	1 (Year)	1 (Years)

What is NOT covered

- This warranty does not cover any loss or damage resulting from: improper installation, alterations, or modifications of original condition, or unauthorized repairs
- This warranty does not cover damage resulting from improper use of electrical/power supply, electrical disturbances, and power surges
- This warranty does not include any shipping expenses incurred
- This warranty does not apply to normal wear and tear including leather or fabric covering.
- The warranty does not apply if the product has been damaged physically, whether intentionally, accidental or neglect: including but not limited to stains, fluids, mold, water damage, animal damage, cuts, burns, loss of use during the period the product is at a repair facility, or otherwise awaiting parts or repair; and products purchased from unauthorized dealers.
- This warranty is non-transferable and applies only to the original purchaser of this product.

Implied Warranty

- Any implied warranties shall be limited to the duration of the 3-year portion of this warranty for home use and 6 month portion of this warranty for commercial use. With regard to structural frame, it is limited to the duration of the 5-year portion of this warranty for home use, and 1-year portion of this warranty for commercial use.
- In no case will LURACO be liable for incidental or consequential damages, whether such damages are claimed on account of breach of warranty, breach of contract, negligence or strict/product liability, including without limitation, damage to property (other than the product) or other economic losses.
- LURACO shall not be liable for any personal injury, property, or any incidental or consequential damages of any kind resulting from malfunctions, defects, misuse, improper installation or alteration of this product.

Extended Warranty Plan

LURACO’s massage chair comes with a high expectation of performance and reliability, which should last for many years. However, all products have a defective rate. If something does go wrong, LURACO can back it up with an available Extended Warranty Plan.

The Extended Warranty Plan provides home use customers a full 5 years of comprehensive protection for LURACO’s massage chairs. For \$395, you can rest assured that your massage chair will be taken care of as soon as possible.

Note: Extended warranty plan is only available for home use application only. We do not offer this plan for commercial use.

How to get warranty service:

- Customer must provide proof of purchase to claim any warranty.
- Customer must obtain a return authorization number in order to ship the chair to a service center.
- Customer may obtain service advice by contacting the LURACO Technologies customer service department toll-free at 1-800-483-9930

Important return Instructions

If you need to send a unit to LURACO Technologies for repair, please follow the steps below

1. Carefully pack the item in its original carton or other suitable box to avoid damage in shipping
2. Before packing your unit; be sure to enclose:
 - A. Your name with full shipping address and telephone number
 - B: A dated receipt for PROOF OF PURCHASE

Attach documentation detailing the problem you are having with your device. All shipping cost must be prepaid by the customer.

VIII. DISCLAIMERS

Limited warranty and liability: Information in this document is believed to be accurate and reliable. However, LURACO Technologies does not give any representations or warranties, expressed or implied, as to the accuracy or completeness of such information and shall have no liability for the consequences of use of such information.

In no event shall LURACO Technologies be liable for any indirect, incidental, punitive, special or consequential damages (including - without limitation - lost profits, lost savings, business interruption, costs related to the removal or replacement of any products or rework charges) whether or not such damages are based on tort (including negligence), warranty, breach of contract or any other legal theory.

Notwithstanding any damages that customer might incur for any reason whatsoever, LURACO Technologies aggregate and cumulative liability towards customer for the products described herein shall be limited in accordance with the Terms and conditions of commercial sale of LURACO Technologies.

Right to make changes: LURACO Technologies reserves the right to make changes to information published in this document, including without limitation specifications and product descriptions, at any time and without notice. This document supersedes and replaces all information supplied prior to the publication hereof.

Suitability for use: LURACO Technologies products are not designed, authorized or warranted to be suitable for use in life support, life-critical or safety-critical systems or equipment, nor in applications where failure or malfunction of an LURACO Technologies product can reasonably be expected to result in personal injury, death or severe property or environmental damage. LURACO Technologies accepts no liability for inclusion and/or use of LURACO Technologies products in such equipment or applications and therefore such inclusion and/or use are at the customer's own risk.