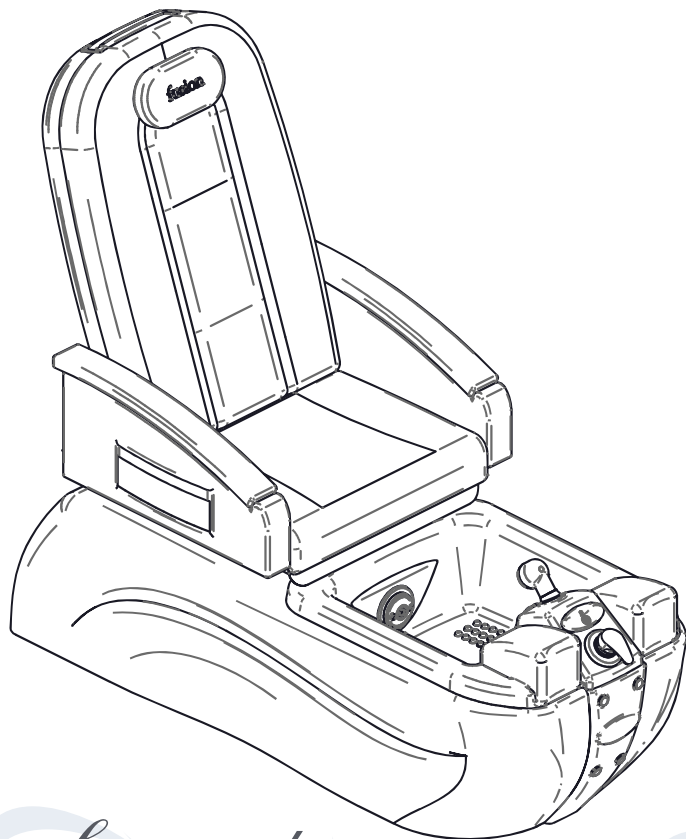
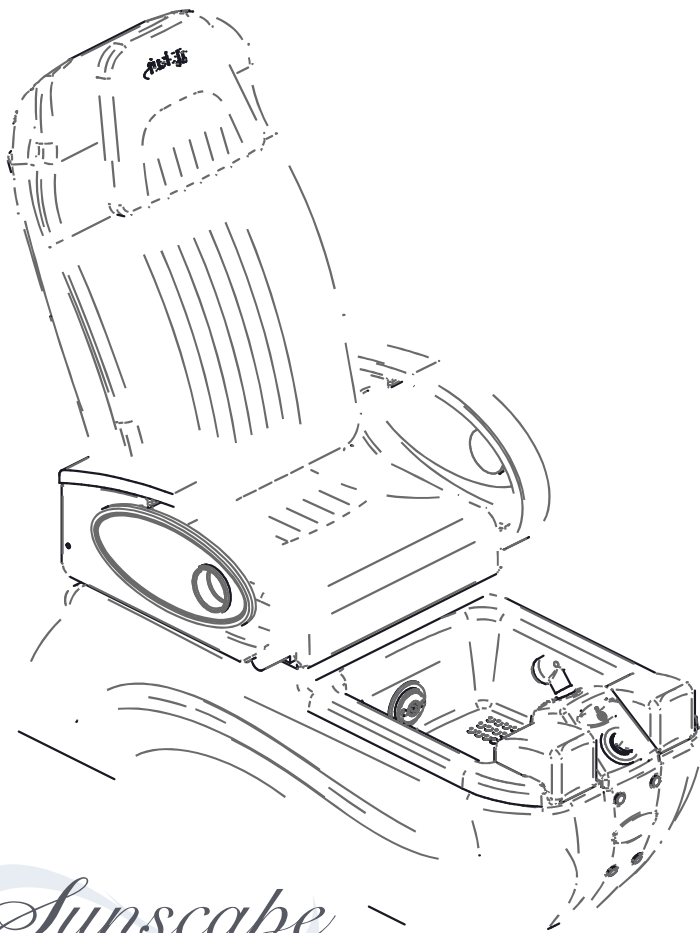


Sunscape Spa  
Owner's Manual

Read thoroughly before  
installation and use.



*Sunscape*  
with Roller and  
Vibration Massage



*Sunscape*  
with Shiatsu Massage

---

## Unpacking & Assembly of your Pedicure Spa

---

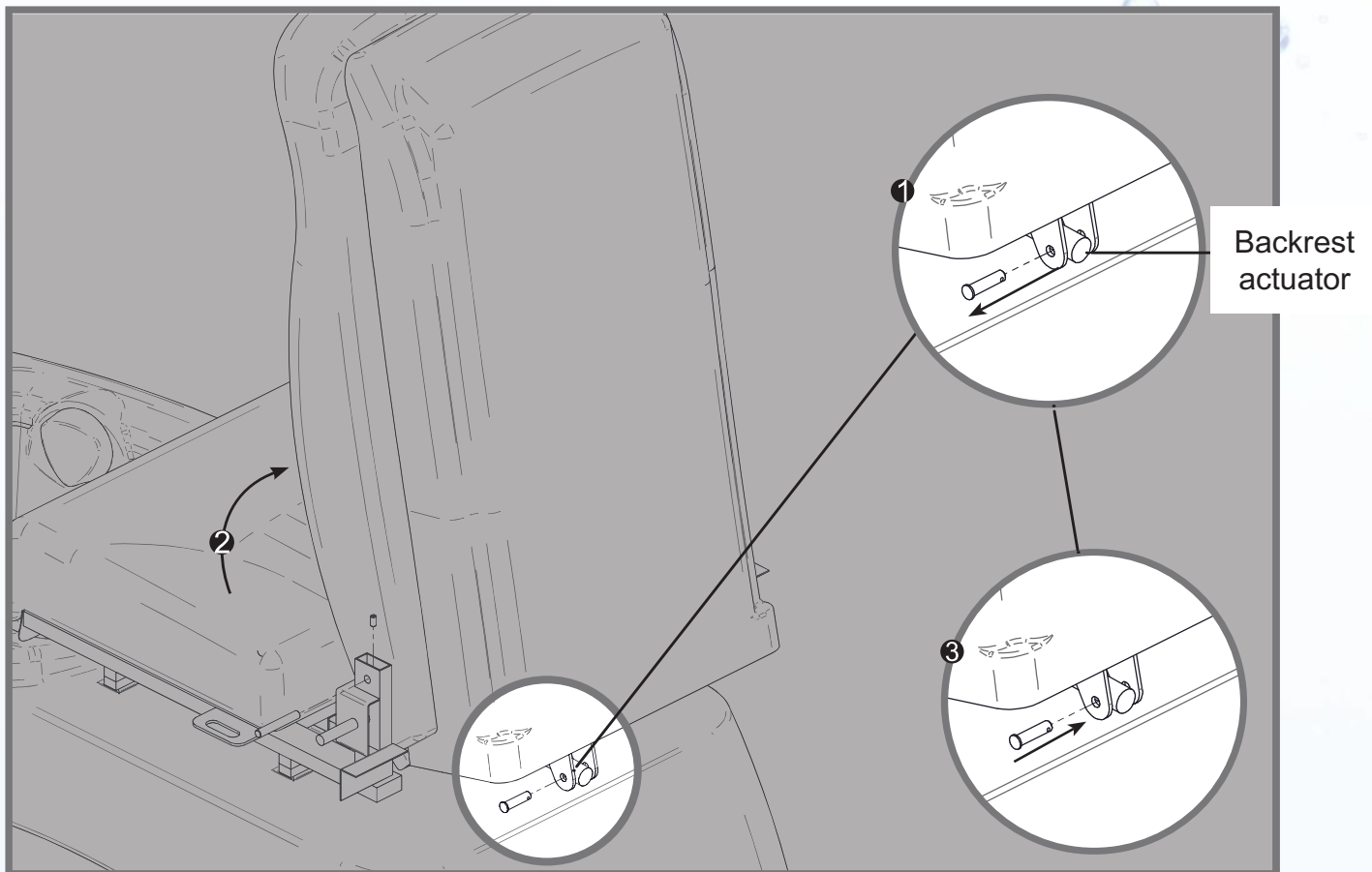
As you unpack your spa, take note to ensure the following items are included:

- Seat bottom cushion
- Head pillow
- Remote control
- If equipped with Shiatsu Massage, a back pad will also be included in the shipping carton.

If you notice an item missing, please contact Fusion Spas immediately to have the situation remedied.

Upon unpacking your Spa, some assembly is necessary. Two people are required for installation and setup of your spa.

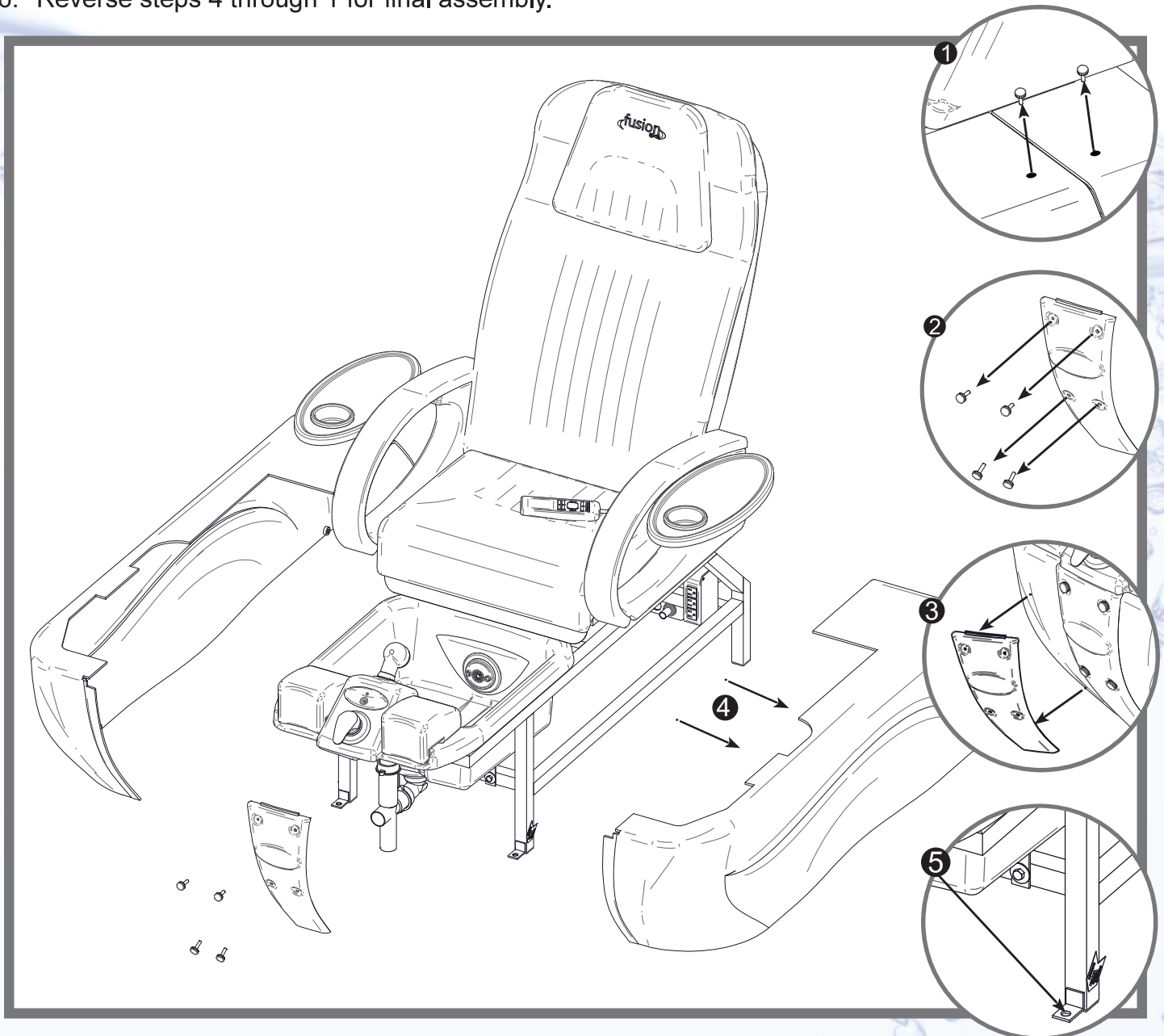
1. Locate and remove the hitch and cotter pin from the recline actuator.
2. Pivot the backrest into upright position making sure to line up the holes in the backrest bracket with the holes in the actuator.
3. Replace the previously removed hitch pin through the bracket and actuator and secure with cotter pin.



# Unpacking & Assembly of your Pedicure Spa

**Warning:** Shells & front plate must be removed prior to moving and installing the Sunscape Spa. All spas must be anchored to the floor, moving a plumbed spa will cause strain and leaks.

1. Remove two thumb screws at back of spa.
2. Remove four thumb screws on the front panel.
3. Remove the front panel.
4. Carefully remove the side panels that are attached to the frame with magnets
5. Level and anchor spa:
  - 5a. Adjust leveling feet until unit is stable and level.
  - 5b. Of the two provided mounting brackets, attach one to the front foot, the other to the opposite rear foot.
  - 5c. Attach brackets to the floor with hardware (not provided.)
6. Reverse steps 4 through 1 for final assembly.

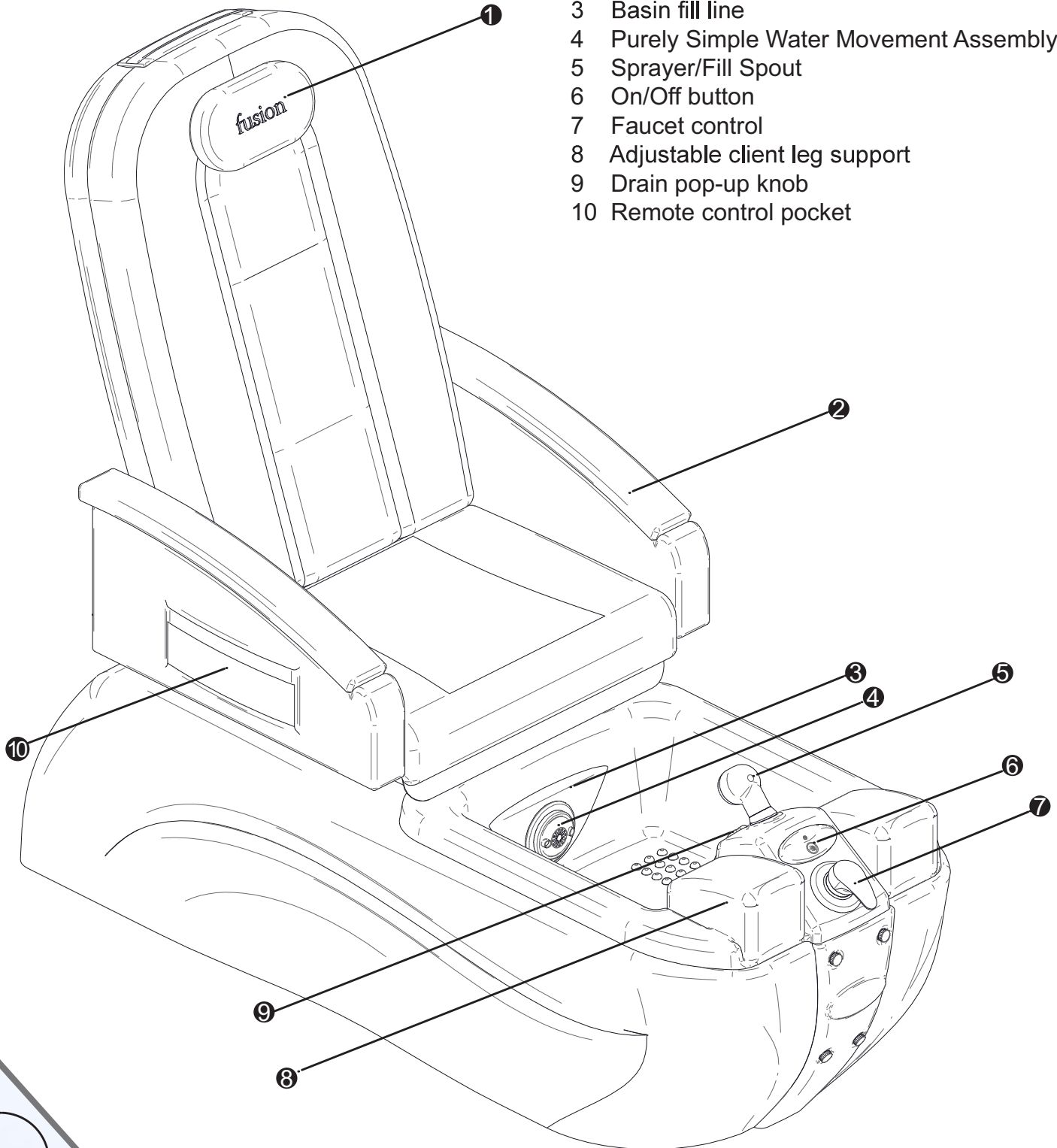


# Getting Acquainted with Your Spa

## *Sunscape*

with Roller and  
Vibration Massage

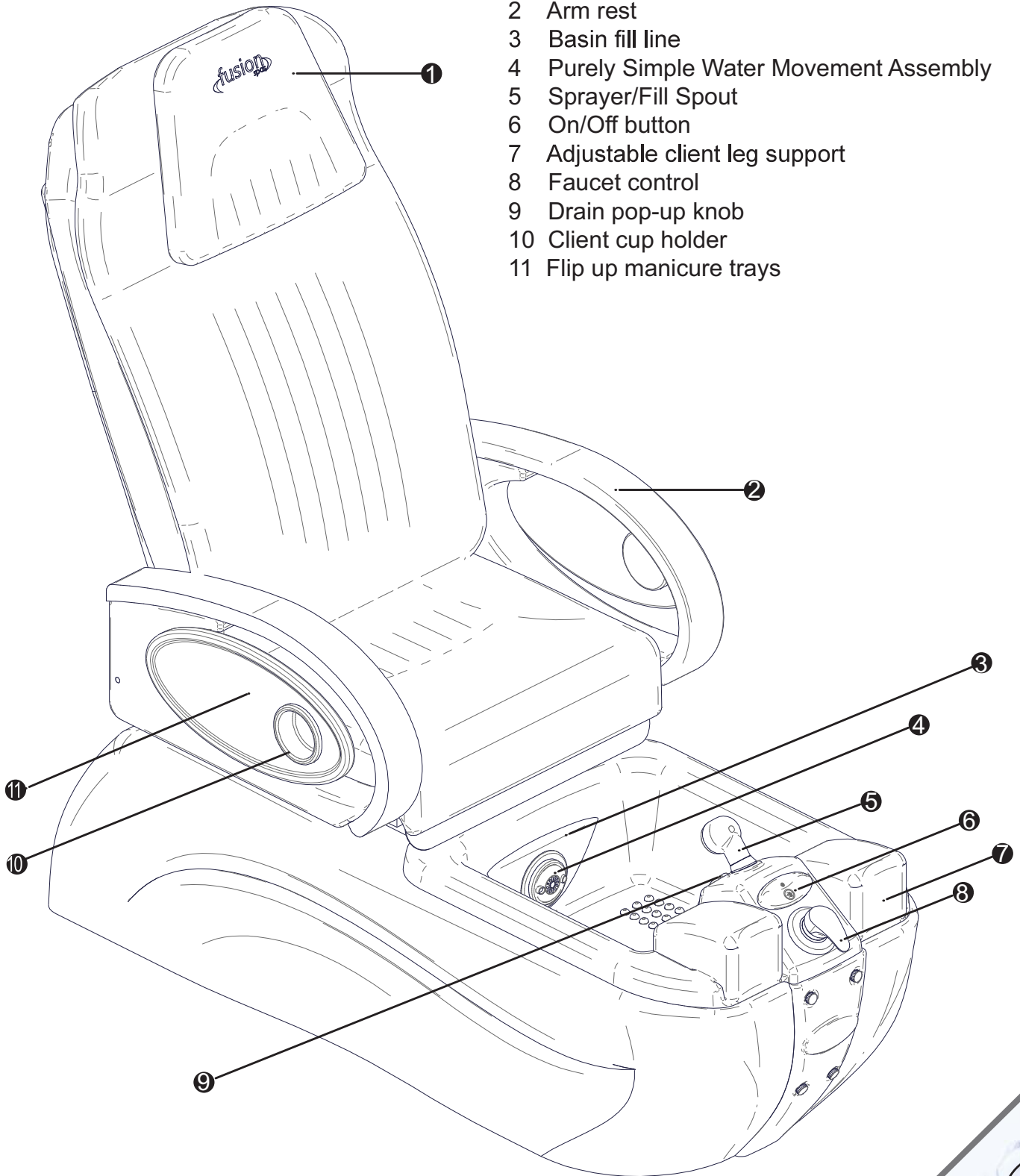
- 1 Adjustable neck pillow
- 2 Arm rest
- 3 Basin fill line
- 4 Purely Simple Water Movement Assembly
- 5 Sprayer/Fill Spout
- 6 On/Off button
- 7 Faucet control
- 8 Adjustable client leg support
- 9 Drain pop-up knob
- 10 Remote control pocket



# Getting Acquainted with Your Spa

*Sunscape*  
with Shiatsu Massage

- 1 Adjustable neck pillow
- 2 Arm rest
- 3 Basin fill line
- 4 Purely Simple Water Movement Assembly
- 5 Sprayer/Fill Spout
- 6 On/Off button
- 7 Adjustable client leg support
- 8 Faucet control
- 9 Drain pop-up knob
- 10 Client cup holder
- 11 Flip up manicure trays

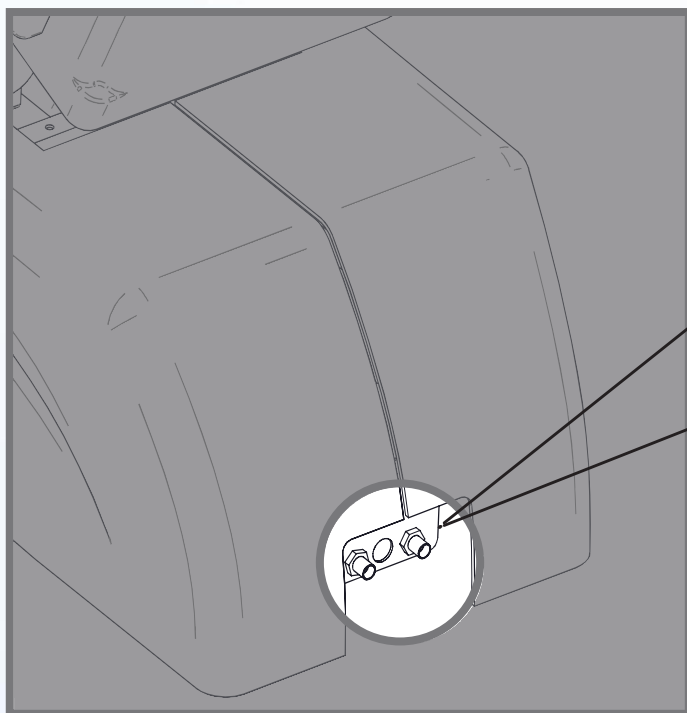


## Electrical Service

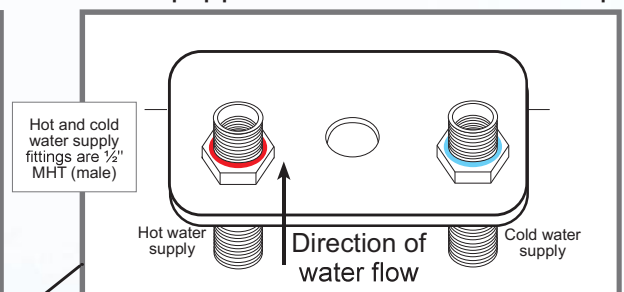
120V, 60 Hz, 7.5Amp, 900WGFCI protected grounded circuit must be used to supply power to the pedicure spa..

## Water Supply

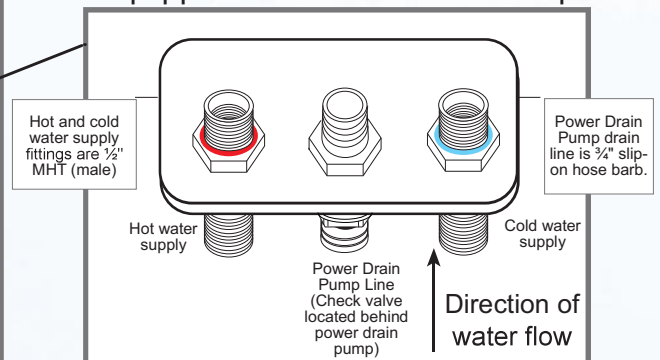
- All plumbing connections must conform to local codes.
- Water pressure must be 30 to 80 PSI for the sprayer to operate correctly.
- Maximum operating water temperature should not exceed 105° F (41° C) and the maximum supply water temperature should not exceed 120° F (49° C). (In Massachusetts, the maximum supply water temperature should not exceed 130° F (54° C)). Adjust the hot water heater accordingly.
- For hot and cold water supply fittings and power drain fittings location, see illustrations below.
- Carefully connect the incoming water supply lines to the appropriate fittings located on the back of the pedicure spa. Shut-off valves are recommended.
- The pedicure spa drain must meet local plumbing codes. (Pedicure Spa must be installed by a licensed plumber).
- **Note:** See local and state codes as to what type of drain connection is required to be made.
- Backflow Protection Devices for Faucets with Side Spray: Check valves comply with ANSI/ASME A112.18.3M, A112.18.1M, and CSA B12.
- Faucet body contains Neoperl® DW15GF and CV15-FR check valves. See Faucet illustration on page 11 for further detail.
- The drain line must be a minimum of 3/4" inside diameter from Spa to wall connection for basin to drain properly.



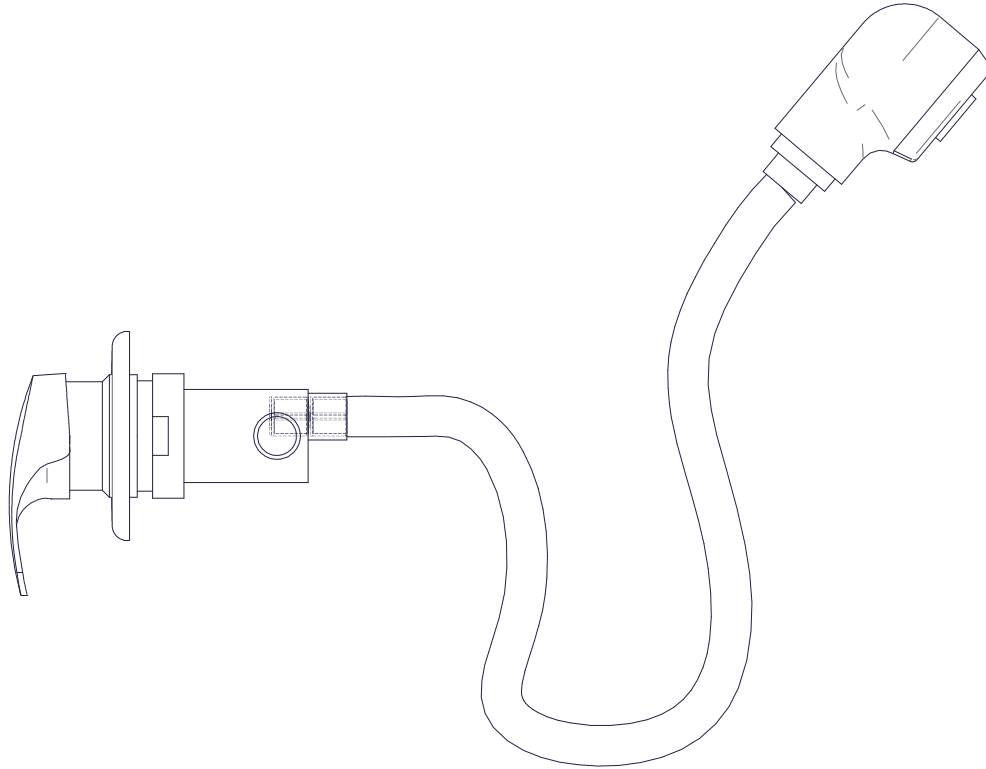
Not equipped with Power Drain Pump



Equipped with Power Drain Pump



## Water Supply



All Fusion Spas are equipped with standard backflow protection.  
Check valves comply with ANSI/ASME 112.18.3-2002 (R2008), ASME A112.181-2012/CSA B125.1-12

## Grounding Instructions



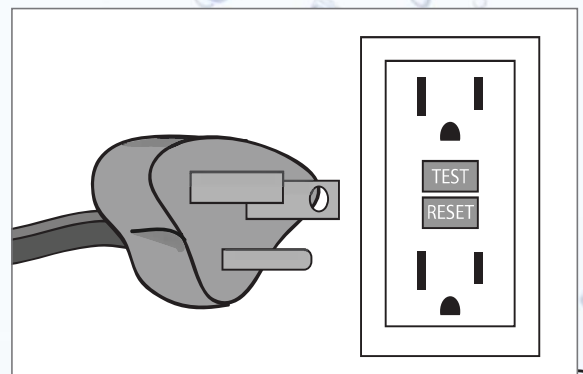
When using electrical products, basic precautions should always be followed, including the following:

**Risk of Electric Shock:** Connect only to a circuit protected by a ground-fault circuit interrupter outlet (GFCI). The unit should be installed by a qualified service representative and grounding is required.

This unit must be grounded. If it should malfunction, grounding provides a path of least resistance for electric current to reduce the risk of electric shock. This product is equipped with a cord having an equipment-grounding conductor and a grounding plug. The plug must be plugged into an appropriate outlet that is properly installed and grounded in accordance with all local codes and ordinances.

Improper connection of the equipment-grounding conductor can result in a risk of electric shock. Check with a qualified electrician or service person if there is doubt as to whether the product is properly grounded. Do not modify the plug provided with the product - if it will not fit the outlet, have a proper outlet installed by a qualified electrician.

This product is for use on a standard 120-V circuit and has a polarized grounding plug that looks like this. Note one prong is larger than the other to fit in a GFCI electrical outlet properly.



---

## Specifications

---

- Hot and cold water supply lines required (hot and cold shut offs may be installed under pedicure spa base)
- Pedicure spa must be installed by a licensed electrician and a licensed plumber, conforming to all local and national electrical and plumbing codes

All dimensions and weights are approximate.

---

## SPA INFORMATION

---

- Whirlpool pump motor: 120V / 60HZ / 1Amp
- Water Fill Line Capacity: 5.5 U.S. gallons (21 Liters)
- Seat upholstery: Polyurethane
- Seat and back motors: 24V DC Linear Actuators.
- Power source: 120V / 60HZ / 7.5Amp / 900W
- Construction: Steel Frame with ABS-backed acrylic shells and basin, pre-plumbed
- Technology: 4 water massage channels, no closed loop circulating pipes, fully drained. System employs three part assembly that twists from the basin for easy cleaning.
- Electrical switches: On/Off switch for pump. Single hand-held, low voltage remote controls for massage motors and seat forward/back position. Hot and Cold water supply lines required.
- Compliances: Conforms to UL STD 1951. Certified to CAN/CSA Std C22.2 No. 68•  
Also classified in accordance with: ASME A112.18.3-2002(R2008) ASME A112.18.1-2012/CSA B125.1-12
- Electrostatic Limits: This unit may lose one or more functions when electrostatic contact discharge in excess of 4KV gets into accessible conductive part of the unit and can be restored by resetting the unit. AC input power port and can be restored by resetting the unit. This unit may lose one or more functions when subjected to fast transient voltages in excess of 0.5KV at 5 KHz repetition frequency and cannot be restored.
- Limited warranty: See page 24 for warranty information

---

## SHIPPING INFORMATION

---

### **Sunscape Spa with Roller Massage (Model FS2013RM-WI)**

Shipping Dimensions (spa only with seat collapsed): 59"L (150cm) x 29"W (74cm) x 33"H (84cm)

Shipping Dimensions (Spa with seat collapsed,  
carton, and pallet): 67"L (170cm) x 38"W (100cm) x 43"H (109cm)

Weight: 180 lbs. (91 kg) - Spa  
230 lbs. (114 kg) - Spa, carton, and pallet

Overall dimensions, seat upright and forward: 59"L (150cm) x 29"W (74cm) x 55"H (140cm)

Minimum area required for full chair movement: 68"L (173cm) x 33"W (84cm) x 59"H (150cm)

Spa requires 8" (20.32 cm) of space between pedicure spa and wall

### **Sunscape Spa with Shiatsu Massage (Model FS2013FB-WI)**

Shipping Dimensions (spa only with seat collapsed): 56"L (142cm) x 32"W (82cm) x 33"H (84cm)

Shipping Dimensions  
(spa with seat collapsed, carton, and pallet): 67"L (170cm) x 38"W (100cm) x 43"H (109cm)

Weight: 205 lbs. (91 kg) - Spa  
255 lbs. (114 kg) - Spa, carton, and pallet

Overall dimensions, seat upright and forward: 59"L (150cm) x 32"W (82cm) x 55"H (140cm)

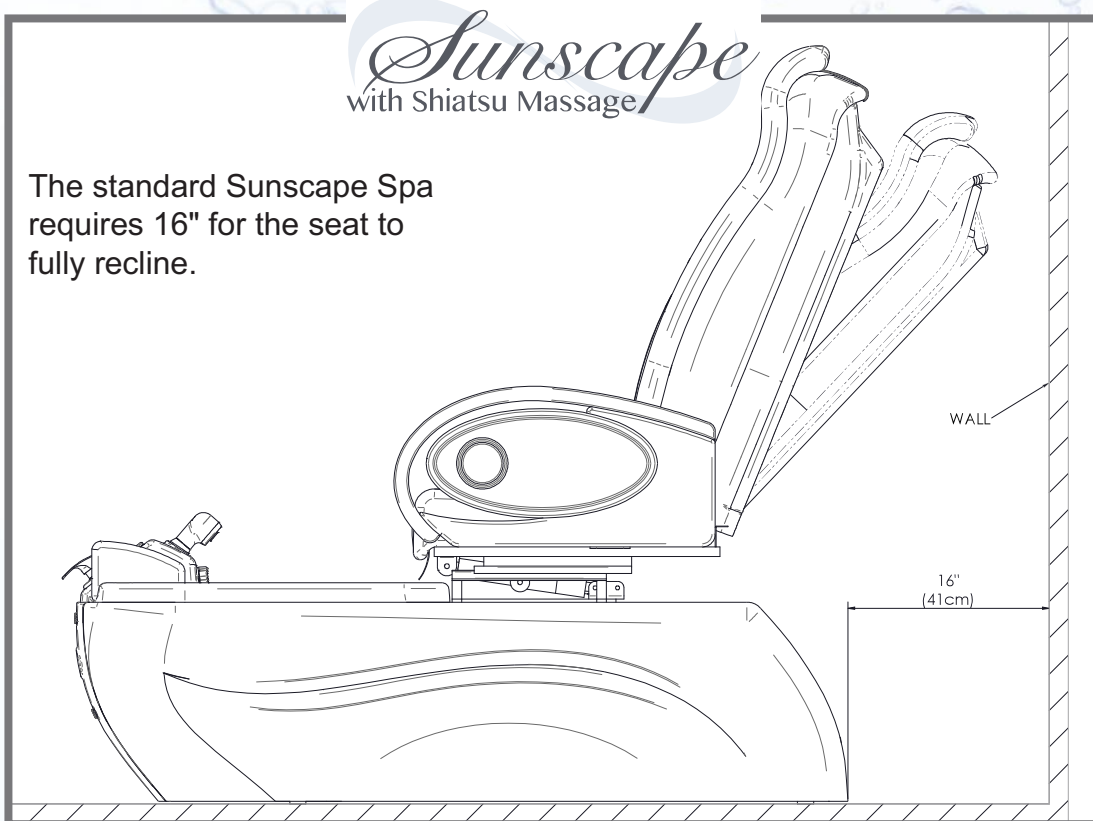
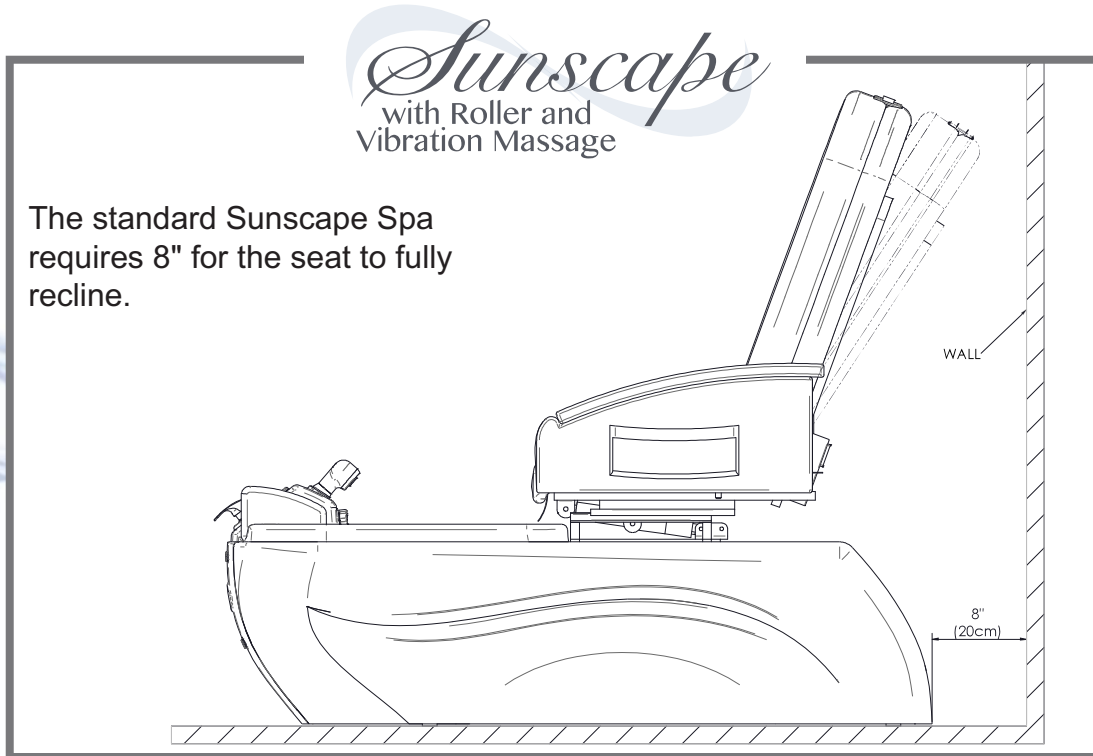
Minimum area required for full chair movement: 75"L (191cm) x 50"W (127cm) x 59"H (150cm)

Spa requires 16" (40.64 cm) of space between pedicure spa and wall

NOTE: Due to our policy of continuous improvements, all specifications are subject to change without notice.

## Selecting a Location

For your spa to work properly, the floor underneath must be level and the structure below must be capable of supporting the occupied unit.

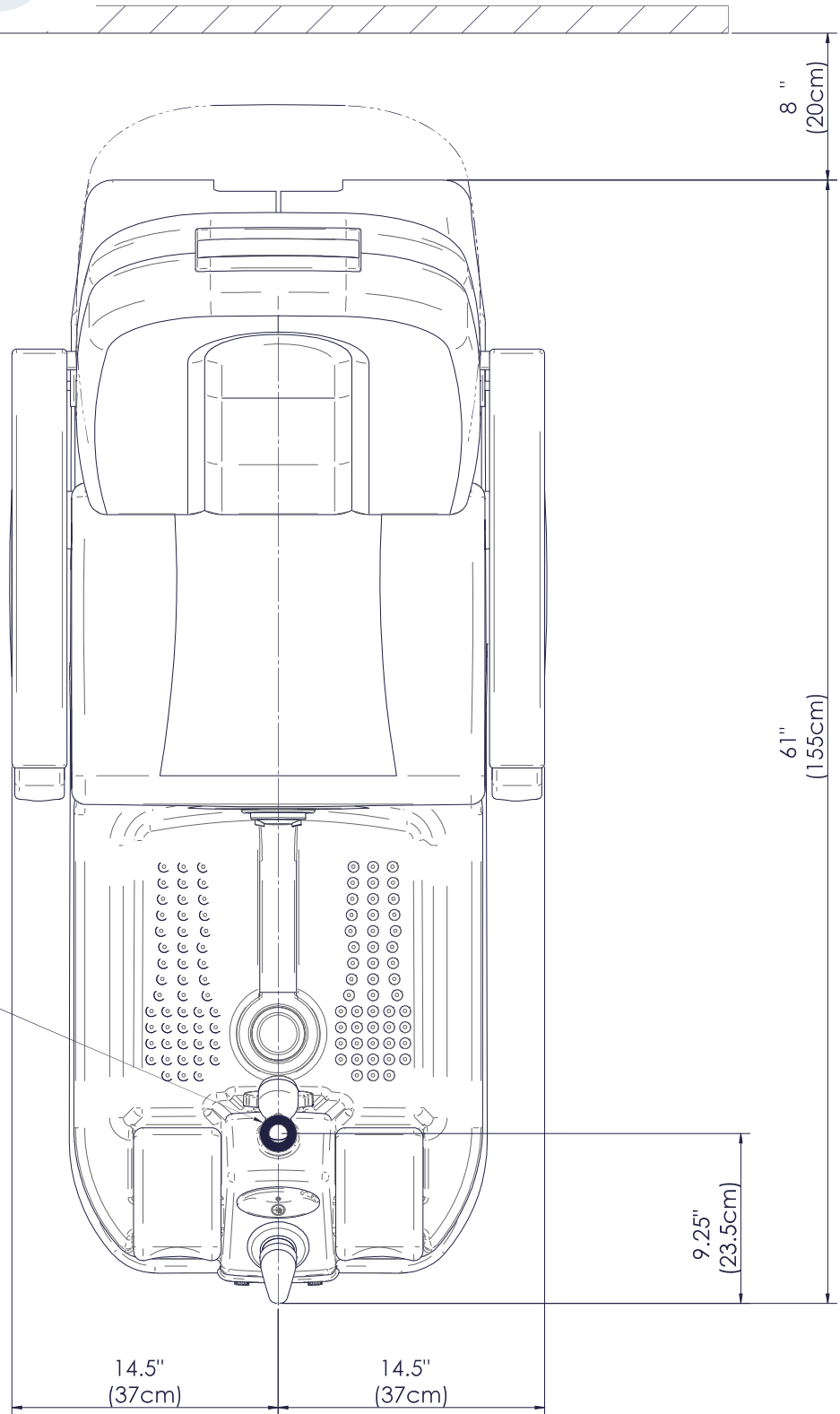


# Sunscape Spa Installation Drawings & Instructions

*Sunscape*  
with Roller and  
Vibration Massage

Note: Cutting end off of electrical plug to hard wire the spa is not recommended and doing so will void the warranty.

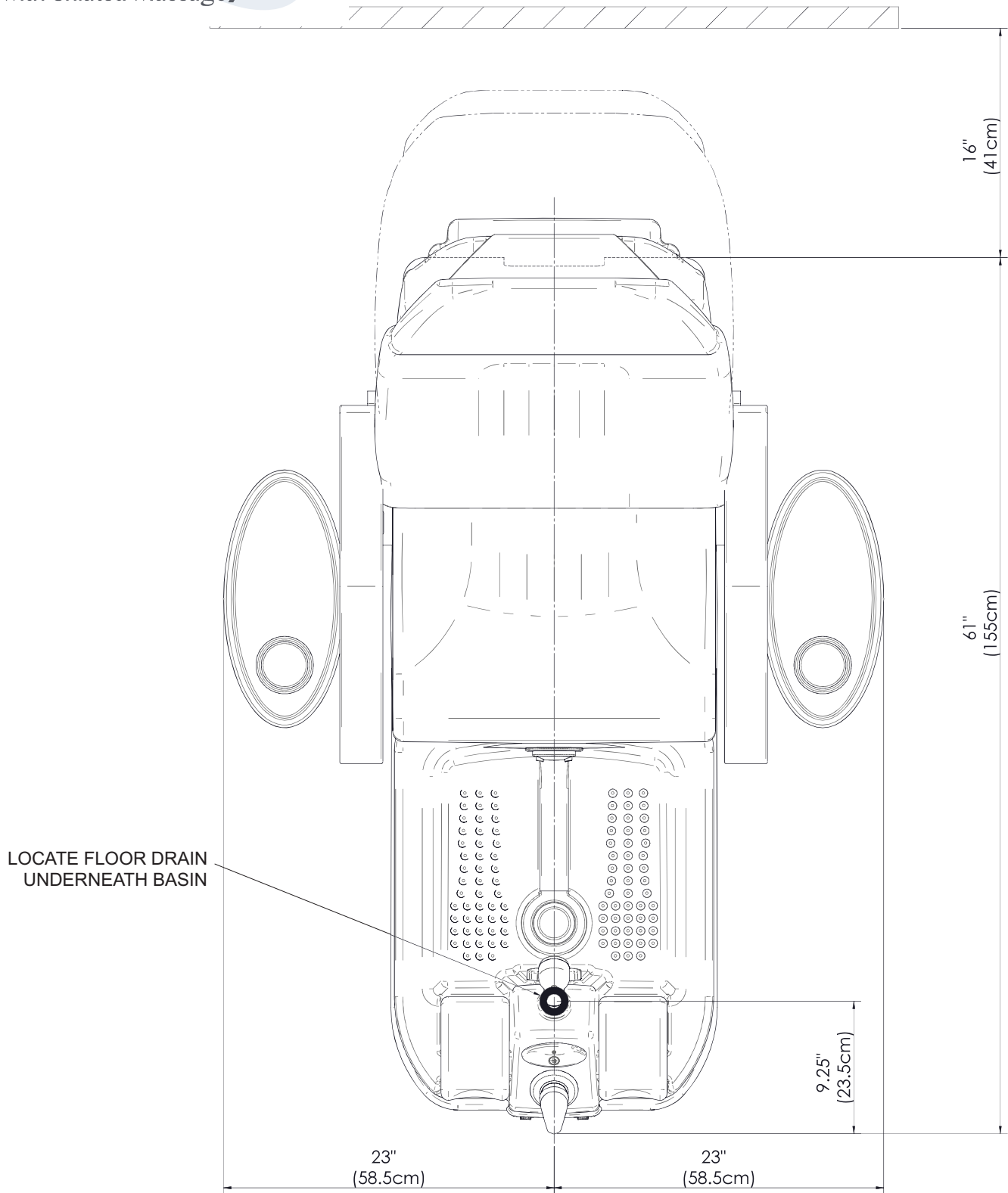
LOCATE FLOOR DRAIN  
UNDERNEATH BASIN



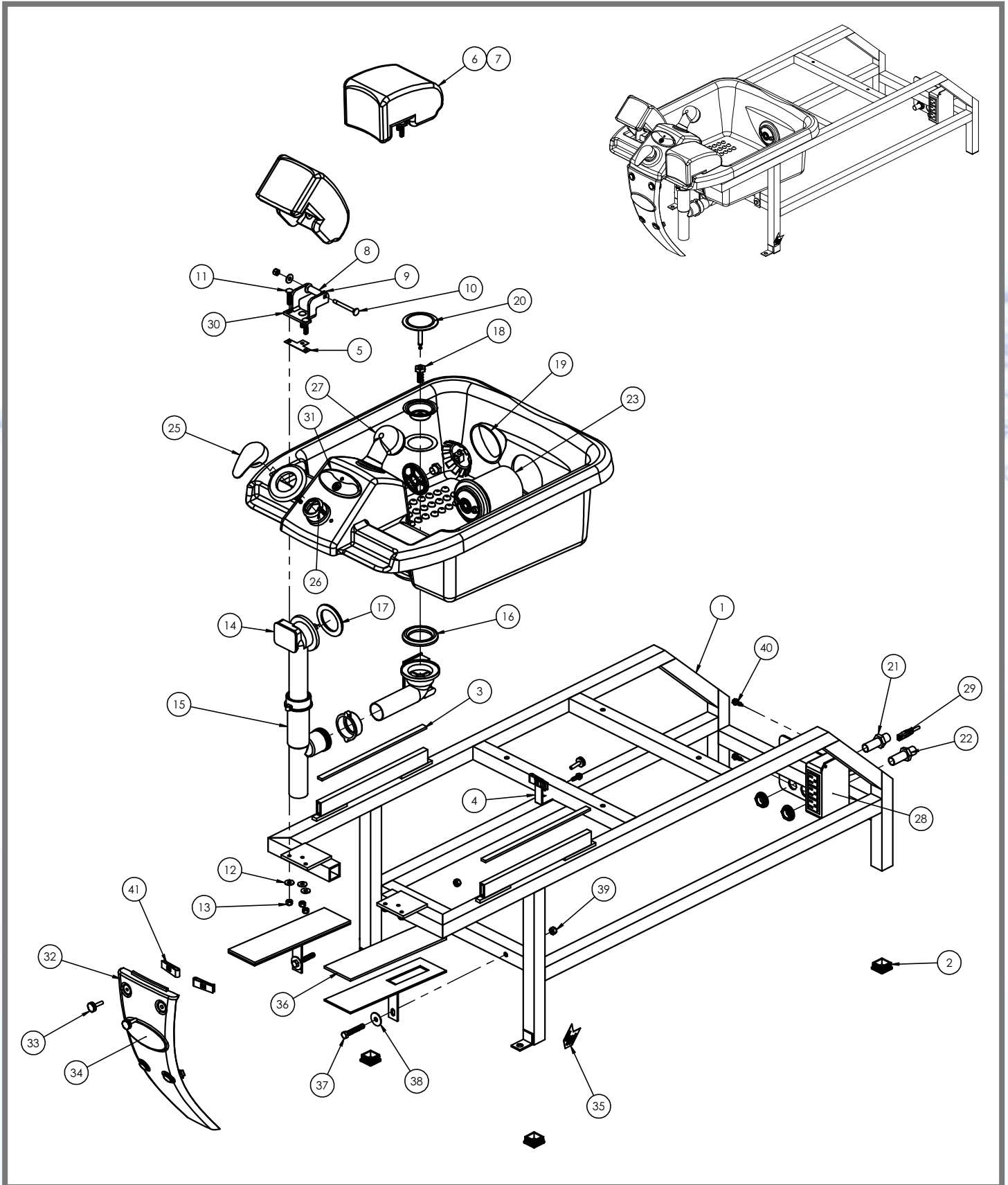
# Sunscape Spa Installation Drawings & Instructions

*Sunscape*  
with Shiatsu Massage

Note: Cutting end off of electrical plug to hard wire the spa is not recommended and doing so will void the warranty.



# Sunscape Spa Part Breakdown



# Sunscape Spa Part Breakdown

Description	Part Number
1 Frame Assembly	3000400
2 Square Tube Plug	3000100
3 Upper Basin Support Gasket	3000200
4 Rear Basin Support	3000250
5 Footrest Bracket Gasket	1000223
6 Footrest Bracket (upper)	1000225
7 Footrest	1000222
8 Footrest Swivel Spacer	1000215
9 Nylon Washer	910014
10 2 ½" Carriage Bolt	910007

Description	Part Number
11 1 ¼" Carriage Bolt	910008
12 Fender Washer	910015
13 Nylon Lock Nut	910002
14 Waste Shoe	1000200
15 Waste Tee	1000201
16 Waste Shoe Gasket	1000202
17 Waste Shoe Gasket (upper)	1000210
18 Waste Shoe Nut	1000203
19 Drain Handle Set	1000205
20 Waste Plunger and Strainer Set	1000206

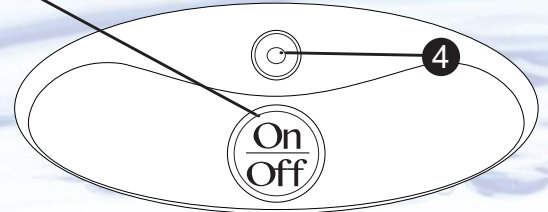
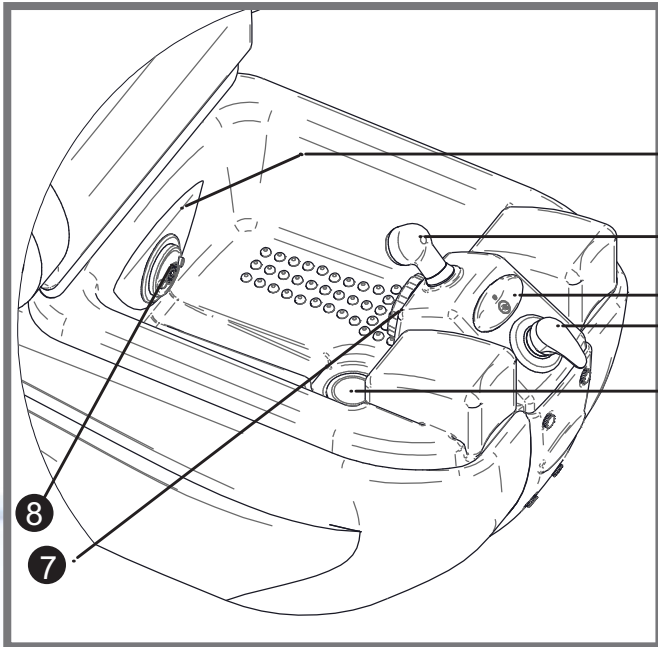
Description	Part Number
21 Cold Water Bulkhead	1000208
22 Hot Water Bulkhead	1000209
23 Pipefree Motor	1000010
24 Clear Hose*	1000216
25 Faucet Assembly	1000001
26 10-S1 x 1" Machine Screw	910020
27 Dual Function Sprayer Set	1000207
28 Electric Control Box	1000302
29 Jet Box Cable	1000303
30 Footrest Bracket (lower)	1000218

\*#24 Not shown

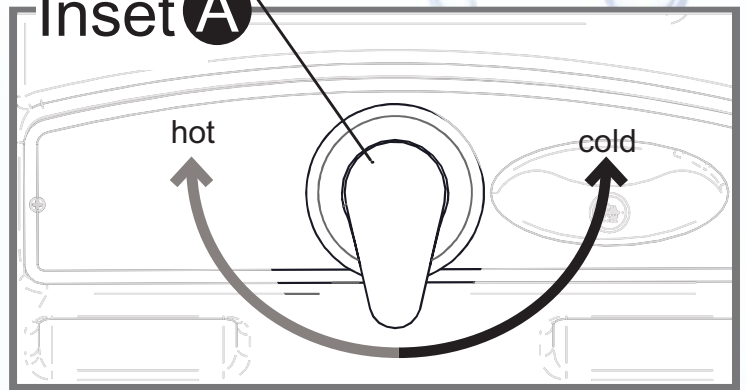
Description	Part Number
31 Control Button	1000300
32 Front Plate	3000360
33 ¼" Thumb Screw	3000101
34 Decal	1000151
35 Anchor Decal	1000153
36 Basin Support Gasket	1000224
37 5/16" Hex Bolt	910011
38 5/16" Fender Washer	910012
39 5/16" Lock Nut	910003
40 #12-14 x ¾" Screw	910023
41 ¼"-20 U Nut Clip	910017

# Sunscape Spa Technician Controls

- 1 Basin fill line
- 2 Sprayer/faucet
- 3 On/Off button
- 4 On/Off Indicator light
- 5 Faucet control
- 6 Drain Pop-Up
- 7 Drain Pop-Up knob
- 8 Purely Simple Water Movement Assembly

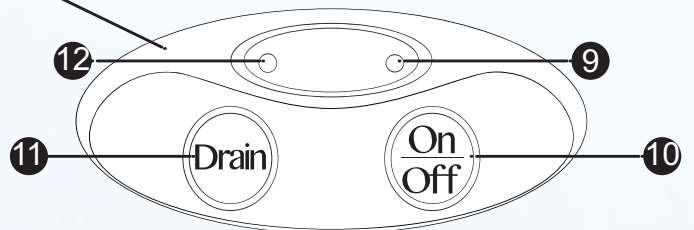
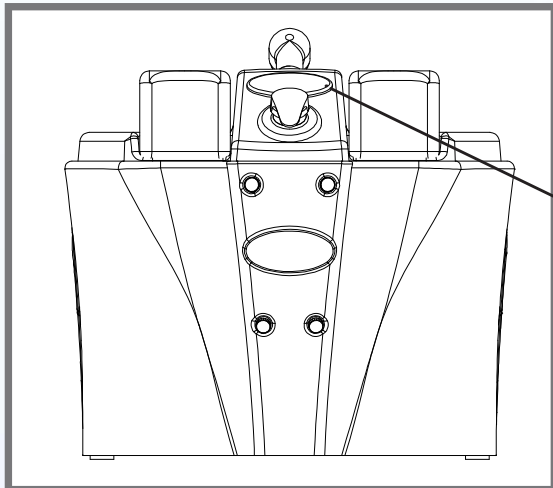


## Inset A



# For Spas Equipped with Power Drain Pump

- 9 On/Off indicator light
- 10 On/Off button
- 11 Power Drain Pump On/Off button
- 12 Power Drain Pump indicator light



---

## Basic use of your Sunscape Spa

---

Pull Faucet control handle (5 on previous page) on the front of the pedicure spa up to begin water fill. Use this handle to adjust water temperature.

- Rotate handle to the left for hot water.
- Rotate handle to the right for cold water.

See Inset A for more detail.

Close drain by turning the Drain Pop-Up Knob located behind the sprayer/faucet on the inside of the basin. (2 on previous page.) Drain Pop-Up, 6 will close.

Water begins flowing from the sprayer/faucet, 5.

When basin fills to water fill line 1 turn water off by pushing faucet control in towards spa.

Press On/Off button, 3 one time to begin Purely Simple Water Movement. Indicator light, 4 illuminates to show Water Movement is on. Water movement is powered by the Purely Simple Water Movement Assembly 8 located at the back of the basin.

Press On/Off button again to turn water movement off.

To empty basin at the end of pedicure service, turn Drain Pop-Up knob the other direction to open Drain Pop-Up.

---

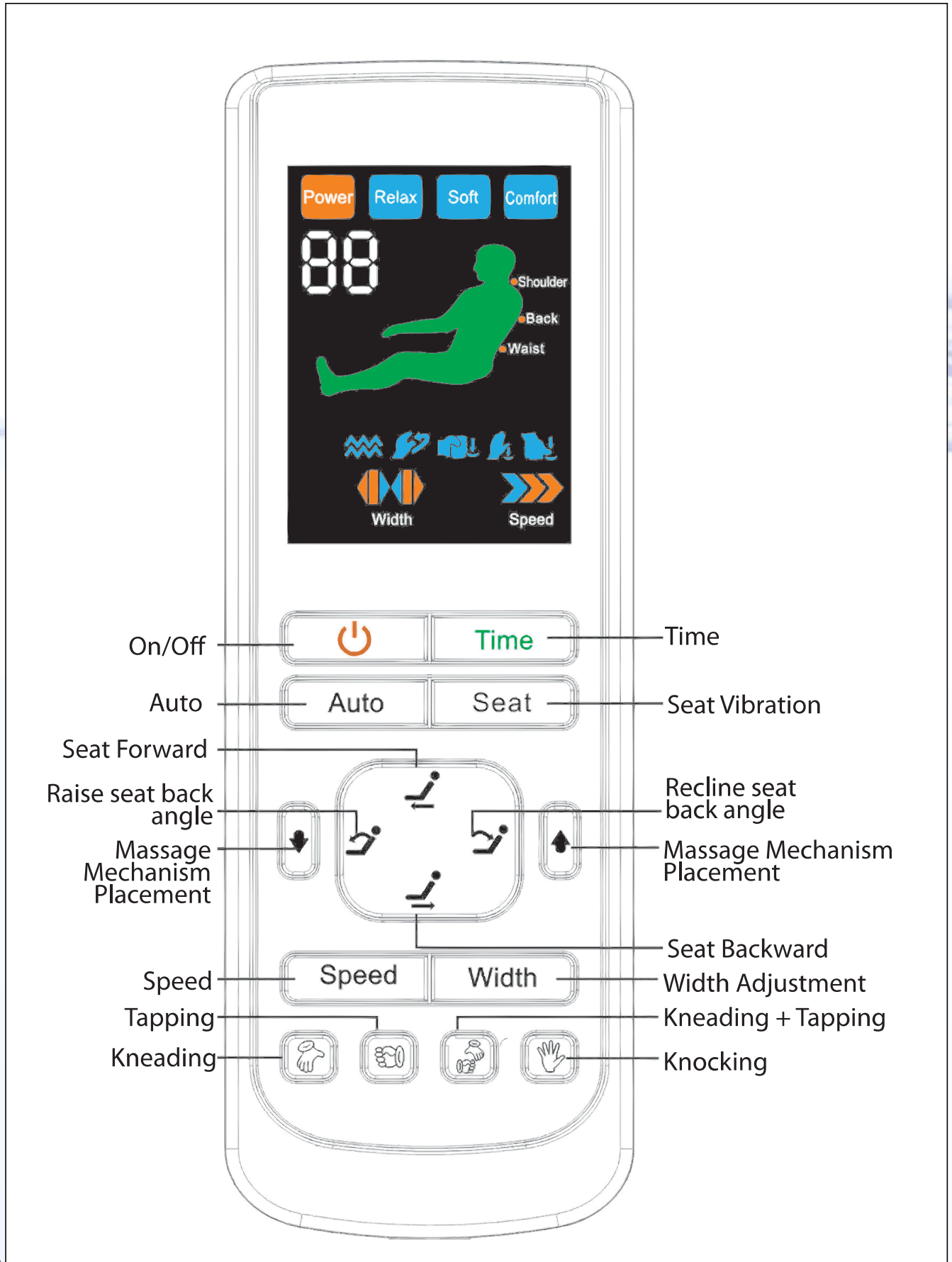
## For Spas Equipped with Power Drain Pump

---

Follow directions above. When equipped with Power Drain Pump, press Drain Button, 9 one time to begin draining basin. An indicator light will illuminate, 12 and water will leave the basin via the drain located at the bottom of the basin. You will hear the sound of the Power Drain Pump while it is on. Press the button again to turn off Power Drain Pump when basin has been emptied of water. Power Drain Pump will disengage and the light will turn off.

If Power Drain Pump is not manually turned off, it will automatically turn off after 3 minutes.

# Client Controls



On/Off



Time

Time

Auto

Auto

Seat

Seat Vibration

Seat Forward

Raise seat back angle

Massage Mechanism Placement

Recline seat back angle

Massage Mechanism Placement

Speed

Speed

Width

Seat Backward

Width Adjustment

Tapping

Kneading

Kneading + Tapping

Knocking

---

# Client Controls

---



On/Off: In standby mode, press On/Off key to start auto/manual body massage, default setting time is 20 minutes (when time is up, the massage mechanism will stop working and move to lower backrest area).

Press On/Off key, the chair enters "turning off" status, the massage mechanism will move to the bottom of the backrest, LCD screen shows 00 which means Turning Off.

## Time

Default setting time when turning on is 20 minutes. Press "TIME" key again, the screen shows 10-20-30 minutes. After time is set, the screen shows every minute of diminishing time until 00 is reached, which means Turning Off.

## Auto

Press AUTO key, the massage mechanism will start auto massage or stop auto massage. Three modes under auto status: relax - soft - comfort. Indicators on the screen illuminate accordingly.

## Seat

Press this key to start seat vibration function. Press again, the vibration will stop. When vibration is on, the control will illuminate accordingly.



Hold this key in, the seat will move forward until foremost position is reached. Release the key, the movement stops.



Hold this key in, the seat will move backward until backmost position is reached. Release the key, the movement stops.



Hold this key in, the back rest will sit up until maximum incline is reached. Release the key, the backrest stops movement



Hold this key in, the back rest will recline until maximum reclination is reached. Release the key, the backrest stops movement.



Using "Manual Mode," during rolling or fixed point, press this key, the massage mechanism will move up. Release this key, the massage mechanism stops movement. This key has no response under Auto Mode.



Using "Manual Mode," during rolling or fixed point, press this key, the massage mechanism will move down. Release this key, the massage mechanism stops movement. This key has no response under Auto Mode.

## Speed

Using "Manual Mode," during kneading, tapping + kneading and knocking, press this key to adjust massage speed from slow - medium - fast. Indicator on the remote's LCD screen will illuminate accordingly. This key has no response under Auto Mode.

## Width

Using "Manual Mode," during tapping, rolling + tapping, press this key to adjust width between two rollers from narrow - medium - wide. Indicator on the remote's LCD screen will illuminate accordingly. This key has no response under Auto Mode.



Press kneading key, the massage mechanism will begin kneading massage. Indicator on the remote's LCD screen will illuminate accordingly.



Press kneading + tapping key, the massage mechanism with start kneading and tapping massage. Indicator on remote's LCD screen will illuminate accordingly.



Press Tapping key, the massage mechanism will begin Tapping massage. Indicator on remote's LCD screen will illuminate accordingly.



Press Knocking key, the massage mechanism will being Knocking massage. The indicator on remote's LCD screen will illuminate accordingly.