



SpaSalon.us
wholesale

MS

OWNER'S MANUAL

Please read user's Manual thoroughly
before using pedicure spa



After Service Inquiry Form

Please use inquiry form as all service request
(Fill out all blanks and Fax or email us, our A/S Dept. will call you promptly)



Distributor Name: _____

Date _____

Phone Number: _____

Contact Person: _____

Salon Name: _____

Address: _____

Phone Number: _____

Alternate Phone Number: _____

Contact Person: _____

Best time to reach: _____

Serial Number: _____

Brief Description of Problem: _____

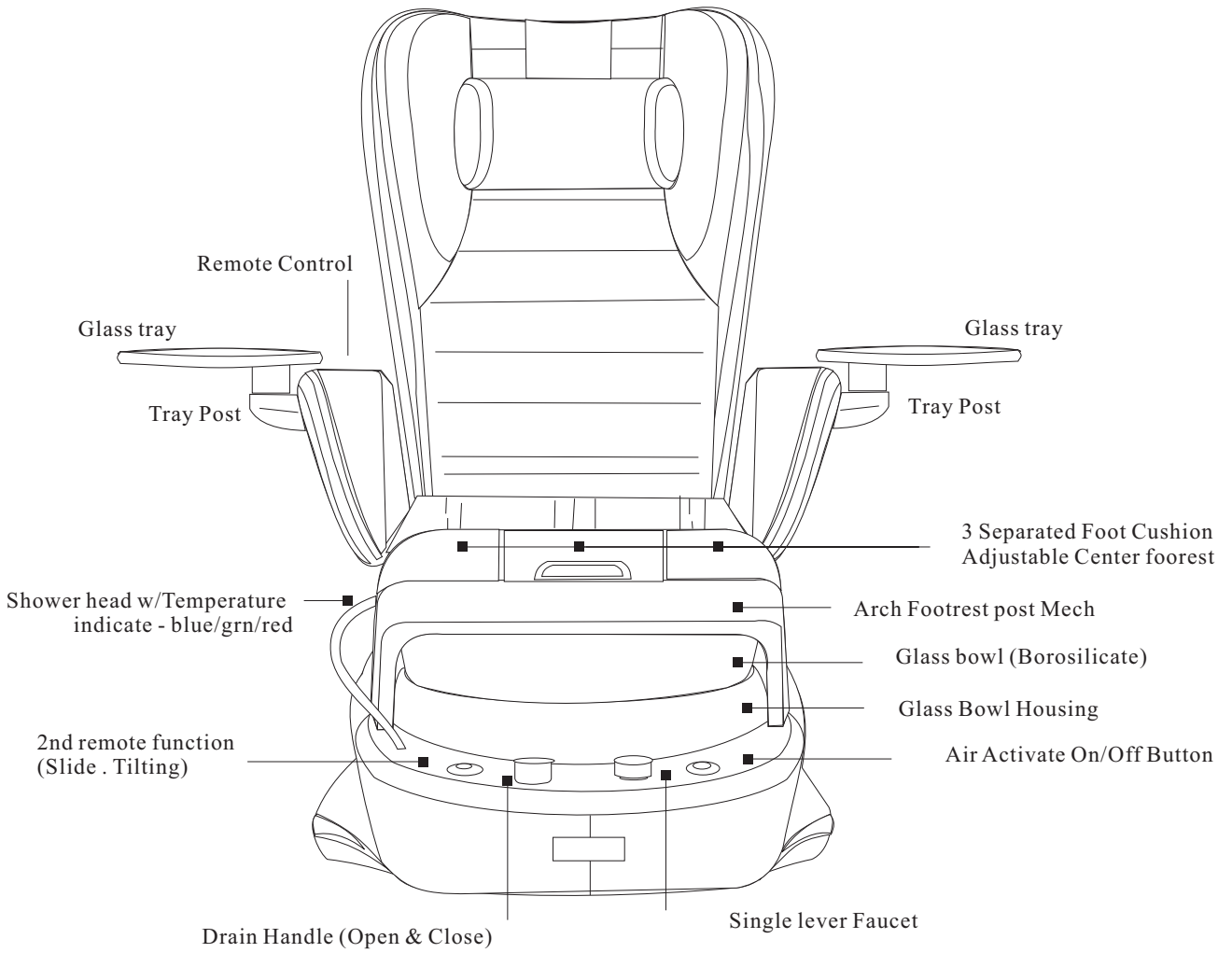
J&A Service Official Use Only

Technician Name: _____

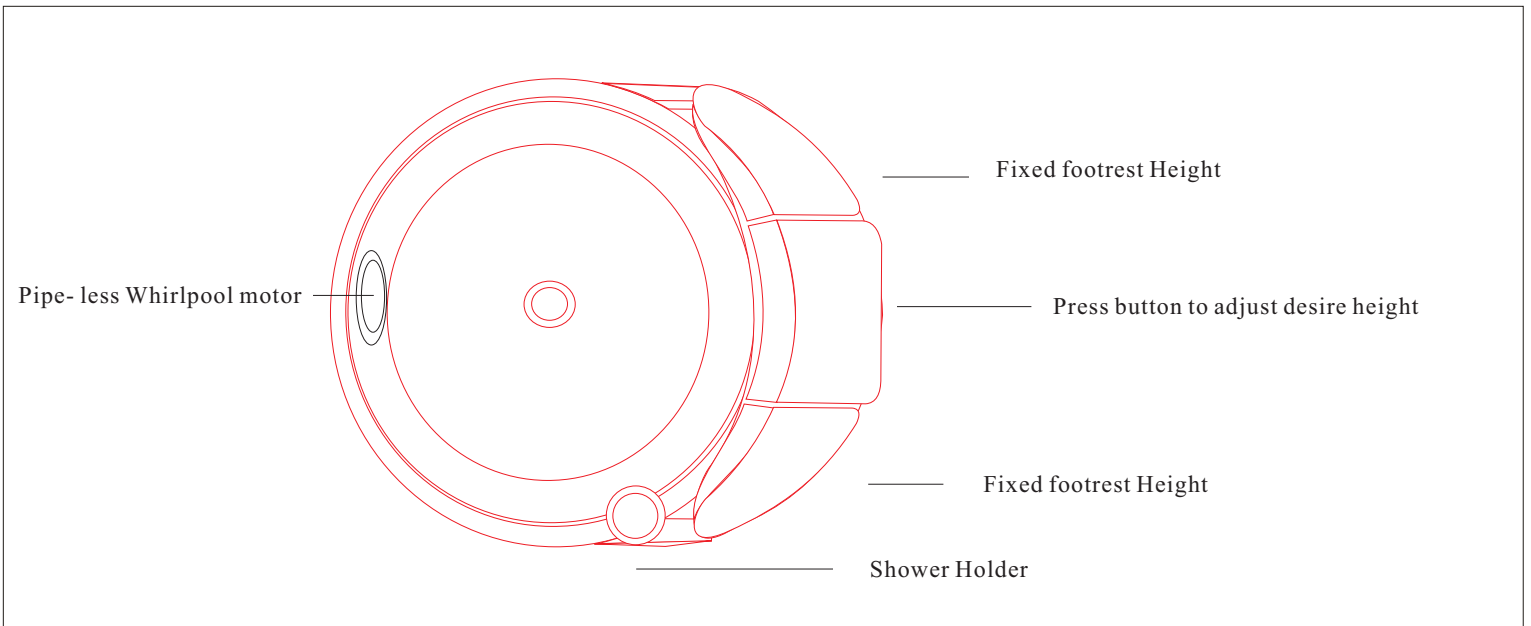
Date: _____

Service Status: _____

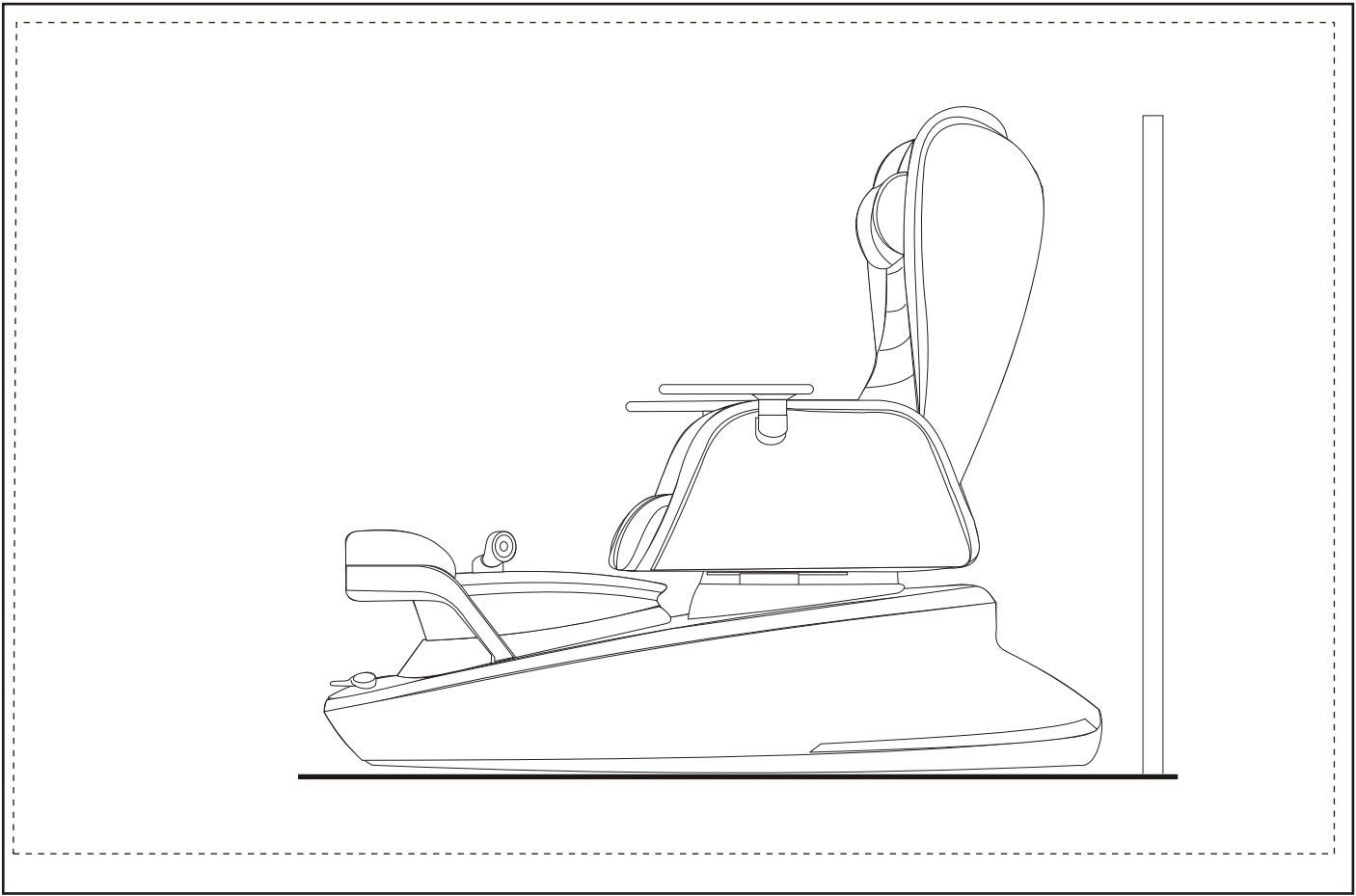
IDENTIFICATION



BASIN



Specification



CAUTION: Pedicure spa must be installed by a licensed electrician and a licensed plumber, conforming to all local and national electrical codes.

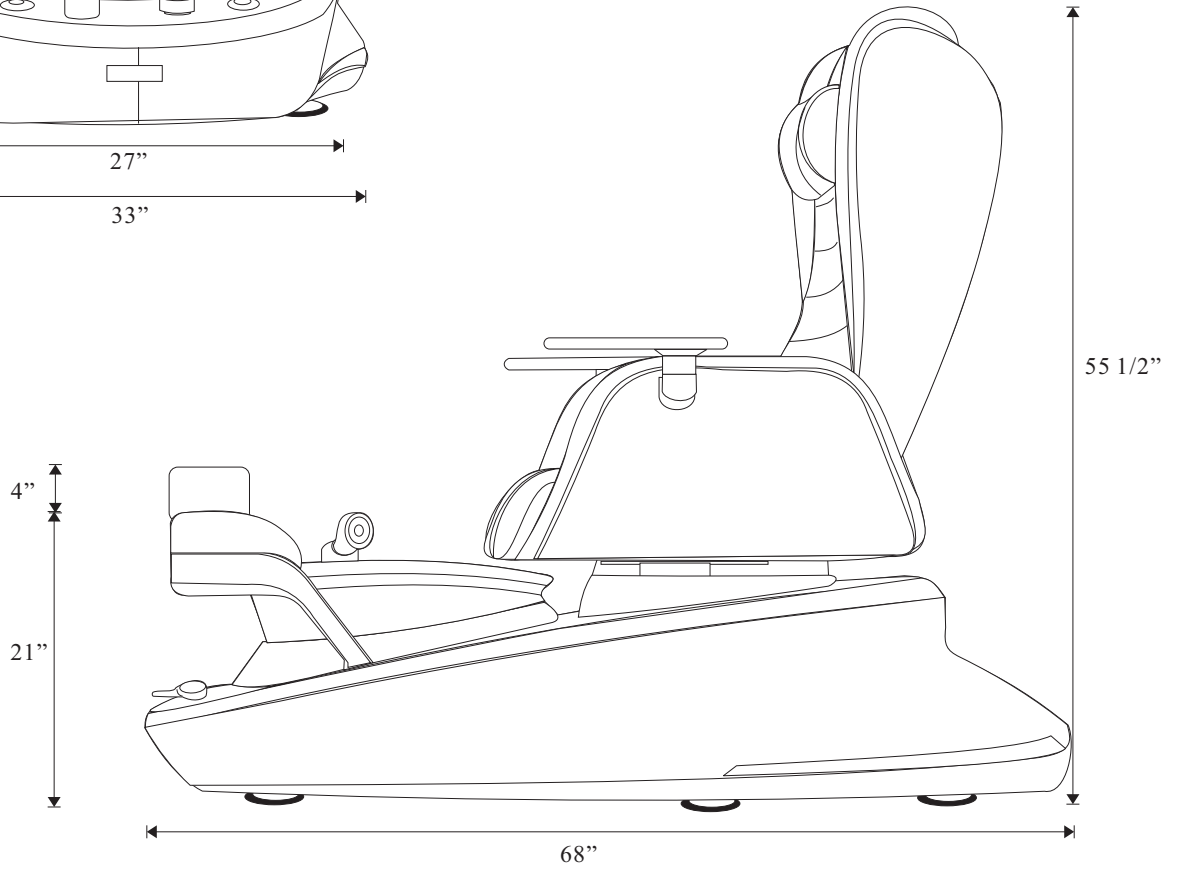
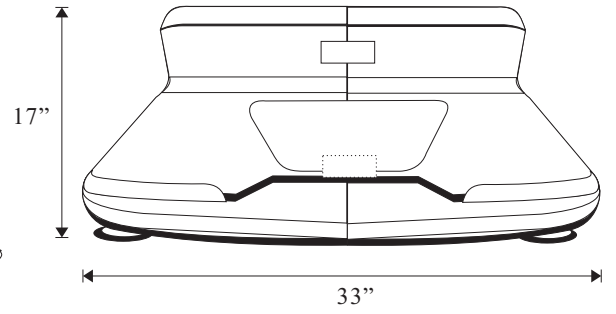
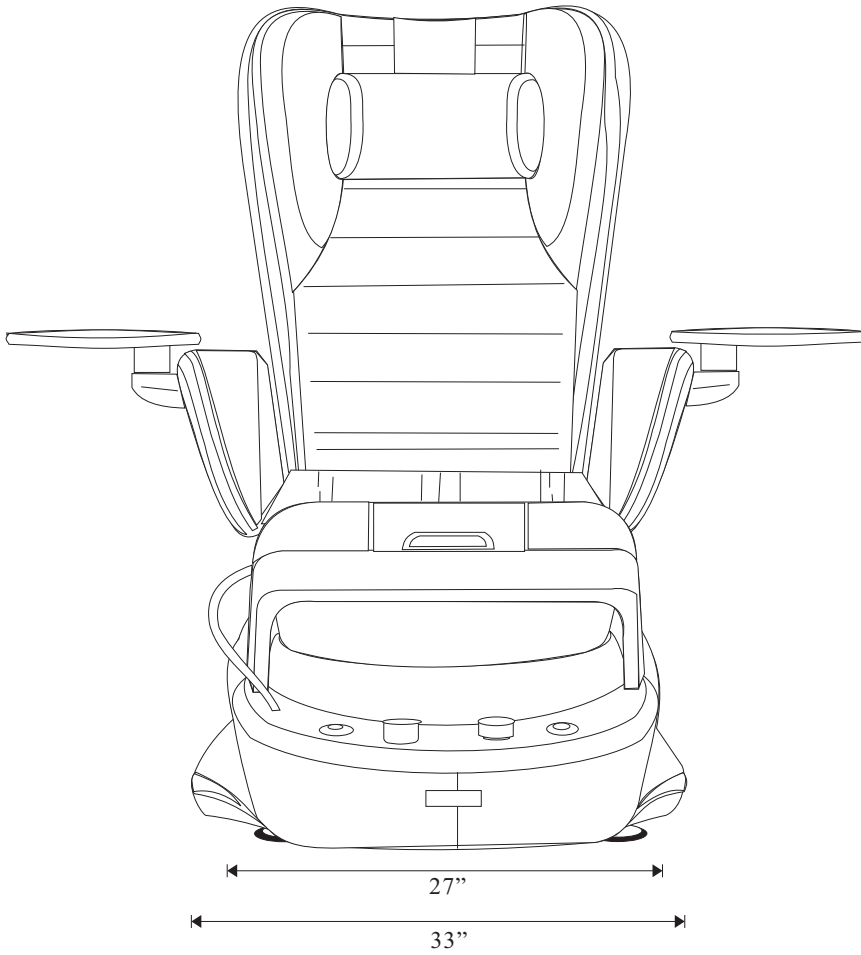
Dimension & Weight	Lenox - MS Pedicure Spa	68"L x 33"W x 55"H	380 Lbs
Capacity of Tub	Borosilicate Glass bowl	4.5 U.S Gallons.	
Switch		On/Off Air Activated Switch	
Power Source	Dedicated 15 Amp. GFCI protected Ground outlet Magna-Jet Pipelss Massage System	115 Vac. 60Hz. 15 Amp. 120 Vac. 60Hz.	
Plumbing	Hot Water Cold Water Drain	0.5 inches (Fitting Provided) 0.5 inches (Fitting Provided) 1.5 inches (See detailed instruction)	
Warranty	Epi - Lenox Pedicure Spa	One year Parts and labor	

All J&A products are equipped with Backflow Protection Device (See detail in Page 26)

Due to continuous improvement on all our products, followings are subject to change without notice: specification, characteristics, packing, information, color and design

Dimension

12.5" 28" 12.5"

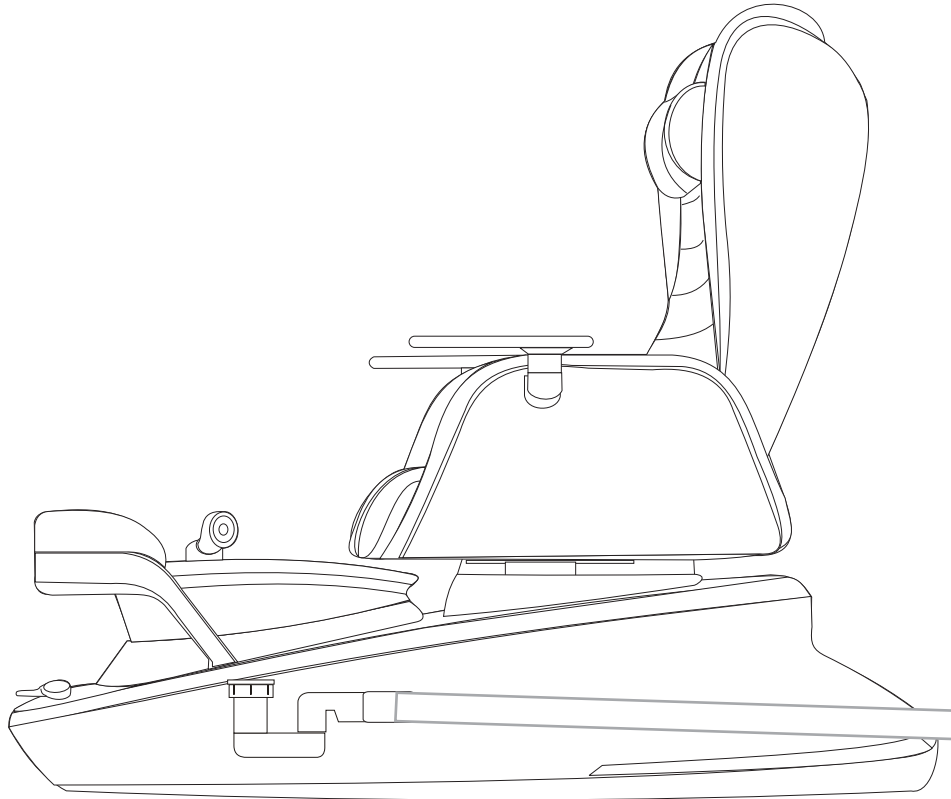


Manufactured by :	Model :
J&A USA Inc.,	LENOX MS
Dimensions:	Prepared by :
	J&A USA Inc.

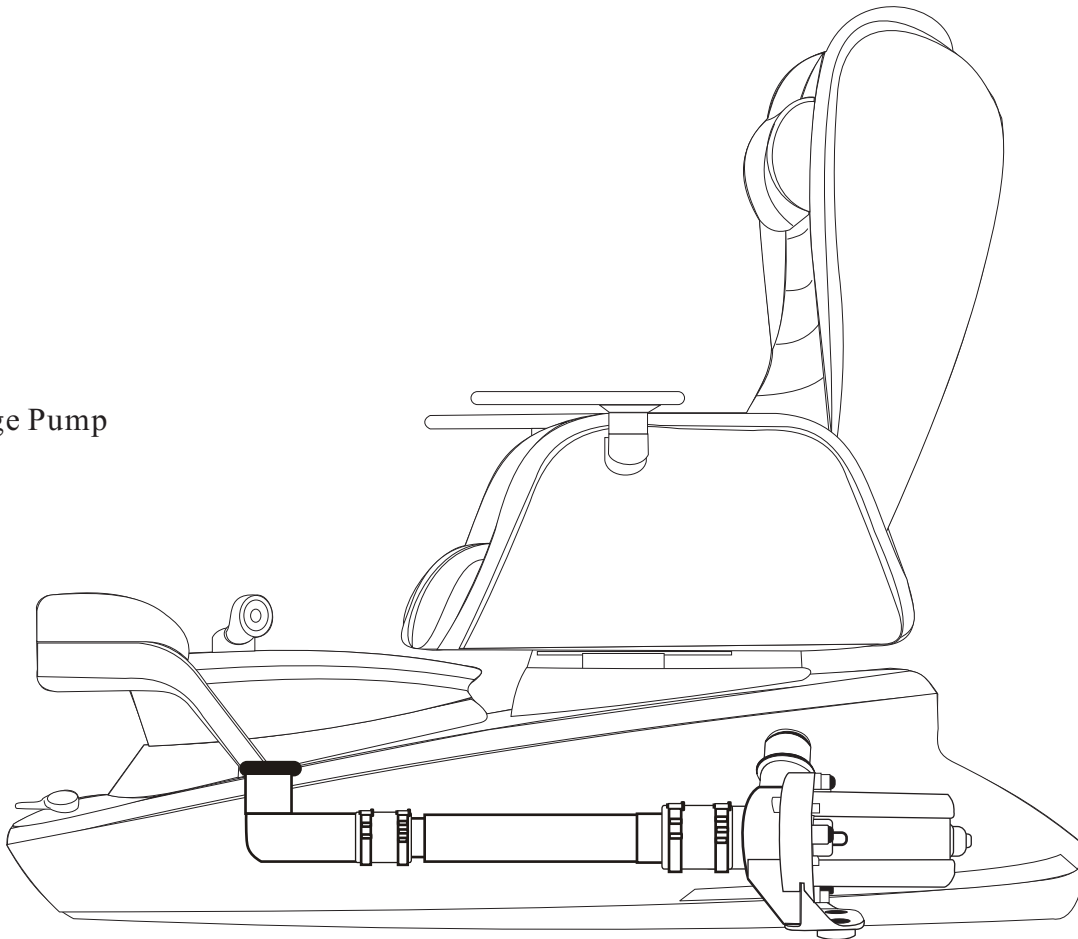
Note: All dimensions are approximate.

Drain A Connection

Wall Drain



Discharge Pump



Installation Specifications Summary

Warning: Failure to comply with federal, state or local codes and ordinances will result in warranty being null and void.

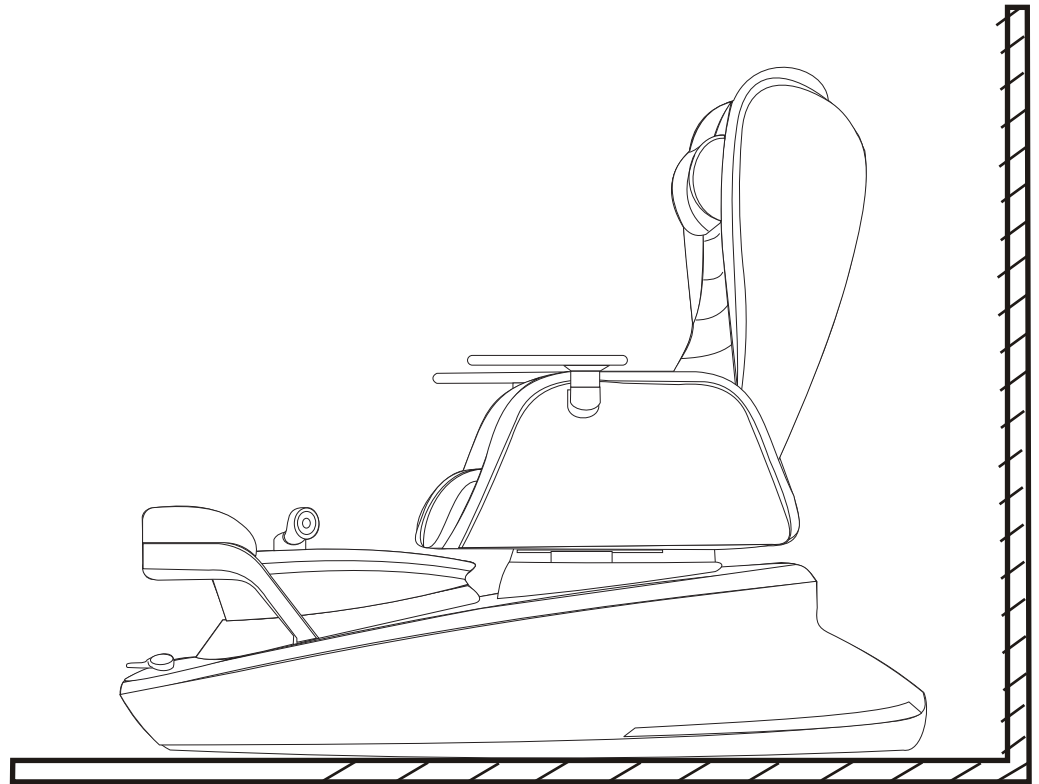
As stated, the pedicure spa installation must comply with all plumbing and electrical codes. A licensed plumber and licensed electrician must complete the applicable connections of the pedicure spa.

Location and support

Select a level location. The floor structure beneath the pedicure spa must be capable of supporting the occupied pedicure spa.

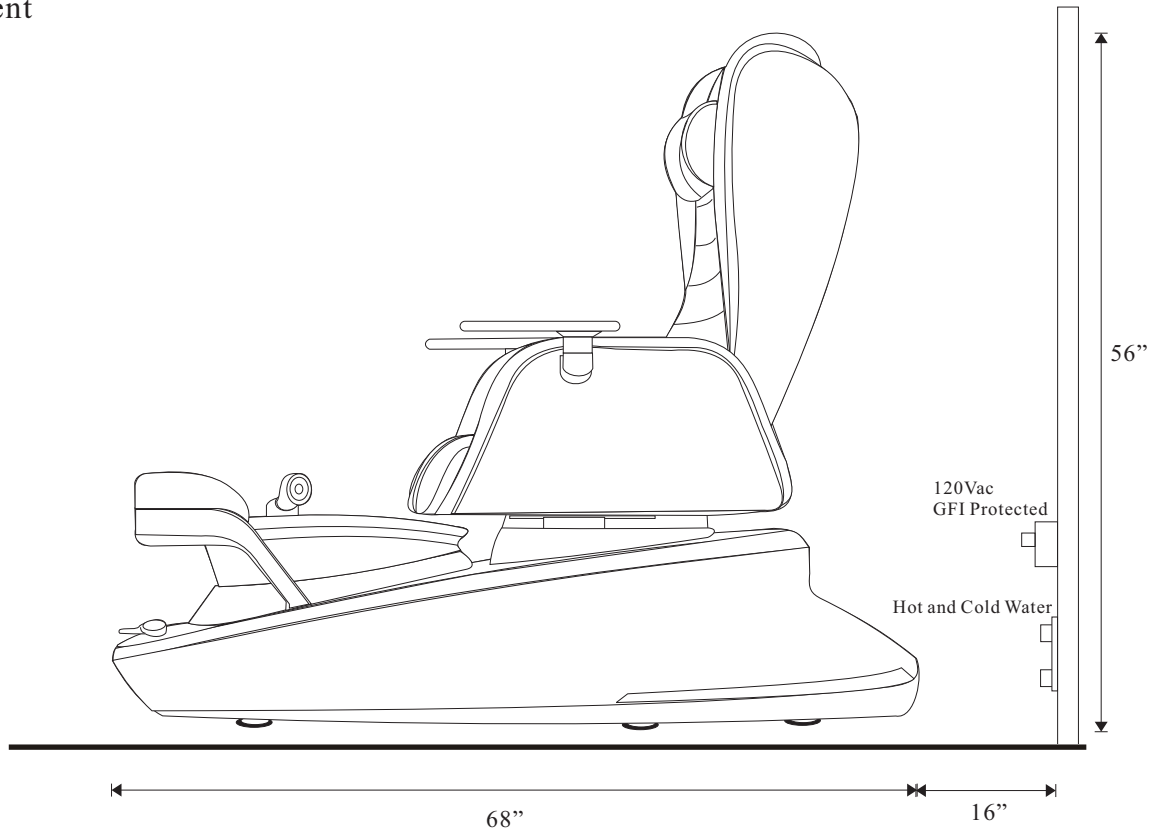
For the seat back to fully tilt , the pedicure spa base must be mounted as follow from the wall as shown below:

*** When chair slide all the way back – would require 15 inches from the wall***



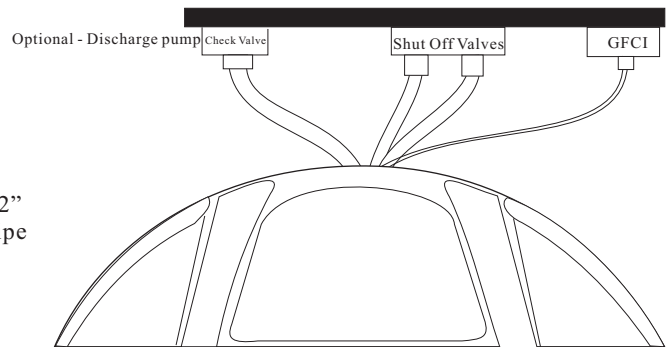
Due to continuous improvements on all our products, specification, characteristics, packing, color, designs are subject to change without notice.

Space Requirement

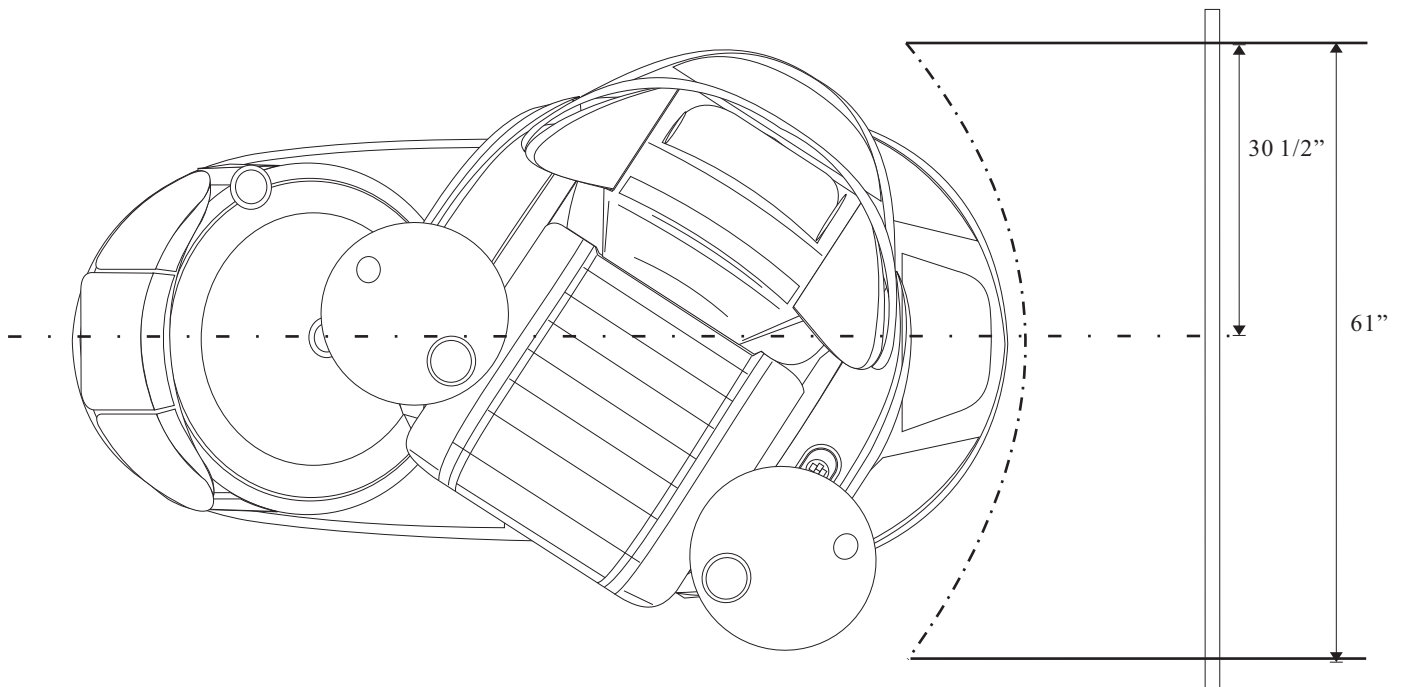


Top Rear View

Hot and Cold Water Inlet : 1/2"
Drain OutLet : 1 1/2" PVC Pipe



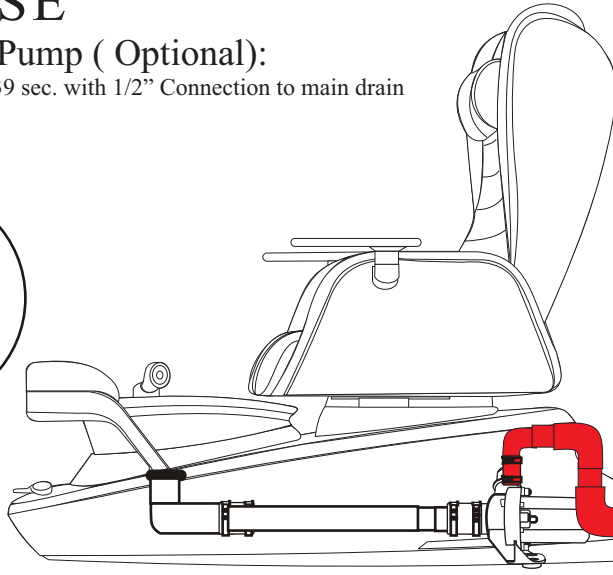
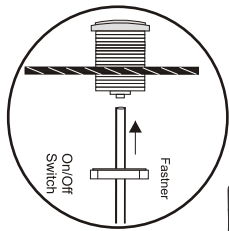
Space Req, for Swivel to Side to Side





Discharge Pump (Optional):

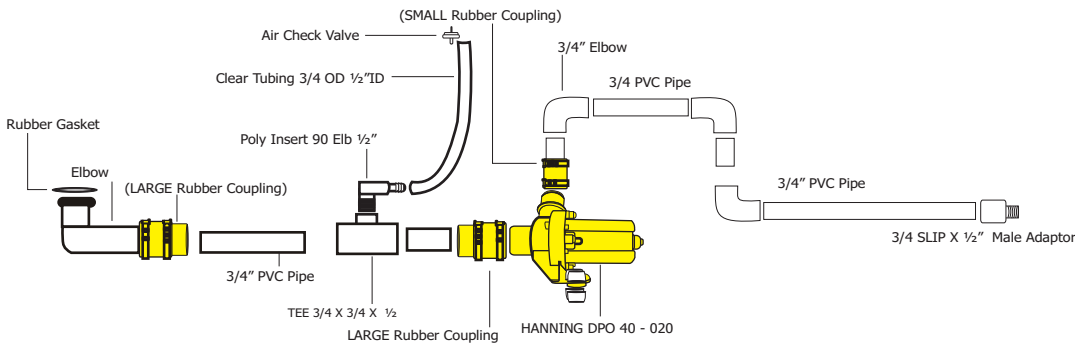
Up to 4ft @ +/- 39 sec. with 1/2" Connection to main drain



DRAIN OUTLET MUST BE 1/2" FOR EFFICIENT DRAINAGE.

1/2" Brass Check Valve

PLUMBER MUST BE UTILIZED TO INSTALL CHECK VALVE



Electrical Control Box (Located left bottom inside of base)

3/8" clear Tube from On/Off Switch for Part time control box

Installation Instruction

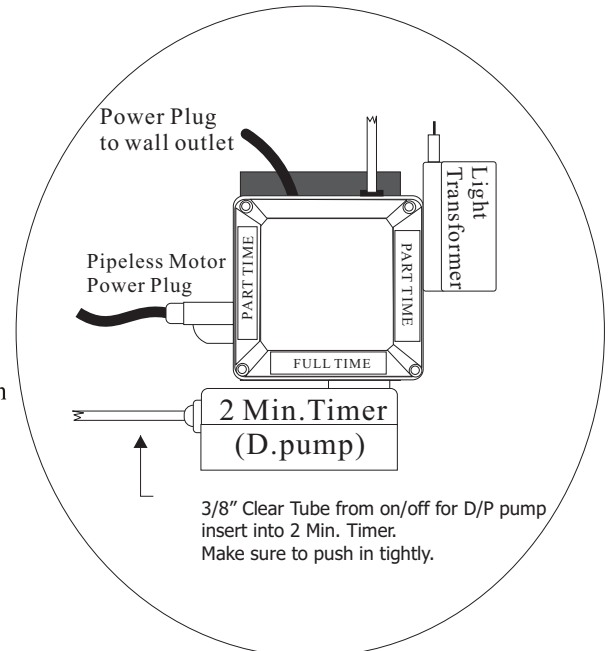
1. Make a hole (size 1-3/8") for the On/Off switch as shown (see fig 1). Pre-drill required.
2. Placed a 1/8" clear hose into the rear of the switch and on/off switch into the hole.
3. The discharge pump kit is made to fit onto the pedicure unit. (see fig 2)
4. Connect E-Z connector onto the drain elbow.
5. Plug discharge pump outlet into the two minute timer outlet
6. Plug two minute timer into the wall outlet.
7. It is very important that tip of the clear tub remain above the water Level with one loop as shown.

**** Please cut to fit 1" Flex hose to your size****

Operation Instruction

Please! DO NOT run dry

1. Turn to open drain plug.
2. Press On/Off switch to activate timer.
3. At any time, water drain completely from the basin. Press On/Off switch to stop or built in two minute timer



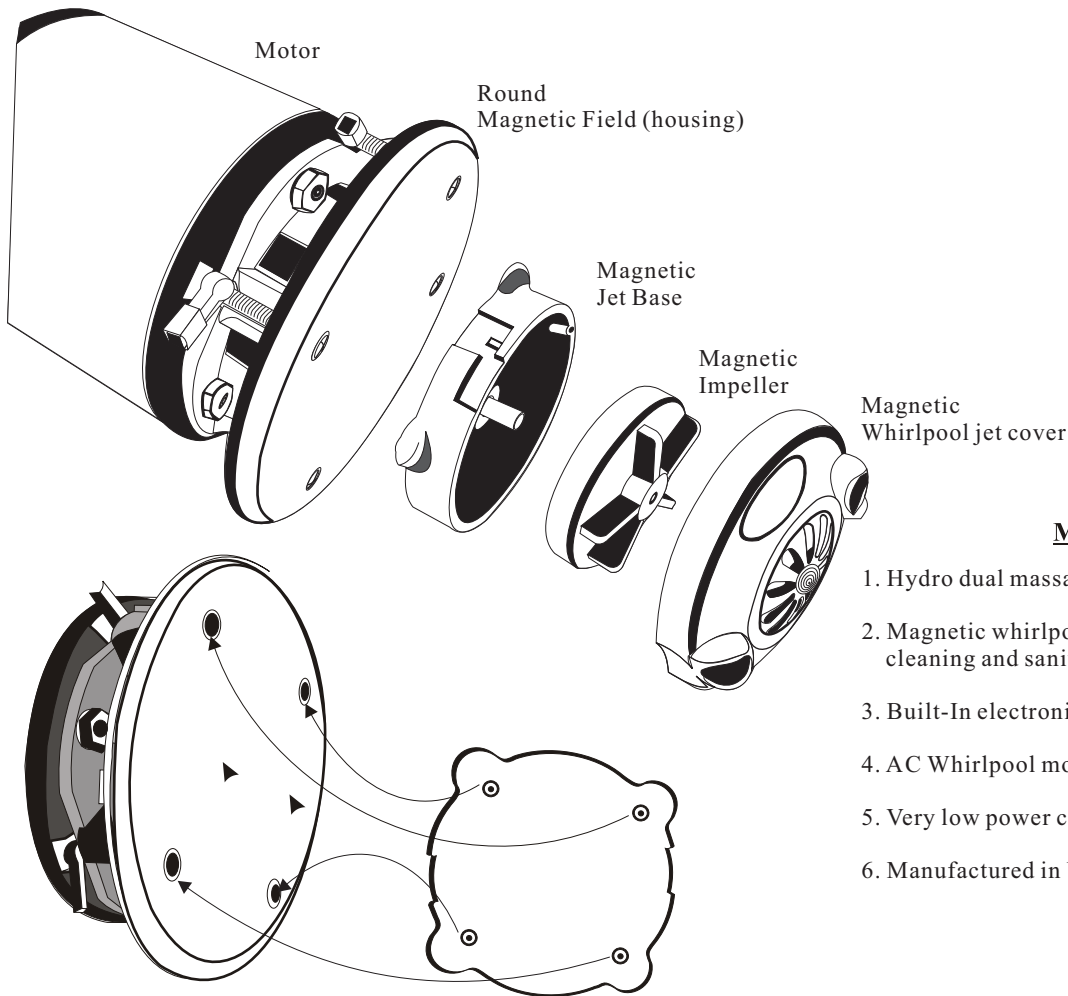
3/8" Clear Tube from on/off for D/P pump insert into 2 Min. Timer. Make sure to push in tightly.

MAGNA-JET (OPTIONAL)

Safety Instructions

When using electrical equipment, Basic safety precautions must be followed to reduce the risk of fire, electrical shock, and injury to Persons.

1. Read and follow all instructions before using the equipment.
2. Keep electrical cord out of heavy traffic area. To avoid fire hazard NEVER place electrical cord under the rug, near heat Generating devices.
3. Always turn power off the equipment before service.
4. Do not drop or insert any object into any openings.
5. Do not operate any equipment with damaged parts.
6. Any other use not recommended by the manufacturer may cause electrical shock or cause injury to person/s.
7. Never use it outdoors
8. Do not attempt to repair or adjust any electrical or mechanical.



MAGNA-JET Features

1. Hydro dual massage jet stream
2. Magnetic whirlpool jet cover can be remove for quick cleaning and sanitizing.
3. Built-In electronic sensor for pump control.
4. AC Whirlpool motor (long life)
5. Very low power consumption (27W)
6. Manufactured in USA.

Cleaning Instruction

1. Turn off the unit and wait until the motor is fully stops.
2. Hold Hydro whirlpool jet cover firmly and pull to separate from the round magnetic field.
3. Turn hydro whirlpool jet cover to left to open and pull out impeller.
4. Use Anti - Bacterial solution (EPA Registered) to clean all parts.
5. After sanitize all parts, place impeller and close hydro whirlpool jet cover to turn right to lock
6. Hold firmly the whirlpool cover jet and gently place it onto the round magnetic field. Do not release the hydro whirlpool jet cover until Jet cover is on the round magnetic housing.

MAGNA-JET Specifications

Model: MAGNA-JET - 120VAC, 60Hz, 1.0Amp,

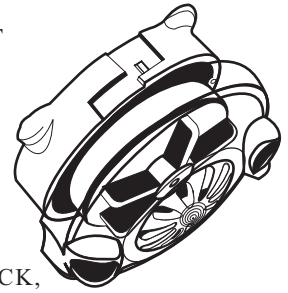
Pump: Hydro-Massage Dual jet Flow

Mounting: Single 3.5" hole Diameter
Auto tighten Mounting screws(4)

How to USE Magnetic jet !

WARNING: DO NOT RUN DRY, BASIN MUST FILLED WITH WATER TO LEVEL INDICATOR.

CAUTION: MAGNETIC JET COVER ASSEMBLY MUST ALIGN WITH DISCHARGE PORT POSITIONED AT 3/9 O'CLOCK.



WHEN READY TO USE, **MAKE SURE** JET COVER IS POSITIONED AT **3/9 OCLOCK** FOR PROPER WHIRLPOOL ACTION IN THE BASIN. IF JET COVER IS **NOT** ALIGN AT 3/9 O'CLOCK, WATER WILL SPLASH OUTSIDE OF THE BASIN.

PROPER WAY TO USE MAGNETIC JET SYSTEM

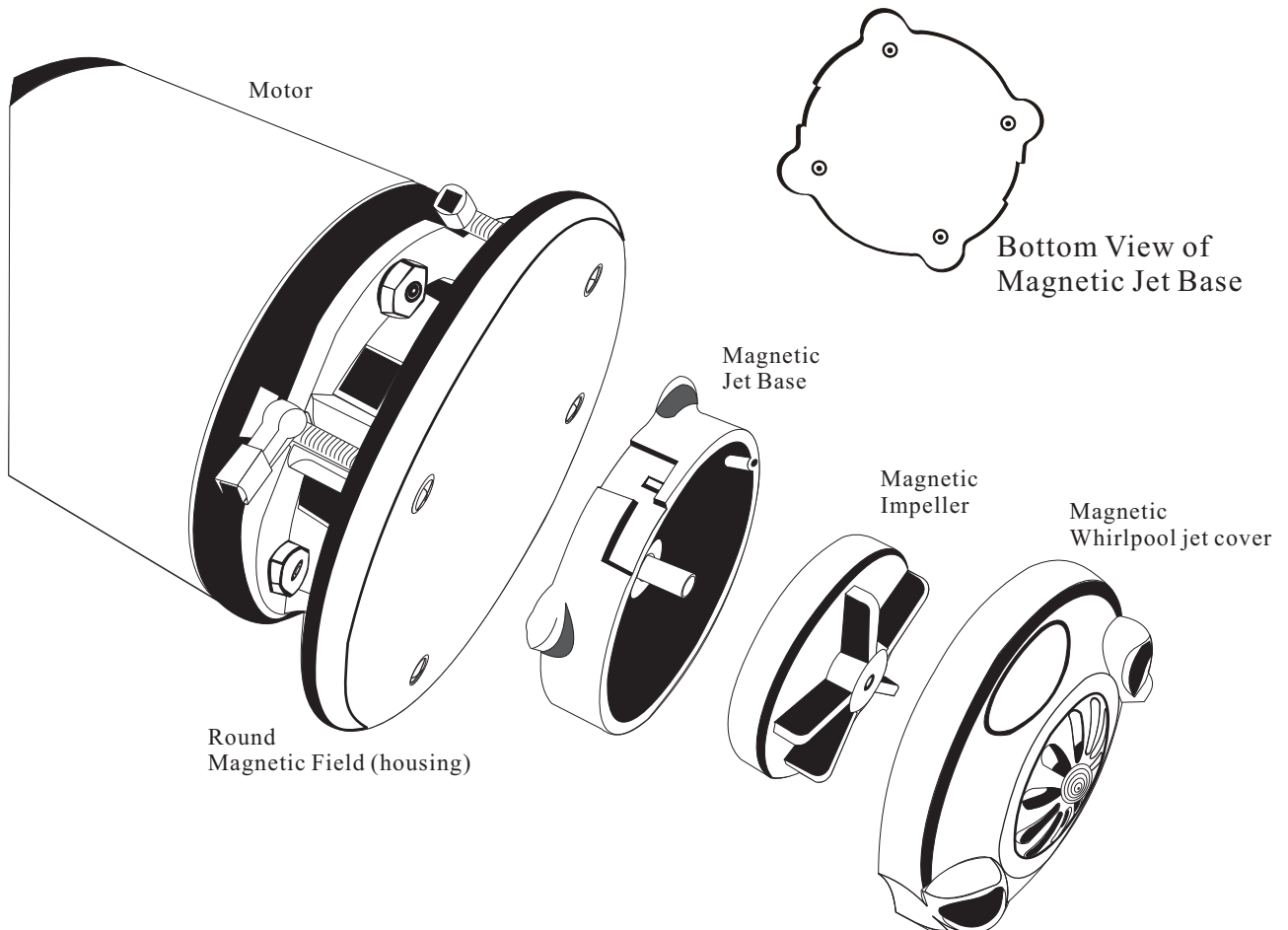
1- FILL THE WATER TO WATER LEVEL INDICATOR.

2- HOLD MAGNETIC JET FIRMLY TO BRING CLOSER TO THE ROUND MAGNETIC FIELD AND DO NOT RELEASE

THE MAGNETIC JET PREMATURELY OR THIS WILL CAUSE IMPACTS ON THE JET COVER AND THE ROUND MAGNETIC FIELD(HOUSING) SHORTENING THE LIFE EXPECTANCY OF THE JET COVER. WHEN THE JET COVER NEARS THE ROUND MAGNETIC FIELD, PLACE JET COVER ONTO THE FOUR DIMPLE AREA (SEE

DIAGRAM). THE JET COVER MUST ALIGN WITH DISCHARGE PORTS POSITIONED AT 3/9 O'CLOCK.

3- WHEN FINISHED WITH CLIENT, DO NOT REMOVE MAGNETIC JET UNTIL MOTOR IS FULLY STOPPED.

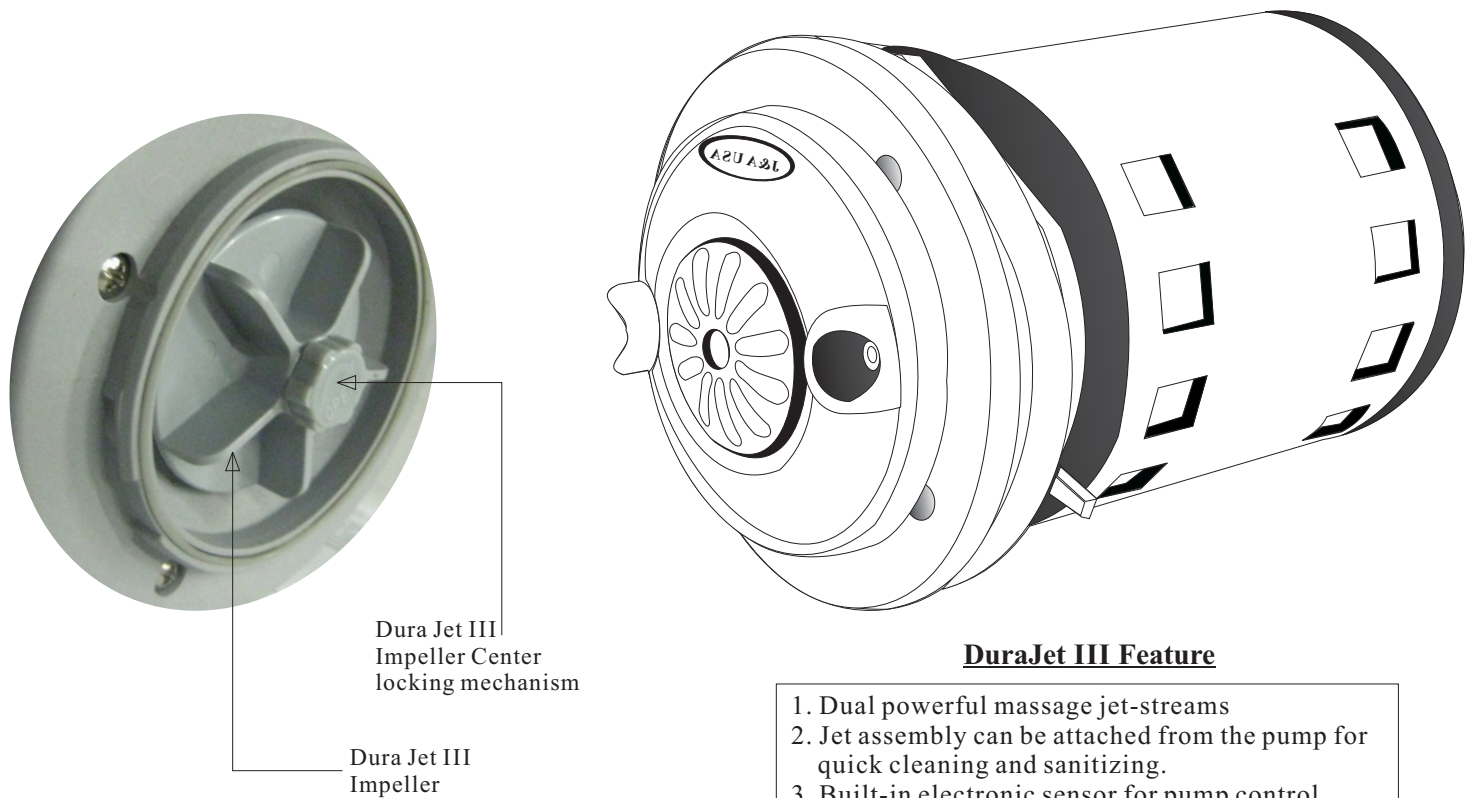


Dura-Jet III

Safety Instructions

When using electrical equipment, basic safety precautions should always be followed to reduce the risk of fire, electrical shock, and injury to persons, including the following:

1. Read and follow all instructions before using the equipment.
2. Keep the cord out of heavy traffic area. To avoid fire hazard NEVER put the cord under the rugs, near heat generating devices.
3. Always turn off the equipment before servicing.
4. Do not drop or insert any object into any openings.
5. Do not operate any equipment with a damage parts.
6. Any other use not recommended by the manufacturer may electrical shock or injury to persons.
7. Never use outdoors



Cleaning Instruction

1. Turn the unit off and wait until the motor is fully stops.
2. Remove the front jet cover and notice the locking screw in the center
3. Remove the locking center screw (turn counter clockwise) and pull out impeller from housing.
4. Use Anti-Bacterial solution (EPA Registered) to clean all part/s.
5. After sanitization, place impeller onto the motor shaft and fasten with center locking screw (Turn clockwise)

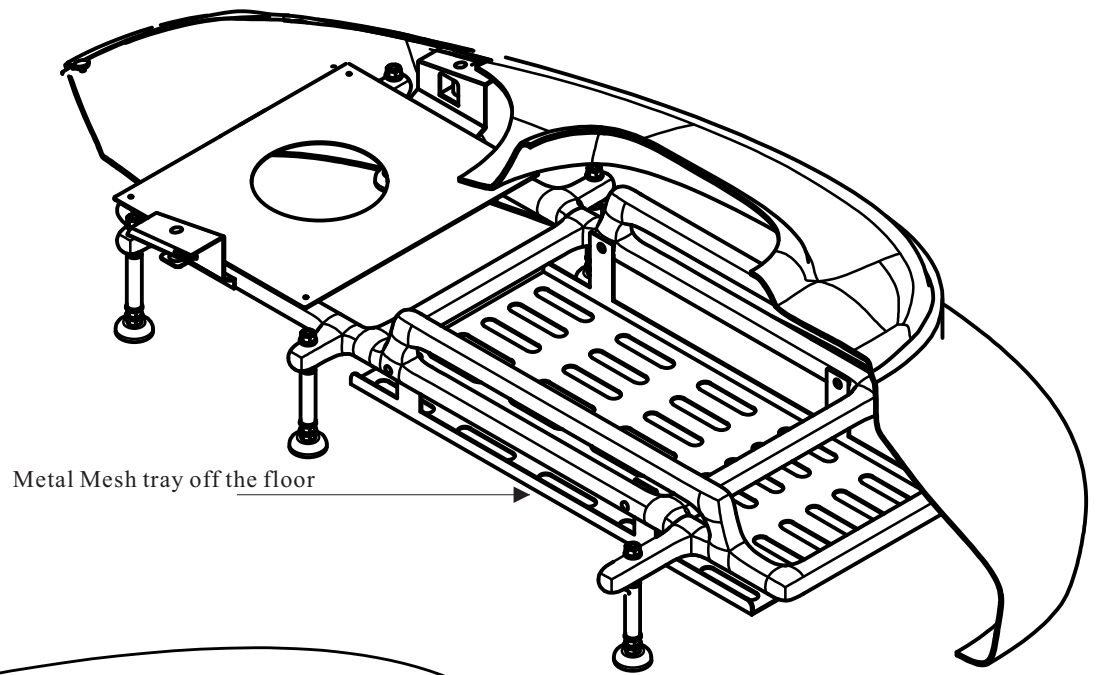
DURA-JET III Specifications

Model: DURA_JETIII 120Vac, 0.4 Amp. 60Hz,

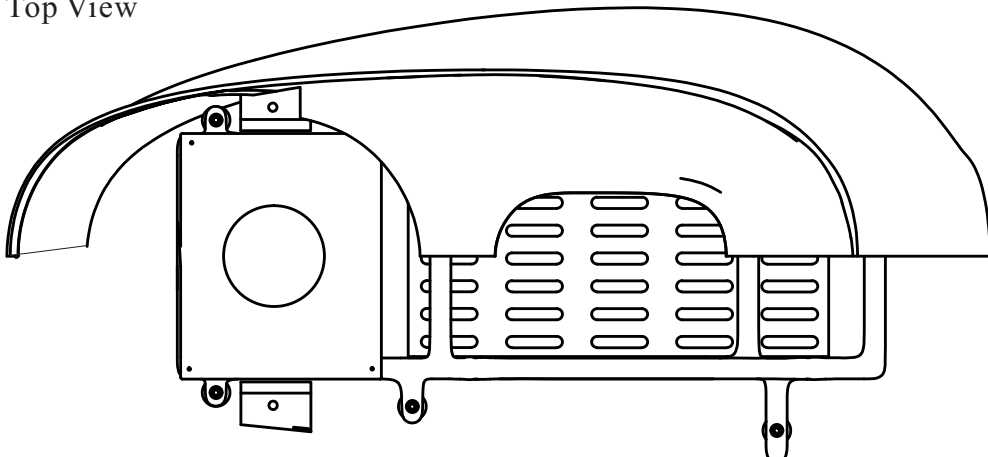
Pump: Dual Air Jet Flow

Mounting: Single 3.5" hole Diameter
Auto tighten Mounting screws(4)

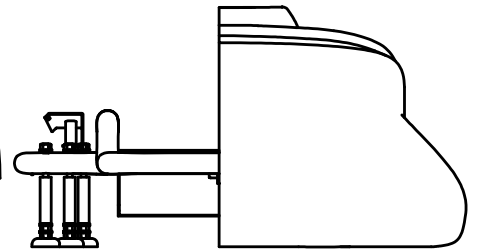
Perspective View



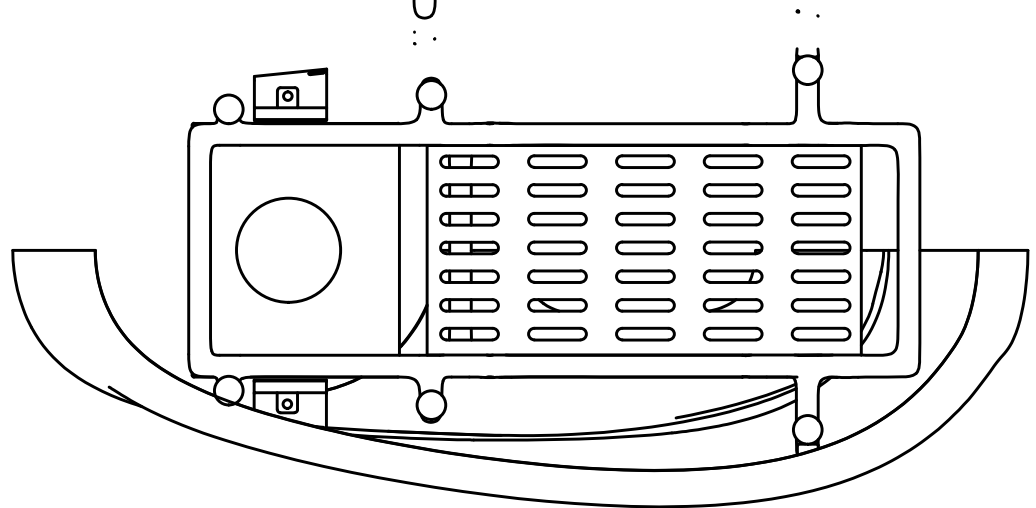
Top View



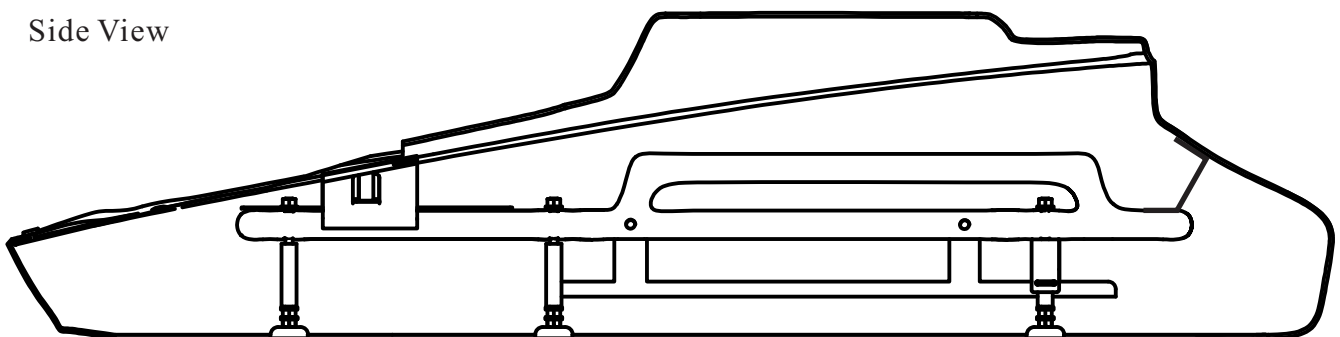
Rear View



Bottom View



Side View



LENOX MS REMOTE CONTROL INSTRUCTION



INCLINE
Press down to move chair
To desirable angle.



FORWARD
Press to hold to move
chair to desirable position



AUTO
Pre-Programed Automatic
Massage with 2 Selection



POSITION
User's Height
(HIGH / MID / LOW)



WHEEL
Adjust Massage Wheels
Up and Down to desirable
position.

KNEADING

3 Selections of Kneading Intensity

KNOCKING

Impulse Tapping Massage.
2 Selections of Knocking Intensity

VIB

2 Selections of Intensity for Seat
vibration Massage.



POWER

On / Off



BACKWARD

Press to hold to move
chair to desirable position



RECLINE

Press down to move chair
To desirable angle.



MANUAL

Press for Manual MODE with
Time Selection of 10~30 Mins.



RANGE

FULL / PARTIAL / SPOT
3 Selections



MSG

Keep Pressing to Massage Wheel
to the intended Massage Width.

COMB

Kneading / Tapping / Knocking
Combinations

TAP

3 Selections of Tapping intensity

SHIATSU

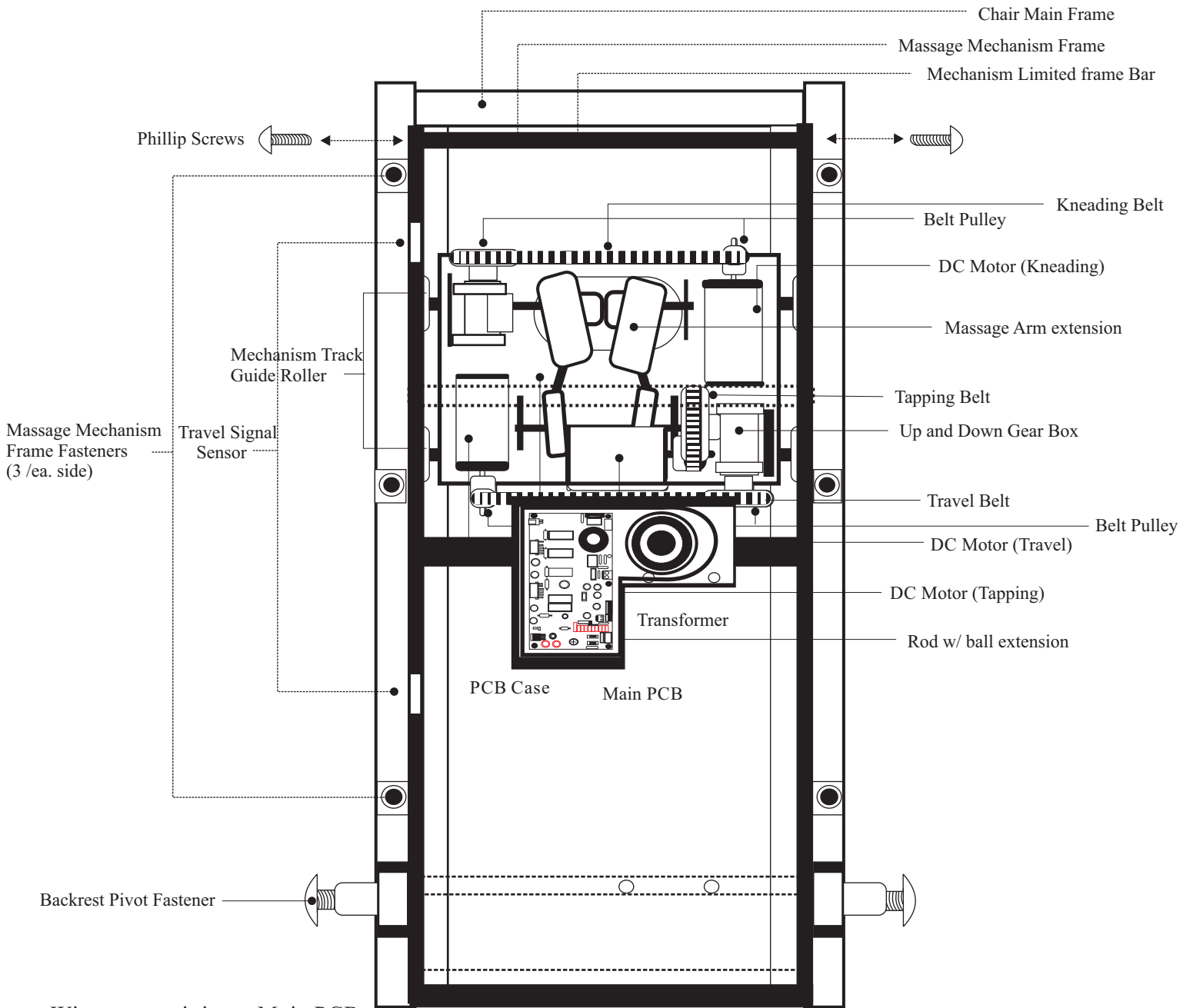
1. Press Manual / Timer to choose
Shiatsu Massage Time Selection

2. Press Massage Range to Select
FULL or PARTIAL Travel
Position.

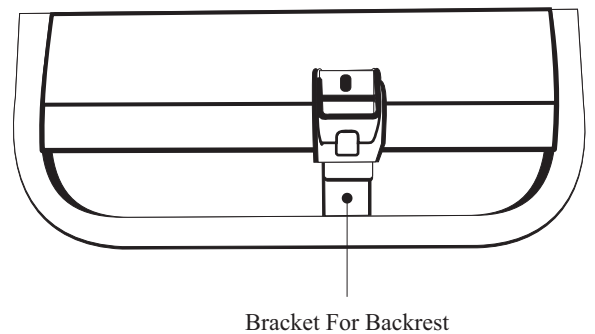
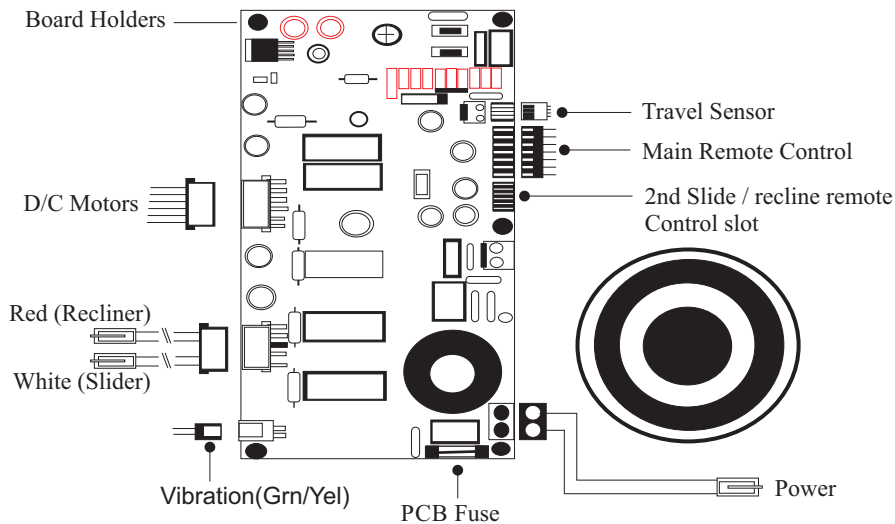
3. Press Tapping Width to fine
tunecomfort.

Massage Mechanism

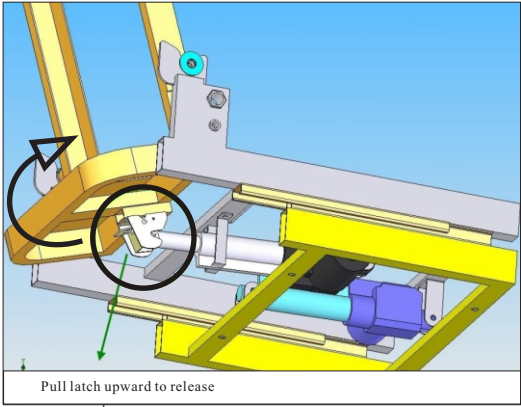
Back cover Open View



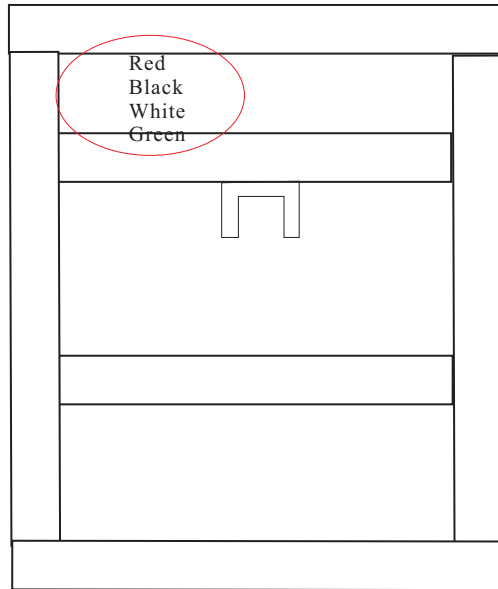
Wire connectivity to Main PCB



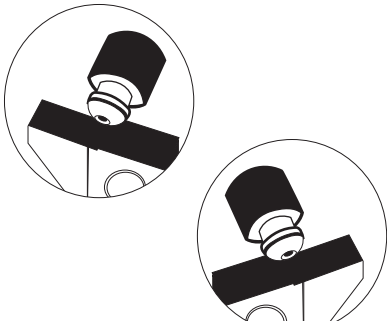
Placing Backrest in Correct position



Top View (Seat Frame)



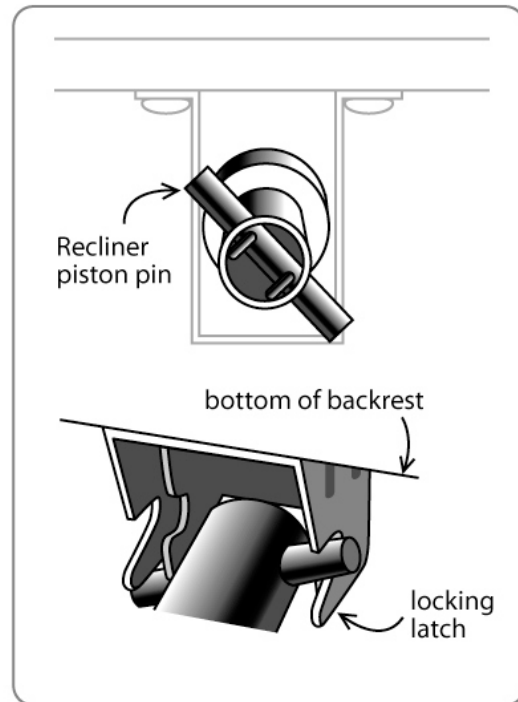
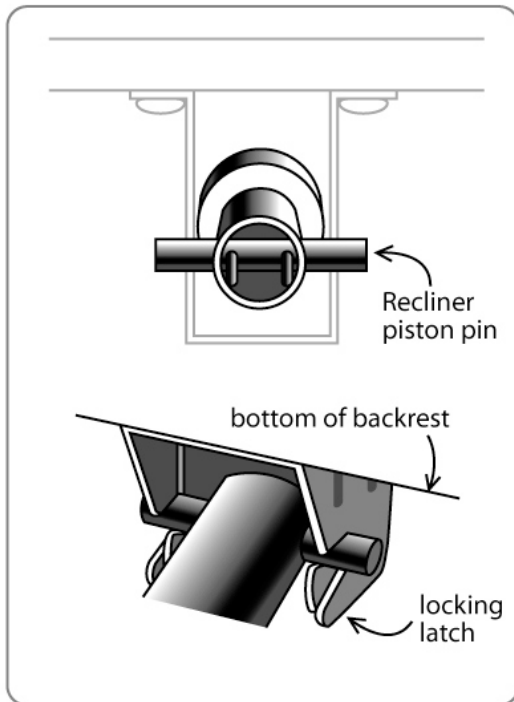
Color code Receptacle Connection
 location: Under Seat Cushion
 Red : Tilting (Up & Down)
 White : Slide (forward and back)
 Green: Seat Vibration
 Black : 2nd remote



Recliner Piston End Attachment Instruction

○ Right

✗ Wrong



- A. Please make sure pin located at the end of recliner piston is in horizontal position.
- B. Slowly raise up the backrest till you hear "clicking" sound to ensure proper pin engagement into locking latch.