
Customer User Guide

HAIR DRYERS

**User Guide for LCL BEAUTY
SALON HAIR DRYERS (all models)**

Table of Contents

INTENDED USE GUIDELINES.....	2
IMPORTANT SAFEGUARDS	3
SPECIAL SAFETY MESSAGE ABOUT PROFESSIONAL HAIR DRYERS	4
WALL MOUNT MODEL INSTALLATION	5
IMPORTANT WALL MOUNT INSTALLATION NOTES	6
STEP 1: ATTACH HOOD TO HOIST ARM.....	7
STEP 2: INSTALL WALL PANEL MOUNT BRACKET.....	8
STEP 3: ATTACH JOIST BOOM TO MOUNT	9
YOUR HAIR DRYER	10
DRYER TREATMENTS	11
CARE & MAINTENANCE	12
CONTACT US	2

INTENDED USE GUIDELINES

The information in this user guide is offered as a courtesy to assist those who desire a better understanding of their machine and its operation.

All procedures are sophisticated and should only be performed by trained and certified estheticians or beauticians who are familiar with product safety and treatment contraindications.

This user guide is in no way intended as a replacement for professional training and certification. It is important the user is aware of state and local requirements for cosmetology and esthetician practices and licensing.

IMPORTANT SAFEGUARDS

When using your appliance, basic safety precautions should always be followed. Read all instructions and operate appliance only for its intended use:

- **Never leave appliance unattended when connected to a wall outlet.** After use is complete, unplug the appliance from wall outlet and follow cleaning guidelines presented later in this user guide.
- **To ensure safety in operation and extend the life of your delicate electronics, do not plug directly into a wall socket.** Always plug all electrical machinery into a surge suppressor.
 - A suppressor with a minimum 600 Joule surge suppression rating with EMI/RFI noise filtering components, and a 15-ampere circuit breaker with a polarized plug and Underwriters Laboratories listing should be used. Cords rated for less amperage may overheat.
 - To avoid a circuit overload, assign all high-wattage appliances to their own circuit.
- Never operate appliance unattended. Constant supervision is required when the appliance is functioning, especially when being used near children or busy locations. Do not leave appliance unattended while connected. Always position appliance carefully to prevent it from falling if it is accidentally moved or if cord is pulled.
- Do not operate appliance with a damaged or twisted cord or plug, or if the components or jars have been dropped or damaged. Do not allow cord to touch hot surfaces. Let appliance cool completely before putting away. Loop cord loosely around appliance pole stand when storing.
- The appliance should always be turned to OFF before plugging or unplugging from an outlet. Never yank cord to disconnect from outlet; instead, grasp plug and gently pull to disconnect.
- Burns can occur from touching hot metal parts, hot water, or steam. Use extreme caution when moving your appliance during or shortly after operation — there may be residual heat that could cause burns. For appliances with water receptacles, avoid rapid movement of appliance to prevent hot water spillage.
- To avoid the risk of electric shock and voiding your warranty, do not disassemble the appliance or submerge it in water or any liquid; instead, contact our service center to schedule examination and repair. Unauthorized or incorrect reassembly can cause a risk of electric shock when the appliance is used.
- Do not operate in the presence of explosive and/or flammable fumes. Do not use appliance outdoors. This product is for indoor use only.
- **When operating an appliance with a water receptacle:**
 - Always disconnect appliance from electrical outlet when filling with or emptying water, and when not in use. Be careful to avoid over-filling water receptacle.
 - Always empty water receptacles when not in use. Disconnect appliance from electrical outlet before emptying out water receptacles.

SPECIAL SAFETY MESSAGE ABOUT PROFESSIONAL HAIR DRYERS

Whether you have the wall-mount hair dryer, a free-standing hair dryer on wheels, or a hair dryer integrated into a salon dryer chair, it is important you use this appliance as intended.

***NEVER LEAVE CHILDREN UNATTENDED IN OR AROUND
PROFESSIONAL GRADE HAIR DRYERS***

USE SAFETY

- ▶ Always keep your hair dryer connected to power through a recommended surge suppressor as outlined in the Safeguard section
 - ▶ Hair dryer bonnets and arms are not designed to hold additional weight. Never rest anything on the arms or bonnet
-

WALL MOUNT MODEL INSTALLATION

Please read and follow all safety information contained in these instructions prior to installation and use of fixed wall mount hair dryer. Save these instructions for reference after installation.

If you do not understand these directions or have any doubts about the safety of the installation, please call a qualified contractor. Additionally, you can contact us at 425.388.9988 or support@lclbeauty.com for help with minor installation questions. We can quickly assist you with minor installation questions and missing or damaged parts. Check carefully to make sure there are no missing or defective parts. Replacement parts will be shipped directly to you. Never use defective parts.

Improper installation may cause damage or serious injury. Do not use this product for any purpose that is not explicitly specified by our installation guide. The LCL Beauty family of suppliers is not liable for damage or injury caused by incorrect mounting, incorrect assembly, or incorrect use.



Note: The supplied hardware is not for steel stud walls or old cinder block walls. If you are uncertain about the nature of your wall, consult an installation contractor. For installation into steel studs or old cinder block walls, special hardware must be purchased from your local hardware store and installed by a trained installation contractor.

Intended Use

Fixed wall mount hair dryers are intended to provide a wall mount boom for your hair dryer to be adjusted or moved out of the way. Fixed wall mount dryers are not intended to hold any additional weight beyond the supplied bonnet. Placing or hanging any additional weight from the bonnet or arm of your hair dryer will cause undue stress on the integrity of the arm and installation. This can cause a potentially hazardous situation which could result in injury and/or property damage.

Summary of device labels containing safety information



Warning: Do not hang on the product

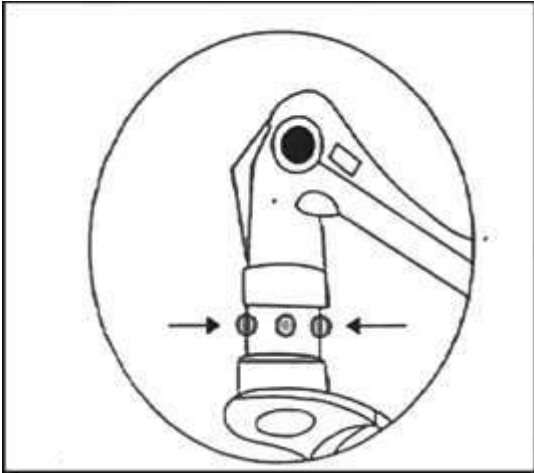


Attention: Read Accompanying Documentation

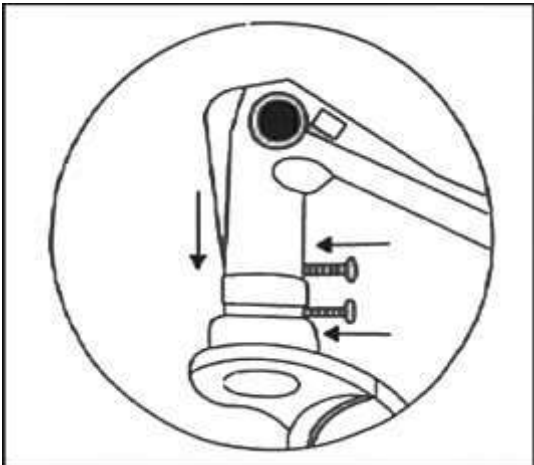
IMPORTANT WALL MOUNT INSTALLATION NOTES

- **WARNING:** Attach the hood component of the hair dryer to the adjustable arm **BEFORE** hanging the unit on the wall. Failure to attach the hood to the arm before boom installation may cause issues that can result in components breaking from undue stress.
- The wall mount bracket is designed to be installed in a wood stud or concrete wall. If your location has metal or aluminum studs it will require the studs to be reinforced to hold the weight of the dryer.
- This is a 1200-watt dryer that requires a standard 110 volt electrical outlet. A 6' power cord is provided

STEP 1: ATTACH HOOD TO HOIST ARM

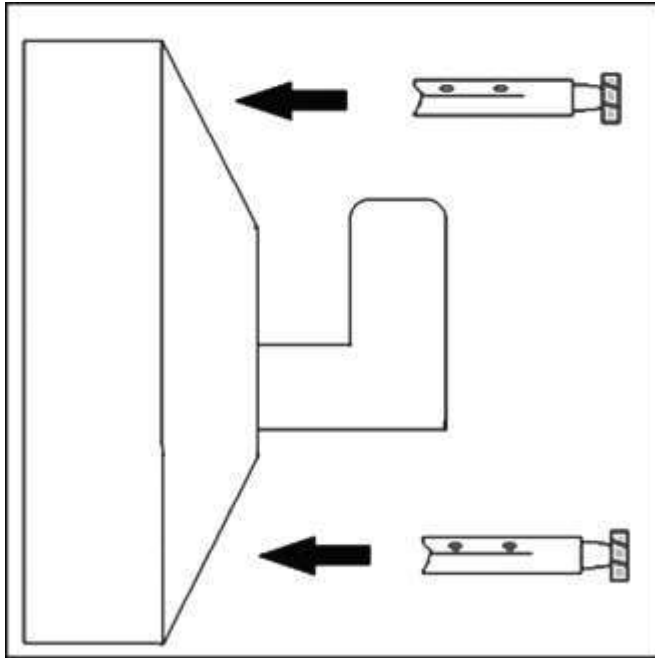


1. Slide chrome sleeve past the four bearing sockets on hoist boom arm.
2. Place a small amount of supplied bearing grease lubricant in each of the 4 radially spaced bearing sockets on the hoist boom arm.
3. Insert the four steel bearings into the bearing sockets on boom arm. (grease lubricant will hold the bearings in place)



4. Slide the chrome sleeve down around the steel ball-bearings and push down to the bottom of the hoist boom. Lock chrome sleeve in place by securely affixing self-tapping screws on each side of the sleeve as shown in the diagram to the left

STEP 2: INSTALL WALL PANEL MOUNT BRACKET

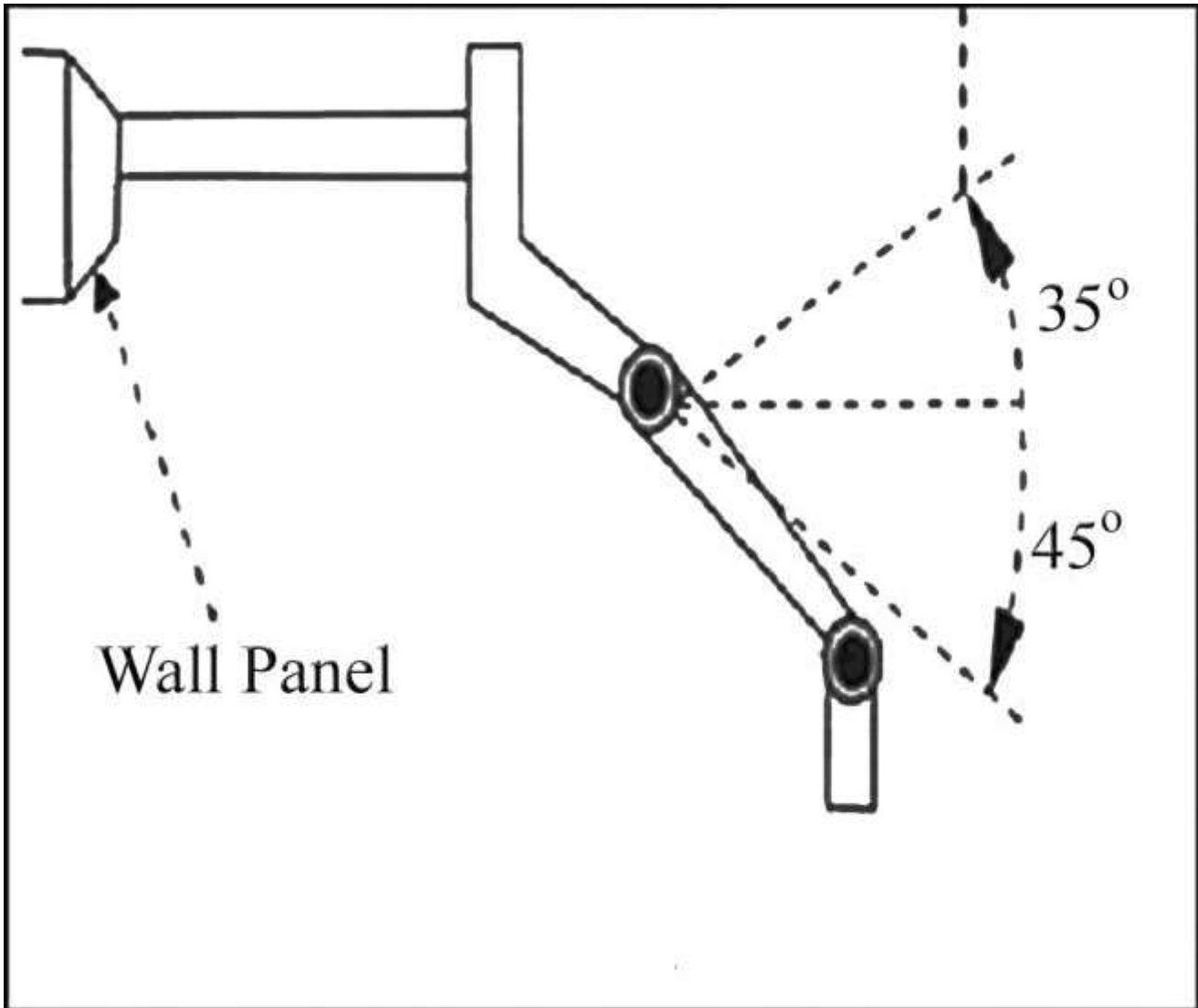


1. Identify secure wooden wall stud (see note below)
2. Pre-drill holes for the wall panel making sure to drill directly into the center of the wall stud.
3. Install anchor bolts in the two holes and tighten until sleeves expand and have a firm grip on the wall stud

The wall mount bracket is designed to be installed in a wood stud or concrete wall. If your location has metal or aluminum studs it will require the studs to be reinforced to hold the weight of the dryer.

If you have questions or doubts about installation, please contact a professional contractor.

STEP 3: ATTACH JOIST BOOM TO MOUNT



1. Attach the Hoist-Boom to the wall panel
2. Adjust the dryer arm down to the appropriate level for your chair

YOUR HAIR DRYER

Hair Dryer Treatments

Professional Bonnet Hair Dryers perform an important function in any salon or spa. Dryers allow heated air to circulate around your client's wet hair and dry it evenly while you work on other tasks. Our hair dryers all come with an automatic shutoff timer so you can safely set your hair dryer and walk away with peace of mind. Always towel dry hair before using a professional salon hair dryer to help expedite the drying process.



DRYER TREATMENTS

General Hair Dryer Treatment Guidelines

1. Fully review the Important Safeguards pages found earlier in this document before beginning any treatment on a client.
2. After washing your client's hair, towel dry to remove as much moisture as possible.
3. Position the hair dryer so that the bonnet completely encloses your client's hair. For longer hair you may use a heat-proof hair net to keep the hair in place and allow hair to dry down to the root.
4. Set your desired temperature. Always start at a cooler temperature and raise depending on your treatment needs and client comfort level.
5. Optional—**Models PRO-1028 & PRO-1028D Only:** Set your circulation fan speed. Always start at lower levels and raise as needed based on treatment and client comfort. For medium to longer length hair, please utilize a heat-proof hair net to prevent hair from whipping around in the circulating air. Utilizing a hair net will also keep longer hair in place allowing for more even drying.

After a dryer session allow a minimum of 15 minutes of downtime with the hair dryer powered off. This allows the internal mechanisms and heating elements to cool down to a safe level. Proper cooldowns extend the life of your hair dryer so it will perform reliably and safely for years to come.

CARE & MAINTENANCE

Maintain your hair dryer for reliable service for years to come

If you wish to clean your hair dryer bonnet, please ensure the unit is completely cooled down and unplugged. Use a soft cloth or sponge lightly dampened with water to remove any dust or product residue. Never use a chemical or abrasive cleaner as this can damage the material of the hair dryer bonnet.

Some models of hair dryer have a clean-air filter. If yours does, remove the filter once every 2 weeks and clean off any dust and debris. If you used water to cleanse the clean-air filter, be sure the filter has had at least 24-48 hours to fully dry before replacing it back on the hair dryer for client treatments.