

Safety Instructions

1. Before using the product, open it up and place it in a dry and well-ventilated place to let the odour disperse thoroughly.
2. We recommend you to keep one of the keys in a safe place as backup use.
3. Never store the product in a humid place and keep it away from fire or heating source.
4. For daily maintenance, use a piece of wet cloth to clear the surface of the product.
5. The power applied on this product must match with the rated voltage.
6. Never store items over the weight capacity in the makeup case.

Package Contents



Nail Trolley Case x 1



Power Cord x 1



Key x 4



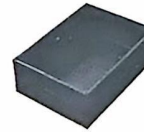
Case x 1



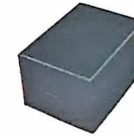
Screws x 1



Small Drawer x 2



Medium Drawer x 1



Big Drawer x 1

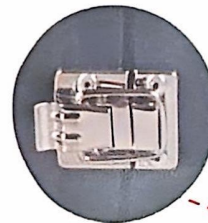
Specifications

Nail Case Overall Dimensions (L x W x H)	15 1/16" x 12 3/16" x 27 3/16" (38.2 x 31 x 69 cm)
Rated Voltage	110 to 250 V
Rated Power	2,200 W
Net Weight	35.2 Lbs (16 kg)

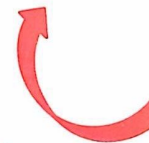
Operation Instructions

Unfold Nail Case

1

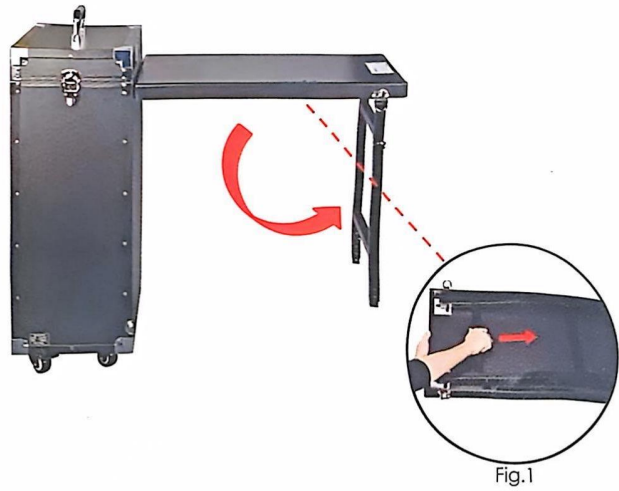


Unlock the buckle



Unlock the buckle and unfold the side panel.

2



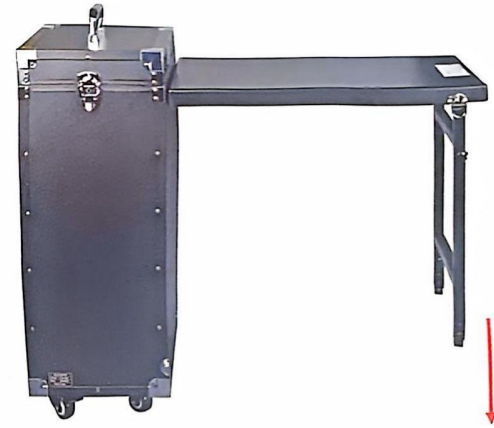
- The supporting leg is under the side panel. Hold the supporting leg and stretch it as shown in Fig. 1 first.
- Then unfold it until it is perpendicular to the side panel.



Fig. 2

Please note that you are required to stretch the supporting leg as shown in Fig. 2 before you fold it back to the side panel.

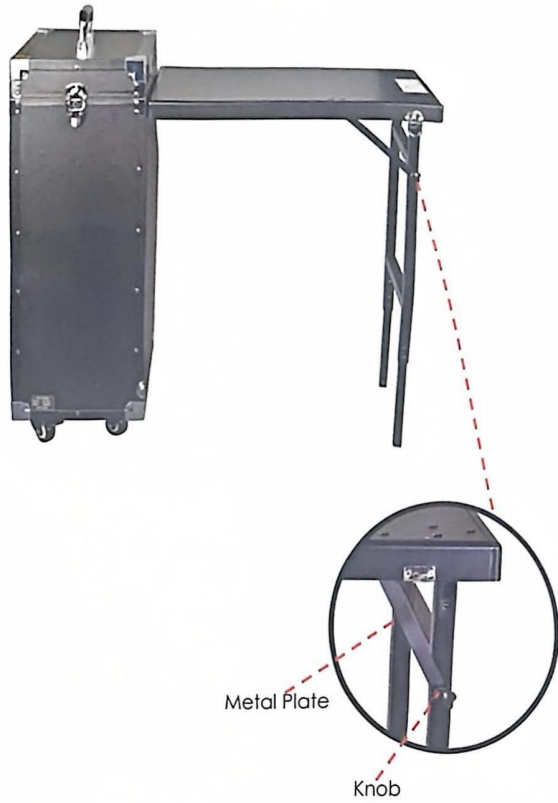
3



Extend the lower part of the leg until it makes "click" sound.

4

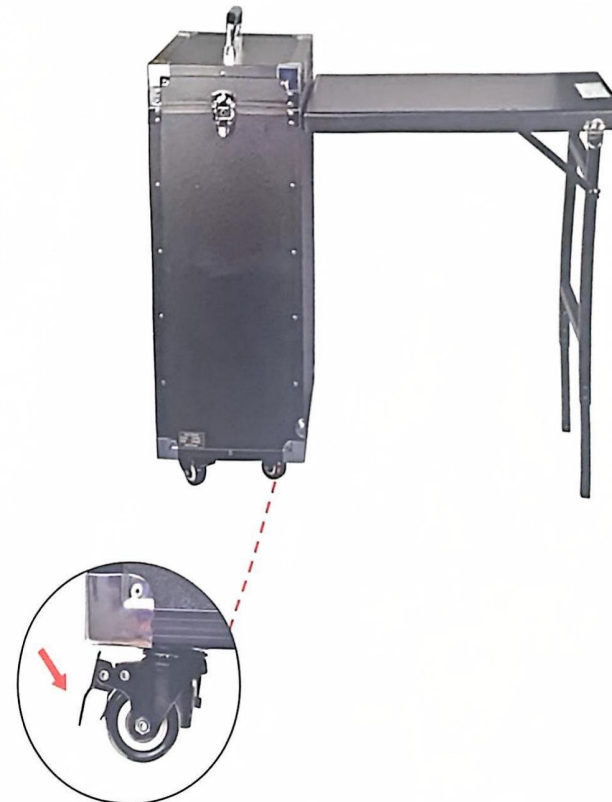
Lock Up Supporting Legs



Use the knob to secure the metal plate that is under the side panel on the leg. (The knob is preinstalled on the leg. You need to loosen it out first.)

6

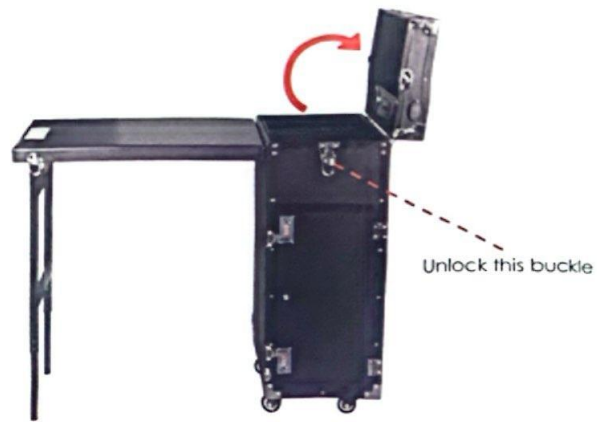
Lock Up Casters



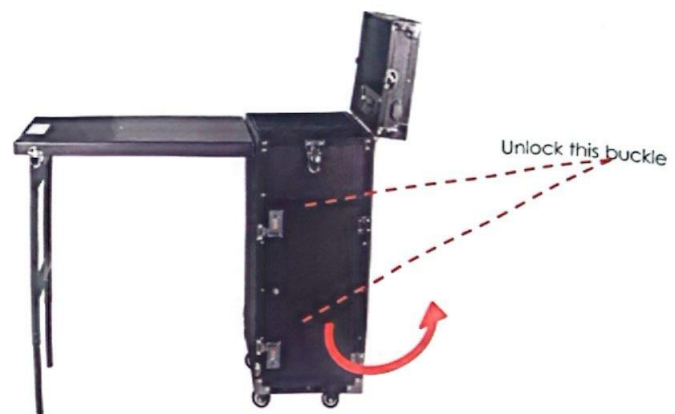
Lock up the casters at the bottom of the makeup case to prevent it from sliding.

7

Unlock buckles for Storage



Unlock the buckle and open the cover.



Unlock the buckle on the cabinet and open its door.

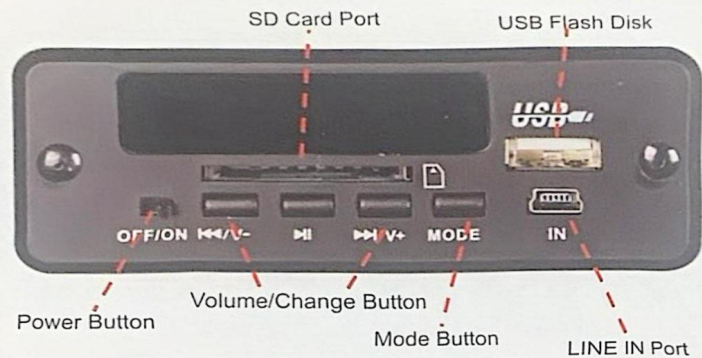


You can pull out the drawers from the cabinet.

About the Speaker



Connect the power cord to socket on the right side of cover. Connect the other side of the power cord to a power supply.



Operation Panel of the Speaker

1. Playing Music Wirelessly:

Turn on the power button and connect the speaker to your phone wirelessly. And then you can play music via the speaker.

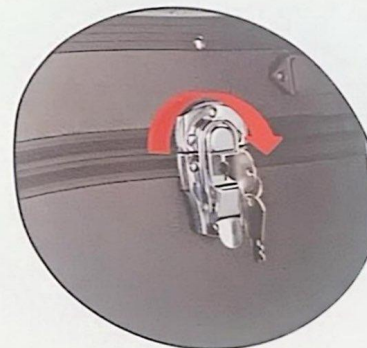
2. Playing Music Via USB Connection:

- (1) Press the mode button to switch to the USB mode.
- (2) Connect your USB device to the USB port. And you can play music in your USB device.

3. Charging Your Mobile Device:

If there is no power cable to power the case & bulbs, then Bluetooth device is power off as well. In this case, if you still want to playing music by using Bluetooth device, you can use a powerbank with 5V cable to charging the "LINE IN Port", Then the Bluetooth device can work properly.

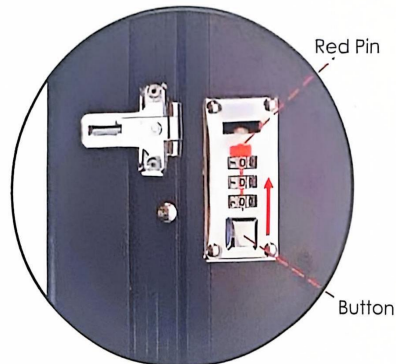
About the Keys



- Insert key to the corresponding slot. Rotate it to the right for a circle to lock.
- And rotate it backwards to the left side to unlock.

About the Coded Lock

● Reset Passwords



- Unlock the door with initial passwords "000" and then take off the red pin.
- Push the button up and hold it the whole time during resetting passwords.
- Rotate the number gears to set your desired passwords. It is advisable that you take down the passwords in case you forget.
- Release the button and check if you succeed resetting passwords.
- Repeat the former steps to reset your passwords when needed with the corresponding passwords.

NOTE:

It is highly recommended that you take down the passwords every time you reset passwords in case of forgetting.