

Portable Hydra Jets Pedicure Spa



Owner's Manual

Please read manual carefully before installation



TABLE OF CONTENTS

Introduction and Specifications	3
Warning and Safety Instructions	4
Cleaning and Disinfecting Procedures	5
Limited Conditional Warranty	6



INTRODUCTION

SpaSalon.us would like to thank you for your purchase of the **Portable Hydra Jets Pedicure Spa**. To take full advantage of all the functions of the spa system please read through this manual carefully. Please follow the instructions provided before installation and use.

RECEIPT & INSPECTION

- Check the shipment; confirm the number of items shipped matches the number of items received. Look for visible damage to cartons such as cuts, holes, dents, and take a picture of damaged areas. Please call **1.888.400.2648** to notify of damaged or missing items within **24 hours** of receiving the shipment.
- Unwrap items carefully and check all packets before discarding any boxes.

PORTABLE SPA SPECIFICATIONS

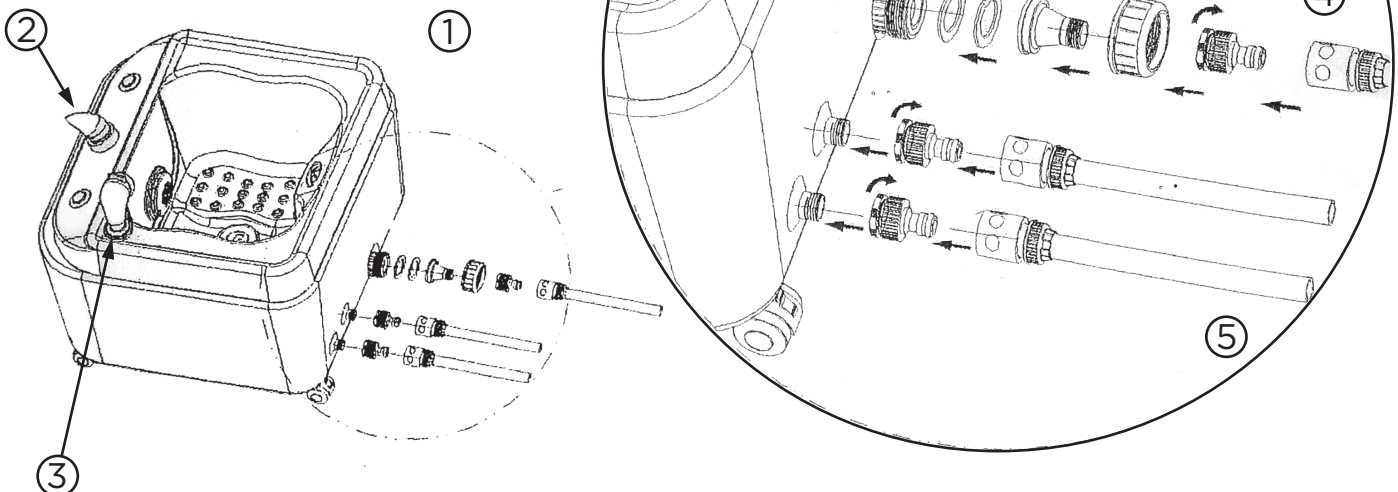
Dimensions: 23 in. L x 22 in. W x 17.25 in. H

Weight: 45 lbs.

Power Source: 100-130 v 60 hz

IDENTIFIED PARTS

1. Portable spa
2. Handle
3. Sprayer
4. Pump hose
5. Water hose



PRECAUTIONS

- Excessive water temperature is dangerous and should be checked before use. Maximum temperature of the water inside the portable spa tub should never exceed 120° f (49° c).

VERY IMPORTANT

- Do not stand in the tub.
- The portable spa is made to massage the feet with water movement and it is not made to be stood in. Standing in the tub can cause severe damage to the unit and possible injury to the person. Do not bring or operate any electrical device near or inside the pedicure spa.

WARNING

- Discontinue use of spa immediately and consult a physician if any pain or discomfort is experienced.
- Consult a physician before use if you have diabetes, poor circulation, or other health problems.
- Do not use the spa on individuals with open wounds/cuts, fungal infections, swelling, fracture, or those with persistent pain of their feet or legs.

RISK OF ELECTRIC SHOCK

- Connect only to a circuit protected by a ground fault circuit interrupter.
- Do not permit electric appliances such as a hair dryer, lamp, telephone, radio, television, or cell phone near the portable spa.
- Only operate on a standard 110 volt, exceeding this standard may cause injury and damage to property.
- When not in use, always turn the power OFF.
- Do not operate unit if it has been damaged or if the power cord/plug has been damaged.
- In the event of a power failure, always turn the power switch to its OFF position.
- Keep the power cord away from heated surfaces.

CLEANING AND DISINFECTING PROCEDURES

Please check your state board requirements for cleaning and disinfecting procedures. You must clean and disinfect your portable spa after each pedicure, after the last pedicure of the day, and once a week for overnight cleaning. Cleaning your spa will keep it in good working condition and will kill harmful bacteria and germs that can cause infection.

TO CLEAN YOUR PORTABLE SPA

After each pedicure:

- Drain water from portable spa and remove all debris
- Clean all the surfaces and components using low-sudsing soap or detergent, and a non-abrasive brush. Remove all visible residues from basin and rinse with the sprayer.
- Never use ammonia or harsh chemicals
- Only use EPA approved disinfectants to clean the spa
- Rinse off with clean water using the sprayer and wipe dry with a clean towel

After last pedicure of the day:

- Repeat all the steps listed above.
- Pour into basin three teaspoons of low foaming dishwasher crystals (not gel) for up to six gallons of water. Follow your state board requirements as they may differ.
- Turn on the jets and let the spa run for ten minutes.
- Turn off the jets and drain the water from the basin.
- Rinse the basin with clean water using the sprayer.
- Refill the basin with clean water. Turn the jets on and run for one minute.
- Drain the water from the basin and turn off the jets. Wipe dry with a clean towel.

Once a week:

- Repeat steps for “after each pedicure”
- Pour into basin three teaspoons of low foaming dishwasher crystals (not gel) for up to six gallons of water. Follow your state board requirements as they may differ.
- Turn on the jets and let the spa run for ten minutes.
- Turn jets off and let solution sit over night in basin (six to ten hours).
- On the next day you drain, rinse, and wipe dry with a clean towel.
- Make sure to keep record of the date and time of the cleaning for last pedicure of the day and overnight cleaning.

CAUTION: Cleaning products that contain abrasives can damage your spa. Only use non-abrasive products.

LIMITED CONDITIONAL WARRANTY

The Nail Superstore conditionally warrants your portable spa in accordance with the terms and conditions below for one year from the date of purchase. The warranty only applies to the portable spa's original customer. This warranty is non-transferable.

If at any time during the warranty period the spa fails to function properly due to manufacturer defect, distributor/manufacturer will, at its option, repair or replace the defective component or part. The customer shall bear all charges incurred for the shipping of replacement components, parts or a replacement pedicure spa.

The warranty is subject to the following conditions:

- You must keep your invoice or provide other proof of purchase.
- You must notify manufacturer within thirty (30) days after you discover a defective product or part.
- All warranty servicing of this product must be made by manufacturer.
- Warranty extends only to defects in materials or workmanship as limited above and does not extend to any product or parts which have been lost or discarded.
- This warranty is void if instructions enclosed are not followed or if the appliance is damaged through abuse, misuse, tampering, improper installation, or by use with unauthorized attachments. If units have been altered or modified without authorization from manufacturer they are no longer under warranty.
- You must properly clean and sanitize the portable spa according to the manufacturer's instructions and your state board. Repeated use of sodium hypochlorite solutions (chlorine bleach) and other concentrated ether solutions or acetone will damage plumbing components and void the limited warranty on those parts.

This warranty does not apply:

- To any damage caused by any casualty including: accident, fire, wind, floods, act of nature, or attempted theft.
- To any workmanship of a fabricator or installer of the portable spa.
- If damage to spa is due to obstructed plumbing.
- To staining, fading, or discoloration of the portable spa due to water additives or improper water treatment.
- To malfunctions or damage caused by improper installation of the portable spa.
- To damage resulting from a person standing in the portable spa or other similar stress to the spa.
- To damage caused by the freight carrier.

Before returning any part or spa for repair due to a defect or malfunction, please contact customer service at **847-260-4000**. Any return must be authorized in advance and if freight is needed it must be prepaid.