

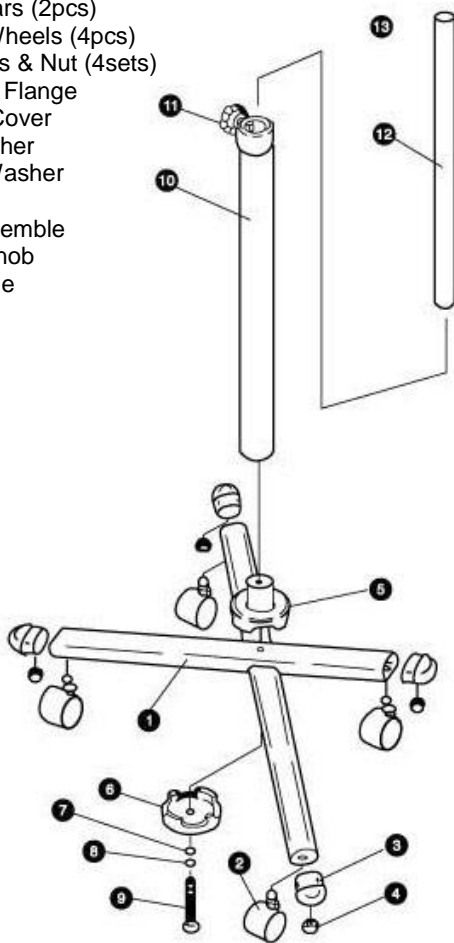
DLO5 / DLO5WM HAIR DRYER

Before installing and using this unit, please carefully read these instructions. Be sure to keep this available for later reference.

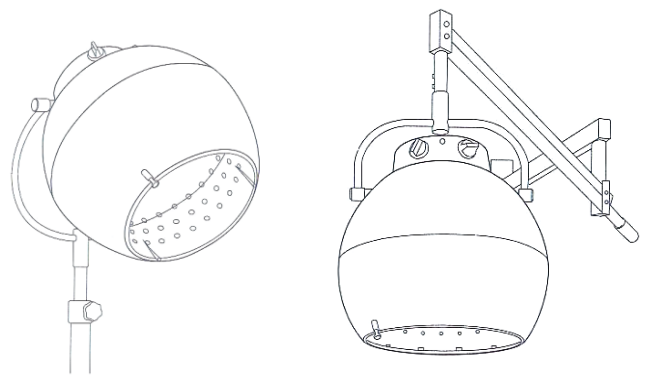
120V, 650/1000W , 5.42/8.33amps

PARTS LIST - STAND

1. Cross Bars (2pcs)
2. Caster Wheels (4pcs)
3. End Caps & Nut (4sets)
4. Top Cap Flange
5. Bottom Cover
6. Flat Washer
7. Spring Washer
8. Bolt
9. Pole Assemble
10. Screw Knob
11. Inner Pole



CAUTION: DO NOT insert inner pole alone into pole assembly. Strong spring tension may cause serious injury during assembly / disassembly.



STAND ASSEMBLY

REMOVE ALL PACKING MATERIAL BEFORE ASSEMBLING

1. Install end caps using the nuts provided
2. Twist / push in caster wheels
3. Place the cross bars perpendicular to one another with the caster wheels facing down
4. Place the plastic cap over the cross bars
5. Secure cross bar assembly with bottom cover using flat washer, spring washer, and bolt. To keep the stand from wobbling check that the bolt is securely and tight.
6. Place the pole assembly onto the cap flange
7. Insert the inner pole into the pole assembly and secure with screw knob.
8. Carefully place the dryer head onto the stand and secure with screw.

OPERATION

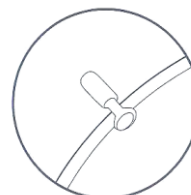
DRYER SHOULD ONLY BE USED ON A STURDY FLAT SURFACE. THE ROLLER STAND IS INTENDED TO STAND ON THE FLOOR. DO NOT PLACE ON ELEVATED SURFACES LIKE TABLES AND ETC.

General Operation

1. Plug unit into power source
2. Select the desired heat setting (68°-131°F)
3. The timer knob turns the unit ON/OFF (0-60min)
4. Select the desired time setting
5. Lower hood over clients head

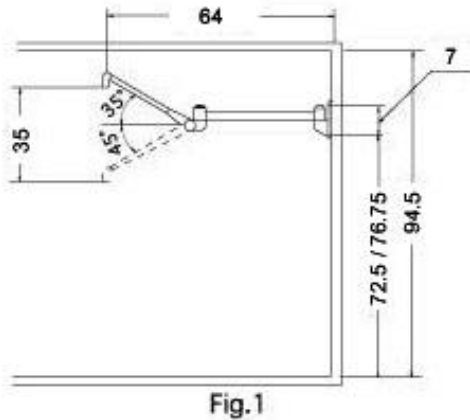
Adjusting the Wind Volume

To adjust the wind volume, push in/out the side tab located on the hood.



WALL MOUNT: PRE-INSTALLATION

LITERATURE DIMENSIONS ARE FOR GENERAL REFERENCE USE ONLY. INSTALLATION DIMENSIONS SHOULD BE TAKEN DIRECTLY FROM THE UNIT. GARFIELD RECOMMENDS THAT A LICENSED CONTRACTOR AND/OR ELECTRICIAN PLAN & PERFORM INSTALLATION.



Wall -The wall must be strong enough to support the arm assembly and dryer head.

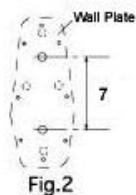
Recommended Height - Wall bracket should be mounted 72.5" – 76.5" from the finish floor line.

Electrical Source - An electrical source with proper power should be prepared and located within 19" of the wall bracket.

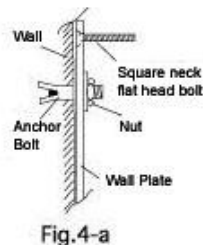
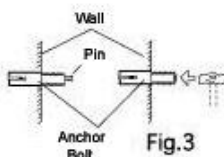
WALL PLATE & BRACKET

WALL PLATE AND BRACKET SUPPORT A LARGE LOAD. BE SURE THAT WALL PLATE BRACKET ARE SECURELY INSTALLED.

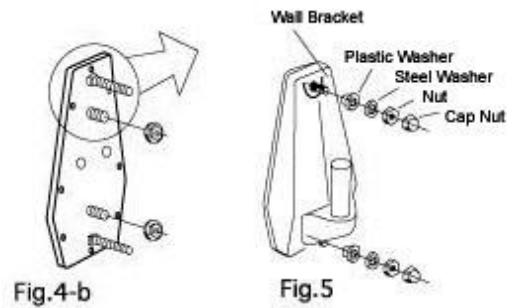
- Using the wall plate as a template, drill 2 holes on the wall. You may need a leveler to ensure that the 2 holes are straight and aligned.



- Insert the anchor bolts (supplied).
- Hammer the anchor pins into the anchor bolts.
- Insert the square neck flat head bolts to the wall plate (Fig. 4a). Attach the wall plate to the wall on anchor bolts and affix with nuts.



- Attach the bracket over the square neck bolts and tighten with plastic washers, steel washers and nuts. (Fig. 5).

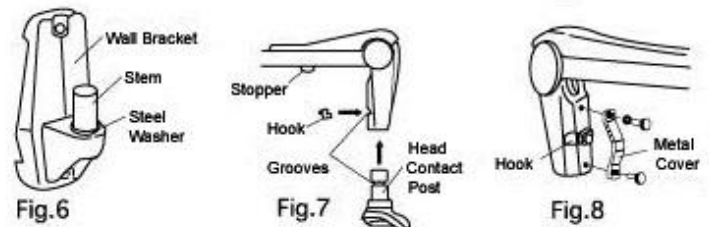


ARM ASSEMBLY & MACHINE HEAD

- Place the steel washer onto the stem of the wall bracket and mount the arm assembly onto the stem (Fig. 6).
- Remove the hook by loosening the screw.
- Insert the contact post into the tip of the arm assembly. Match the grooves on the contact post to the hook (Fig. 7).
- Reinstall the hook into the slot and tighten firmly.
- Attach the metal cover over the hook (Fig. 8)
- Remove the stopper.

CAUTION: DO NOT remove stopper until machine head is fully mounted. Strong spring tension may cause serious injury during assembly / disassembly.

- Connect the power cable to the electrical source.



ADJUSTMENT

Height Restriction (Fig. 9) If the machine head hits the ceiling, remove metal cover and adjust the nut as shown.

Tension If the machine head drifts to the left or the right, remove arm cover (Fig. 10). Using an allen wrench, adjust nut (Fig. 11).

"+" Increase: Turn clockwise

"-" Decrease: Turn counter clockwise

