

Table of Contents

Introduction	3
Safety	4
Identification	5
Specification	5
Dimensions	6
Installation	7-8
Pedicure Spa Operation	9
Spa Cleaning	10

Introduction

Congratulations for choosing the Alessi Pedicure Spa! Featuring a Pipeless Whirlpool System and pullout sprayer to provide beneficial therapeutic water, ensuring your customers will experience comfort in style. Your technicians will appreciate the easily accessible, yet out-of-the-way controls, along with the simple components for fast and effective cleaning between appointments.

PLEASE READ THIS MANUAL THOROUGHLY AND RETAIN IT FOR FUTURE REFERENCE.

For any questions or concerns regarding the pedicure spa, feel free to contact our customer service for technical support.

Phone	972-926-6488 Monday-Friday / 9AM-5PM CST
Email	service@aycllc.com

Shipment Inspection

Immediately examine the shipment thoroughly for damages upon arrival. It is imperative that you notify the driver and insist on a notation of the damage. Make the notation directly on the freight waybill or bill of lading. Failure to note damage on the waybill or bill of lading may impede and/or prevent any claims that you may have against the freight carrier.

If missing parts or concealed damage is found, notify the carrier at once and request an inspection. *DO NOT DISCARD THE SHIPPING BOX.* If you give the carrier a clear receipt of goods that have been damaged in transit, this will be at your own risk and expense.

Important Requirements

- ♣ Contact your local, licensed plumber and licensed electrician to install your new pedicure spa. Installation must be in compliance with all your local and state building codes.
- ♣ Contact your local building inspector for information and local code compliance procedures that need to be followed when having your pedicure spa installed.
- ♣ Subsequent inspections and approvals that may be required are the responsibility of the purchaser.
- ♣ All outlets connected to pedicure spas must include a GFCI device (Ground Fault Circuit Interrupter) which reduces the risk of electric shock.
- ♣ Adequate electrical power, sufficient water pressure, proper water temperature, and required drainage capabilities are necessary to operate pedicure spas safely and efficiently.

Safety

DANGER: Risk of Electric Shock. Connect only to a circuit protected by a ground fault circuit interrupter GROUNDING IS REQUIRED. The unit should be installed by a qualified service representative and grounded. Install to permit access for servicing.

WARNING: Risk of electric shock; do not permit electric appliances (ex. hair dryer, telephone, radio, or television) within 5 feet (1.5 meters) of pedicure spa.

CAUTION: Risk of electric shock. Disconnect electric power before servicing.

WARNING: Risk of hyperthermia and possible drowning;

- ♣ Water temperature in excess of $38^{\circ} C$ ($101^{\circ} F$) may be harmful to your health. Always check and adjust water temperature before use.
- ♣ Do not use immediately following a strenuous exercise.
- ♣ People using medications and/or having an adverse medical history should consult a physician before using a pedicure spa.

WARNING: Risk of accidental injury or drowning;

- ♣ Children should not use spa without adult supervision.
- ♣ Do not use unit unless all suction guards are installed to prevent body and hair entrapment.
- ♣ Do not use drugs or alcohol before or during the use of spa to avoid unconsciousness and possible drowning.

WARNING: To avoid injury,

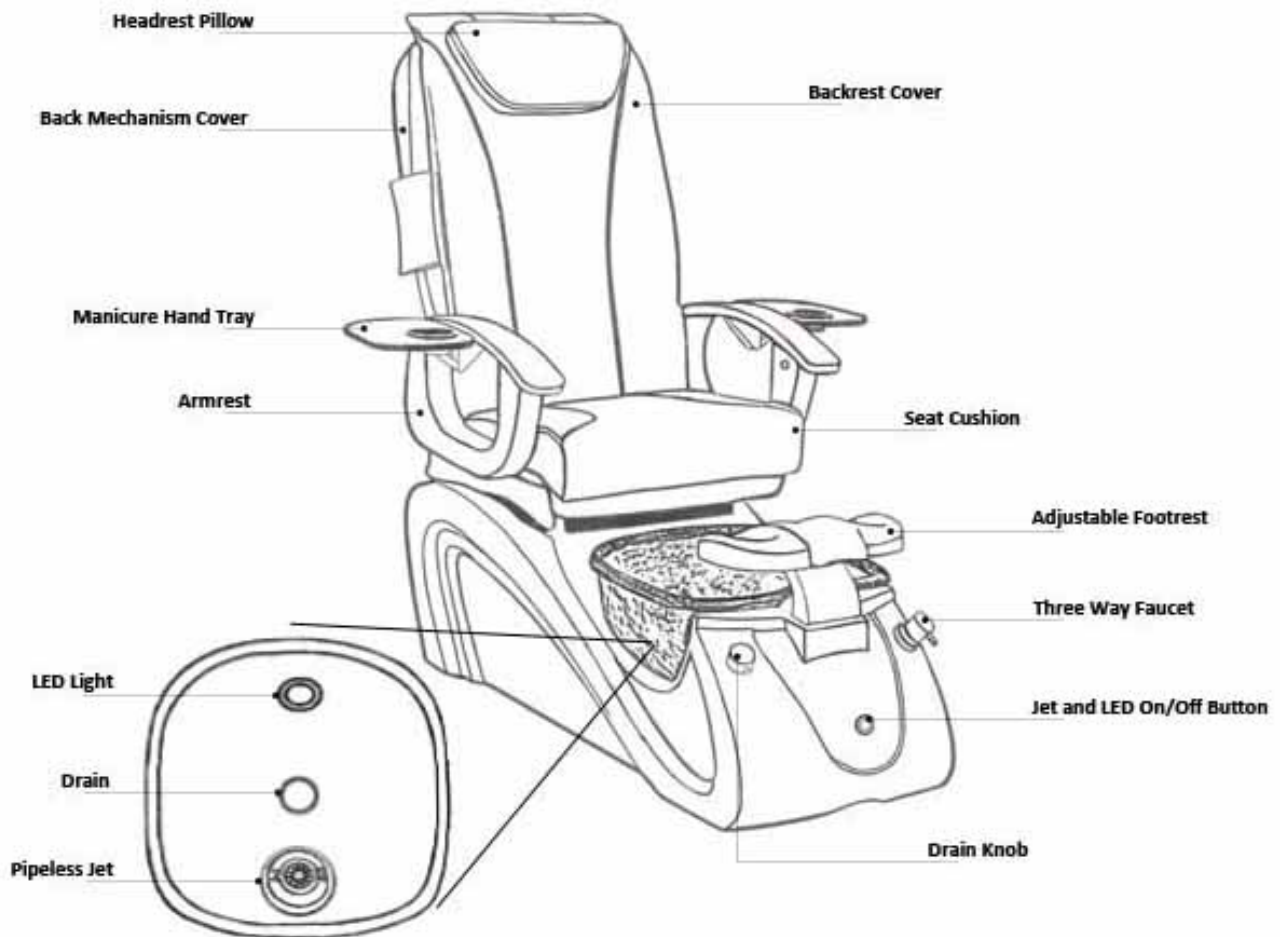
- ♣ Exercise care when entering or exiting the Pedicure spa.
- ♣ Do not step/stand in foot basin.
- ♣ Maximum load for unit is 250lbs (114kg).
- ♣ Do not operate outdoors and on carpet or wood floors.
- ♣ Pregnant or possibly pregnant women should consult a physician before using.

Health Risk Warning

If there is any experience of pain or discomfort, stop use of the pedicure spa immediately.

- ♣ Persons with conditions such as heart disease, malignant tumor, pregnancy, conditions requiring rest, and back disease or trouble from an injury or accident should consult a physician before using the massage chair.
- ♣ Persons with diabetes, swelling, fracture, or persistent pain should consult a physician before using the spa basin and jets.
- ♣ Persons with inflamed legs or feet, open wounds, or fungal infections should not use the spa basin and jets.
- ♣ Misuse or failure to properly clean pedicure spa unit may result in serious health issues, bodily injury, and/or death.

Identification



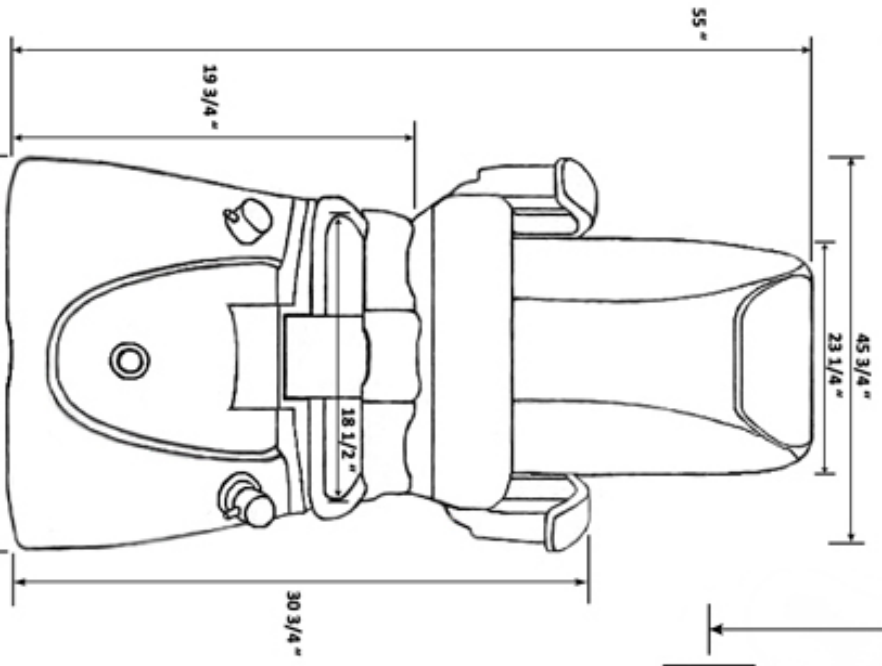
Specification

Dimensions	Spa & Chair	Spa	Chair
Gross (Shipping)	-	55"(L) x 24"(W) x 30"(H)	42"(L) x 30"(W) x 21"(H)
Net (Assembled)	67"(L) x 30"(W) x 55"(H)	49"(L) x 20"(W) x 26"(H)	30"(L) x 46"(W) x 35"(H)
Weight	Spa & Chair	Spa	Chair
Gross (Shipping)	243	100	143
Net (Assembled)	211	85	126
Tub Capacity	~ 4.5 Gallons		
Power Source	110V @ 15A 60Hz (GFCI Protected)		
Pipeless Jet	120V @ 30W 60Hz		
Massage Chair	24VDC @ 135W 60 Hz		
LED Light	In: 120V @ 28VA 60hz, Out: 12V @ 1.67A 60Hz		
Discharge Pump (Optional)	115V @ 2.5A 60Hz		
Switches	On/Off Air Button		

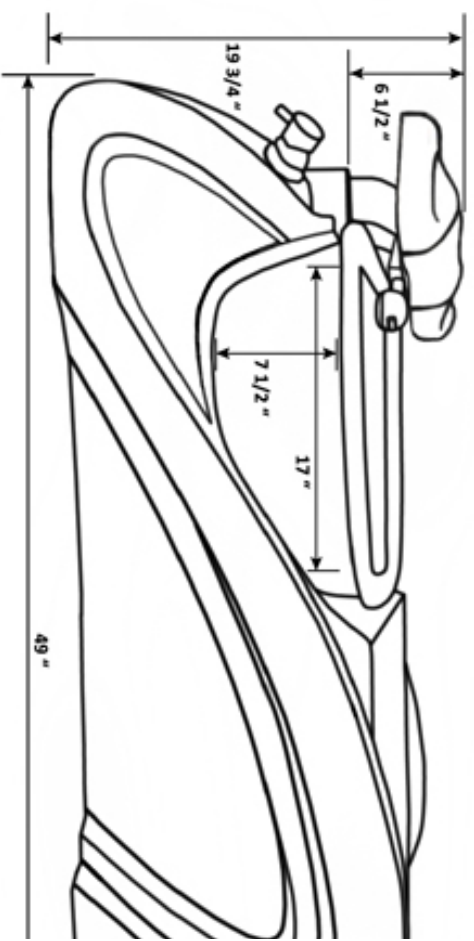
Due to continuous improvements, design and specifications are subject to change without notice.

HH-029 DIMENSIONS

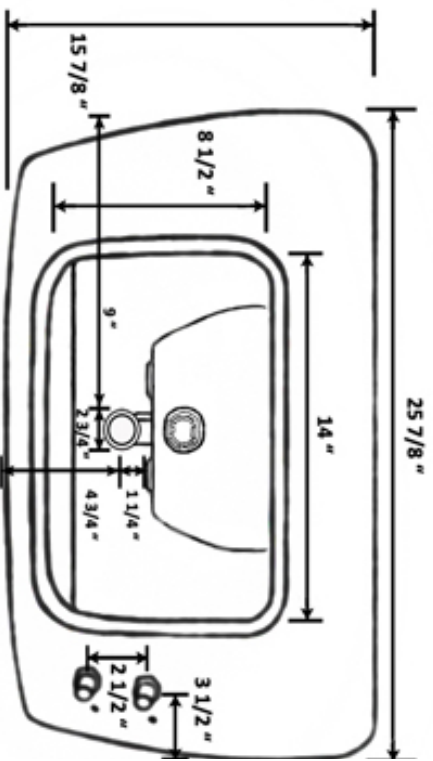
Front View



Side View

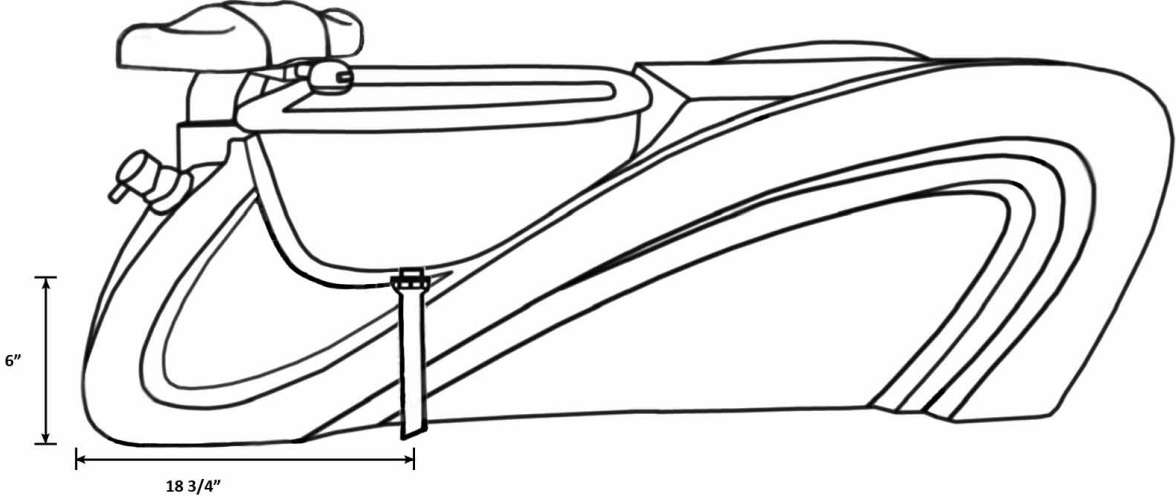


Rear View

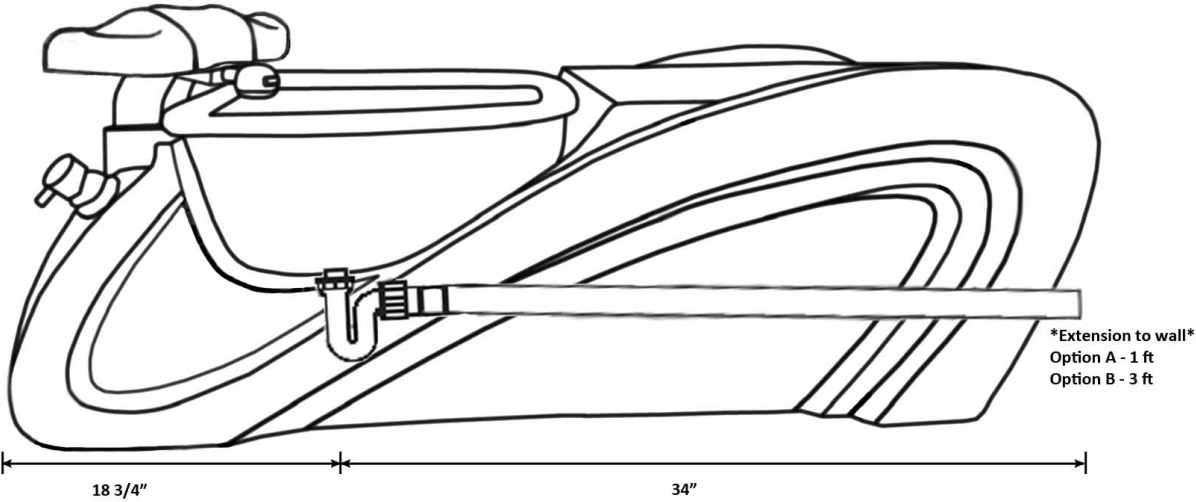


Installation

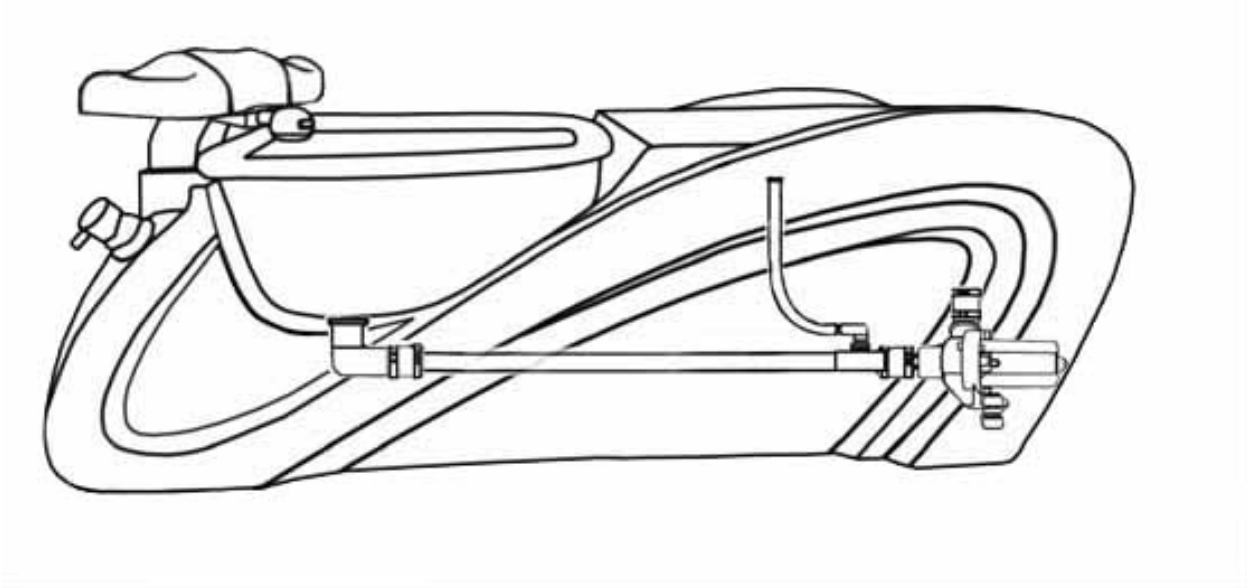
Floor Drain



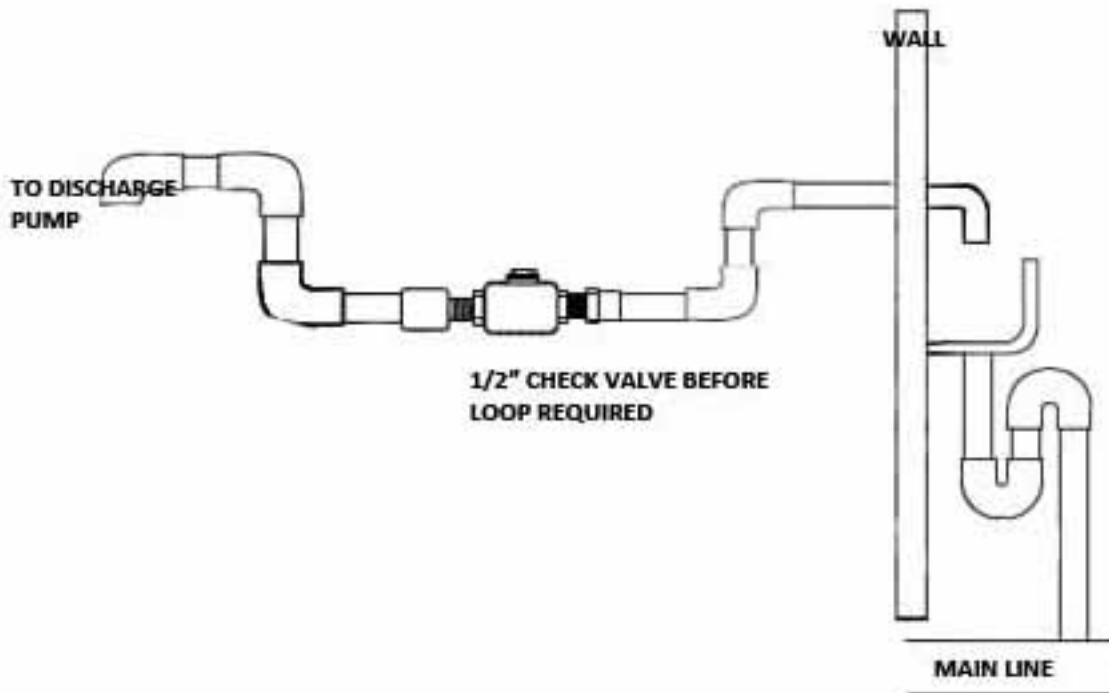
Wall Drain (Recommended)



Power Drain (Discharge pump only)



Products with discharge pumps are shipped as shown above. Additional parts are required to complete installation, as detailed below.

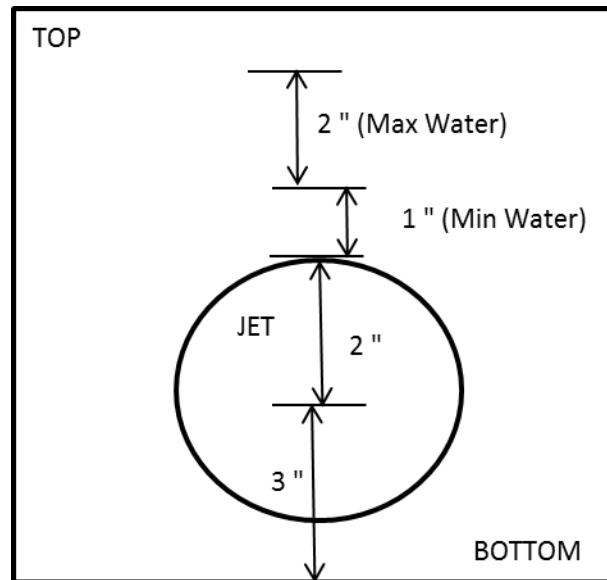


Pedicure Spa Operation

WARNING: It is important to properly clean and disinfect the basin before initial use and after each use.

Adding Water to Pedicure Spa

1. Close drain by turning overflow (drain) knob counter-clockwise until it stops.
2. Lift up on the three way faucet to add water to the basin. Follow color indicators, red (hot) and blue (cold), located on the handle or turn the handle counter-clockwise for cold and clockwise for hot.
3. Fill basin until the jet is submerged by at least 1" of water. Refer to diagram below for a visual example.



CAUTION: Water temperature should never exceed 101° F (38° C). Always check water temperature before use.

4. Push the handle on faucet down to shut off water.

Using the Whirlpool Jet

WARNING: Do not run dry! Basin must be filled with water to at least minimum level.

1. Check to make sure jet cover is secured in place. The discharge ports must be positioned at 3 and 9 o'clock. On magnetic jets the cover will lock into the 4 dimples on the magnetic field. Impacts on the jet cover can cause damage and shorten its life expectancy.
2. Press the air button to turn on both the jet and LED light located in basin.
3. Press the air button again to turn off the jet and LED.

Removing Water from Pedicure Spa

1. Before draining water make sure whirlpool jets are off and have stopped completely.
2.
 - A. For floor drains, turn the overflow knob clockwise until it stops, water level will begin to lower.
 - B. For wall drains, turn the overflow knob clockwise until it stops. It is important to close the cap for each use, as failing to do so will result in contamination of the system.
 - C. For power drains (discharge pump only), turn the overflow knob clockwise until it stops. Then press the air button to engage the pump to remove water. It is recommended to turn off pump if all water has been drained. Pump can overheat if operated for more than 10 minutes.

Spa Cleaning

Always check with the state board code in your area for specific spa disinfectant procedures.

Per Customer Cleaning

1. Remove jet cover and remove debris with water spray.
2. Apply disinfectant to impeller and the inside and outside of jet cover.
3. Replace jet cover and make sure its secured in place.
4. Apply disinfectant to rest of spa basin surface and wipe down the area.
5. Apply disinfectant to footrest and armrest and wipe down the area.
6. Wait 10 minutes to allow the disinfecting process to complete.

End of Day Cleaning

1. Remove jet cover and use a soft brush to remove possible debris from the inside and outside.
2. Use a soft brush to remove possible debris from the impeller.
3. Before replacing the jet cover, it must be totally immersed in an EPA registered solution.
4. Flush system with EPA registered solution and circulate for 10 minutes.
5. Rinse with clean water and drain.
6. Apply disinfectant to rest of spa basin surface, footrest, and armrest and wipe down the area.
7. Spa is now ready for customer next day.

Jet Cleaning

1. Turn off unit and make sure motor comes to a complete stop.
2. Remove front cover then remove the impeller and impeller cover.
3. Clean all plastic parts with anti-bacterial solution (EPA registered).
4. Reassemble impeller and impeller cover, then the front cover.

Magnetic Jet Cleaning

1. Turn off unit and make sure motor comes to a complete stop.
2. Hold jet cover firmly and pull to separate from round magnetic field.
3. Turn jet cover to left to open and remove impeller.
4. Clean all parts with anti-bacterial solution (EPA registered).
5. Replace impeller inside cover and turn jet cover to the right to lock.
6. Place the jet cover back to the round magnetic field and make sure it locks in.

NOTE:

1. Surfactants and chelating detergents that are low foaming are required to properly disinfect whirlpool pedicure spas. EPA registered disinfectants are recommended in order to remove body oils, mineral oils, organic oil additives, skin cells, and etc. that can build up and cause microorganism growth in the spa basin.
2. Oil based products can be used but requires strict adherence to proper cleaning guidelines. The reason they are not recommended is because they can cause clogging to the jet and build up on the basin surfaces.