

TD2911 Klyne Backwash Unit Specification and Cut Sheet



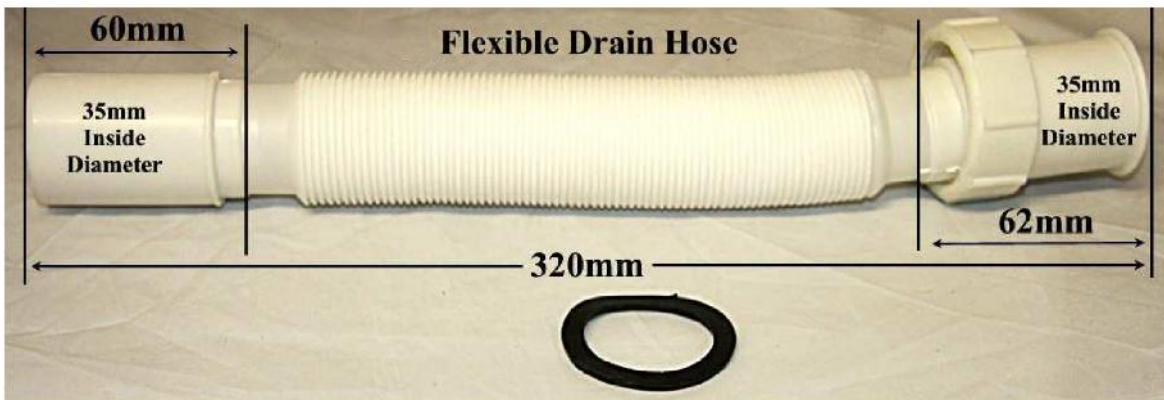
- **A very lightweight Shampoo Backwash Unit (110 pounds assembled).**
 - **One shipping box item.**
 - **Attach the Bowl to the Base.**
 - **Attach the Faucet, Shower Hose. Attach a Vacuum Breaker (if needed).**
 - **Connect to a Hot & Cold water supply and to a waste water drain.**
 - **Anchor the Backwash Unit to your floor (anchors are NOT provided).**

NOTE: A qualified Plumber should be employed to assemble this Shampoo Backwash Unit. Install in a waterproof environment (for example on a tile or concrete floor). Wood floors should not be used without first putting down a waterproof rubber mat.

**Black Satin
Matte Vinyl**



Black Satin Matte Vinyl

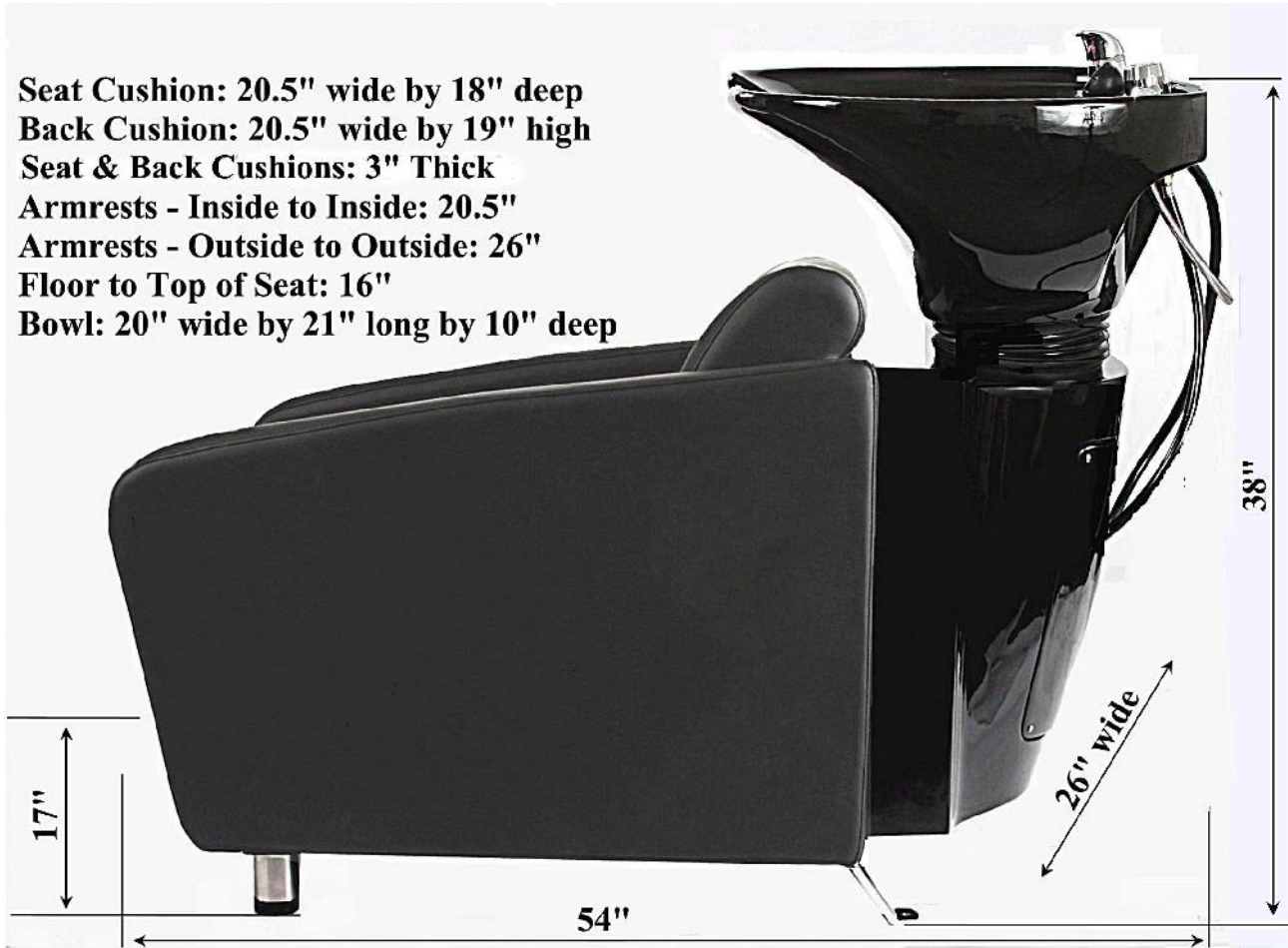


The White Flexible Drain Hose pictured above has been made to American Standard fittings

- 1.5 inches in diameter - with a collapsed length of about 14 inches.
- Flexible Drain Hose should be used in the collapsed position.
- Gaskets and Waste End fittings are included.
- Material: heavy-duty white polypropylene.

Note: Remove the access door to gain access to the interior of the Backwash Unit (access hole is approximately 12" high by 8" wide).

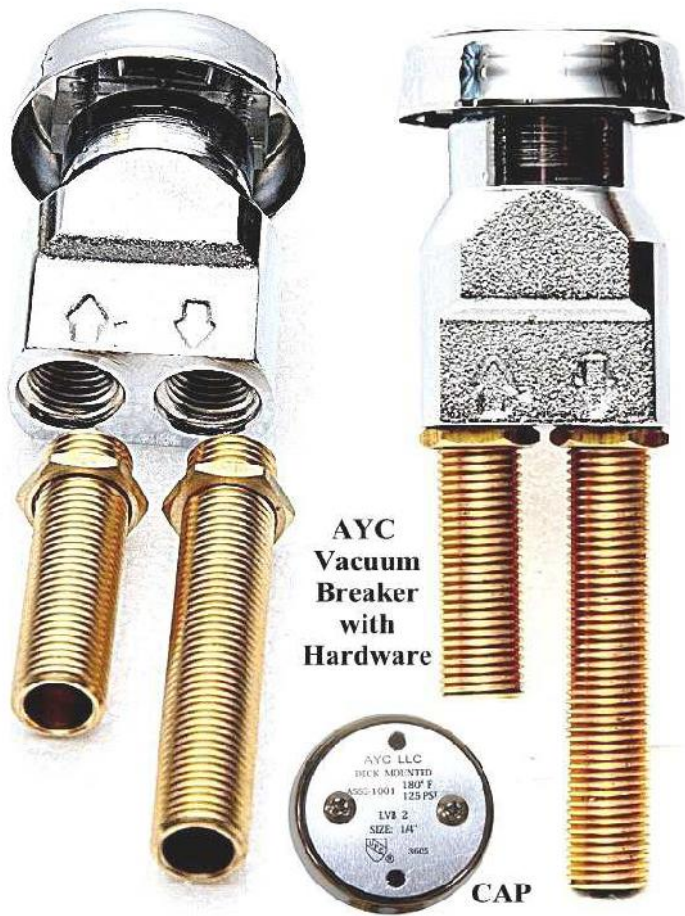
Seat Cushion: 20.5" wide by 18" deep
Back Cushion: 20.5" wide by 19" high
Seat & Back Cushions: 3" Thick
Armrests - Inside to Inside: 20.5"
Armrests - Outside to Outside: 26"
Floor to Top of Seat: 16"
Bowl: 20" wide by 21" long by 10" deep



**AYC
Vacuum
Breaker
(if your
plumbing
Codes
require
one).**

**AYC
Shower
Hose &
Shower
Head
Combo
(see next
page).**





AYC
Vacuum
Breaker
with
Hardware

CAP

A vacuum breaker is an attachment that prevents water from being siphoned backward into the public drinking water system.

This prevents contamination should the public drinking water system's pressure drop.

A vacuum breaker typically contains a plastic disc that is pressed forward by water supply pressure, and covers small vent holes.

Should the supply pressure drop, the disc springs back opening the vent holes (which let in outside air), and preventing backflow of water.

This device is sold separately.

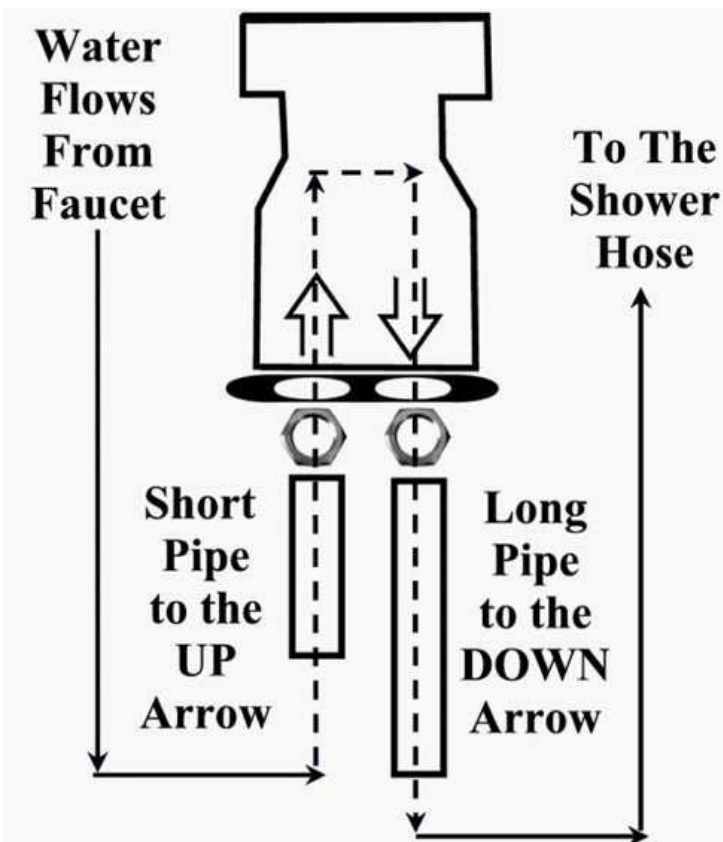
Check your local building codes to determine if this device is necessary.

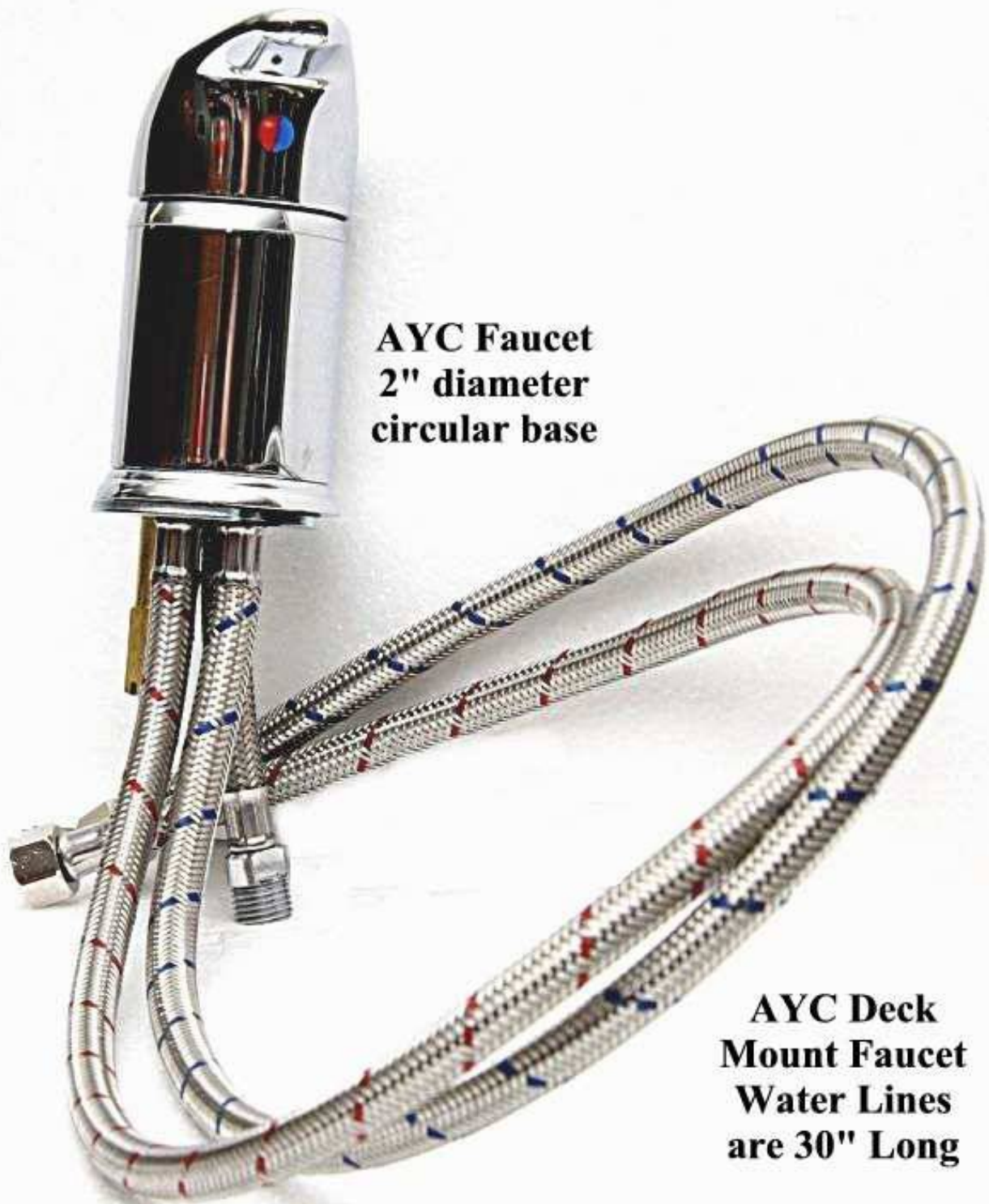
SPECIAL NOTE:

Water pressure (at the faucet) should never exceed 60 PSI.

Optimal operating water pressure should be in the 30-PSI to 45-PSI range.

You should know where your water shut-offs are located as well as the location of your building's pressure regulator.





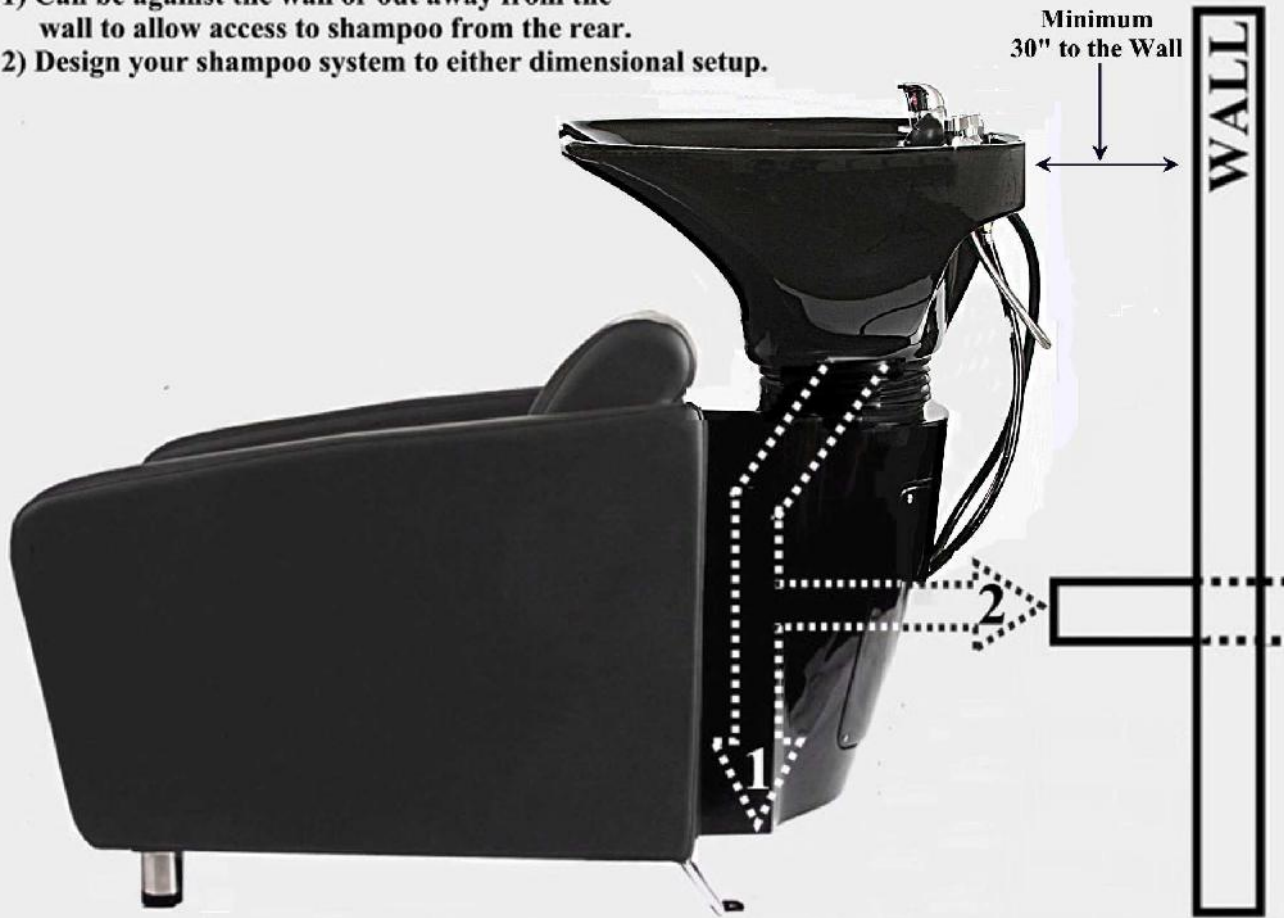
**AYC Faucet
2" diameter
circular base**

**AYC Deck
Mount Faucet
Water Lines
are 30" Long**

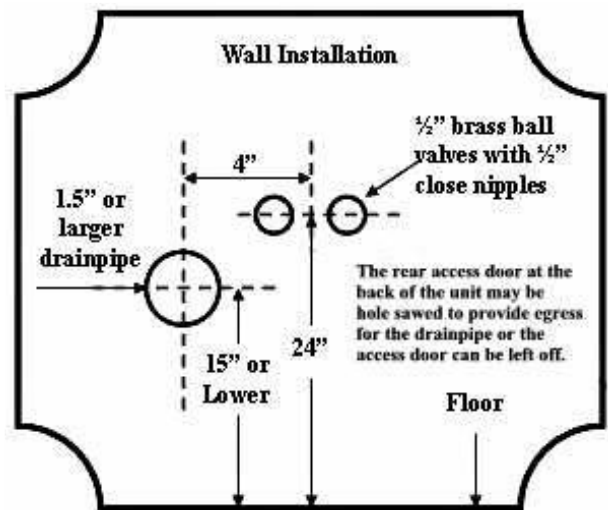
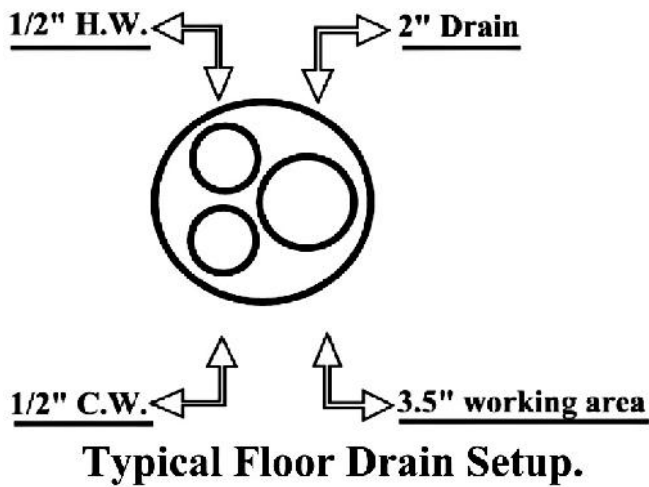
Water Lines can be extended to 48" with AYC Water Line Extensions.

Freestanding - Shampoo Backwash Installation:

- 1) Can be against the wall or out away from the wall to allow access to shampoo from the rear.
- 2) Design your shampoo system to either dimensional setup.



Minimum of 10" to the wall - when plumbing out the access door.
 Floor Drain (1) - Minimum of 48" to the Wall.



- Scenario #1 = typical floor setup for the drain and water lines.
 Scenario #2 = typical wall setup and dimensions for the drain & water lines.