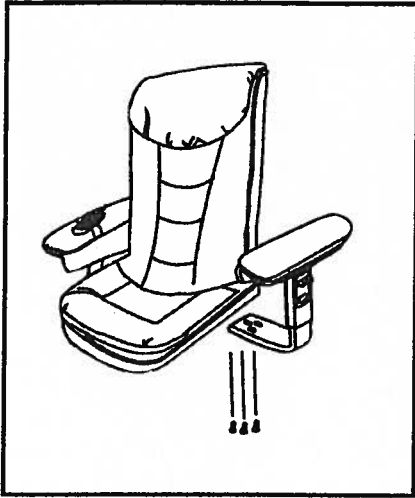
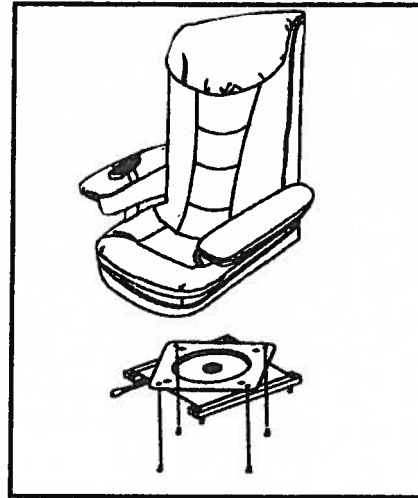


PS74/PS75 GRANITO JET SPA

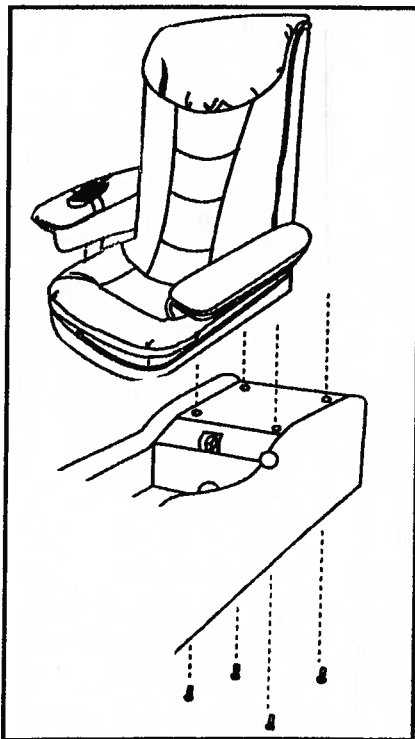
Your Foot spa is shipped with base chair already attached at separate carton box. However, you must install the chair as below.



Suit the holes of chair arm to the metal frame at the bottom of chair seat then



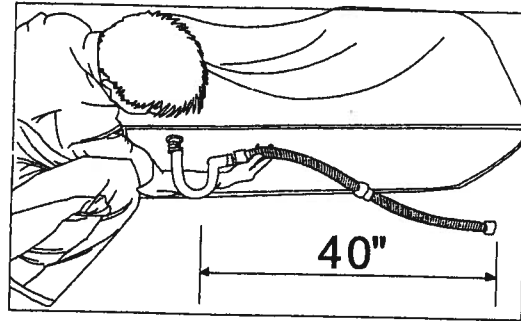
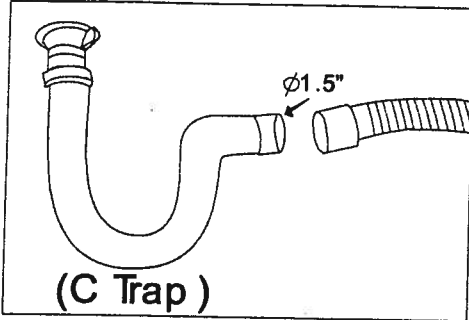
Suit the holes of swivel to the metal frame at the bottom of chair seat then lock it by enclosed tool.



- Insert four bolts with washer into hole of spa.
- Lock washer and nut from the below of spa base.
- Make sure lock it tightly for safety.

- **Drain Facilities**

Connect the C trap of footspa drain system with enclosed drain pipe before you drain water from the tub. You can ask your local, qualified electrician and plumber to install a discharge pump if necessary.



- **Footspa must be securely fastened to the floor**

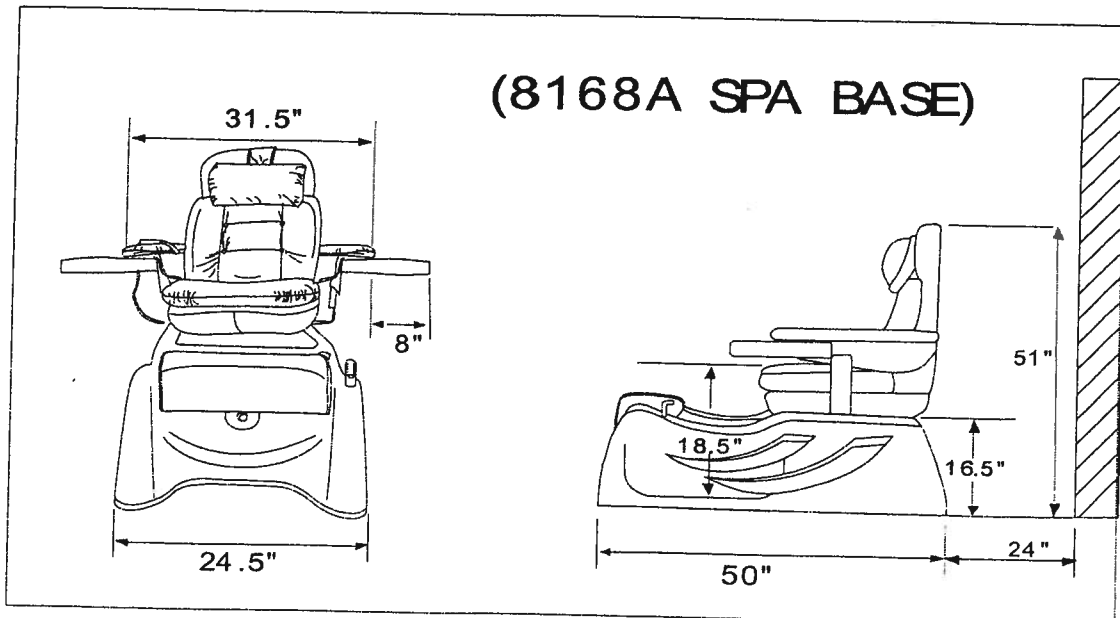
Fasten the footspa with at least two fasteners at each side for safety.

Installation Summary -----

The installation must comply with local , state , and national building, plumbing and electrical codes, where applicable. A licensed plumber should complete the plumbing of the foot spa.

- **Step 1 : Location**

Select a level location where the floor structure beneath the Footspa is capable of supporting the Footspa. For the seat back to fully recline the Footspa base must be mounted a minimum distance from the wall.



Important Installation Considerations

- **Electrical Service**

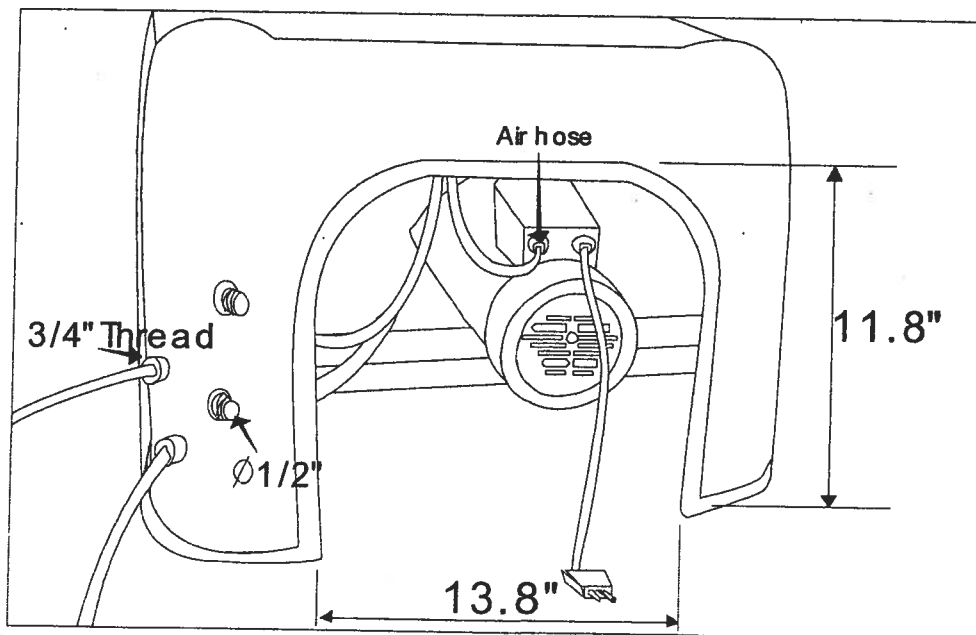
Check the voltage first and install a leak current breaker by a licensed electrician to ensure the safety operation.

Each footspa must have its own dedicated 110V / 60 Hz , 15 Amp GFCI protected grounded circuit .

- **Water Supply**

Water supply to the foot spa should consist of a system that will provide both adequate water pressure and water temperature. All plumbing connections must conform to local codes.

Normal water pressure is required to correctly fill the tub to the proper (water spout should not be inundated with water).



- **Plumbing connections**

All plumbing connections drain and fresh hot / cold water should be made by a qualified, licensed plumber in accordance with local plumbing and building codes.

- a. Connect Hot and Cold water supply:**

Carefully connect 1/2- ID supply tubes to a fresh water source. Shut-off valves should be utilized.

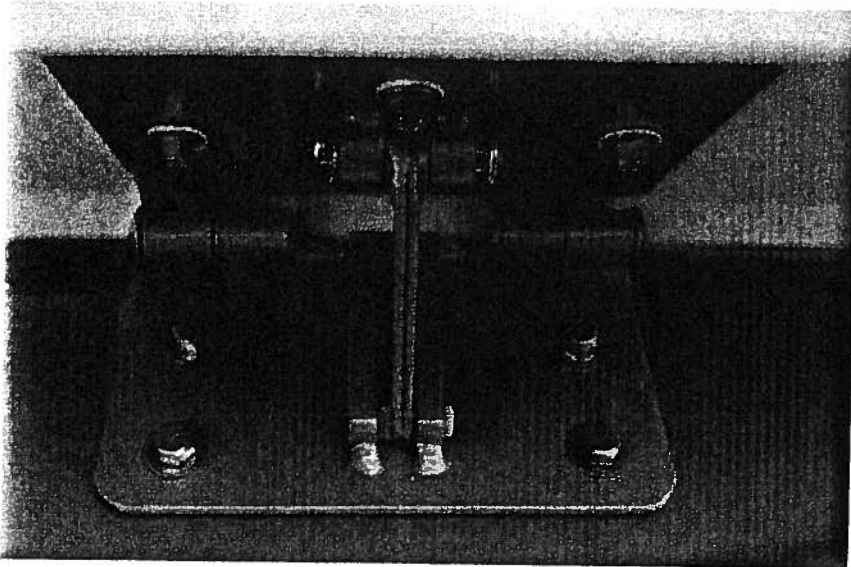
- b. Connect drain line:**

Using 1 1/4" scheduled PVC drain pipe and appropriate traps, connect drain to meet local plumbing codes.

- **Electrical Connection: Made sure voltage of your area before connect it.**

All electrical connections MUST be made by a qualified, licensed electrician in accordance with Local and National Electrical and Building Codes. A 110V, 60Hz, 15 Amps. Or 220V, 50Hz , 10Amps GFCI protected grounded circuit MUST be used to supply power to the Pedicure Spa.

- **Connect foot rest bracket :**



- **Testing the Pedicure Spa :**

After the plumbing and electrical connections have been made and the base unit has been secured to the floor, clean the tub and fill with water HIGH than jet(s) .

After the tub is filled with enough water, press the button on the front of the Pedicure Spa to turn the jet motor on and check for leaks at the drain overflow and all inlet and suction fittings. After checking under the tub for leaks, press the same button to turn the pump motor off and drain.

Electrical and Plumbing Requirements

The Pedicure Spa must be conveniently located near adequate utilities as follow:

- **Electrical Requirement**

An 120V, 60 Hz, 15 Amp or , 220V-240V/ 50HZ , 10 A , GFCI (Ground Fault Circuit Interrupter) MUST be used to supply power to the Foot Spa. (depend on what voltage using in your area)

WARNING: You must call a qualified electrician to connect the pedicure spa. Failure to do so may result in serious injury or death due to electrical shock.

- **Water Supply :**

Water supply to the Pedicure Spa should consist of a system that will provide both adequate water pressure and water temperature. All plumbing connections must conform to local codes.

- **Water pressure:**

Normal water pressure of 30 -120 P.S.I. is required to correctly fill the tub to proper levels

- **Water temperature:**

The water temperature should never exceed 105 F°. This temperature should not create a problem for any normal water heater in good working order.

- **Water Drain Line:**

Connect the footspa drain system with enclosed drain pipe before you drain water from the tub. You can ask your local, qualified electrician and plumber to install a discharge pump if necessary.

Installation

Please read carefully and follow all instructions in this manual. The installation must comply with local, state and national building, plumbing and electrical codes, where applicable. A licensed plumber should complete the installation. Electrical wiring, components and connections must be completed by a licensed electrician.

- **Floor Level:**

Select a level location where the floor structure beneath the Pedicure Spa is capable of supporting it.

IMPORTANT: For safety, the base of the Pedicure Spa must be a minimum of 22” from the back wall. If this distance is less, the seat back will still recline; however, it will hit the back wall

● **Add Water to the Pedicure Spa Basin:**

- a. Turn the overflow knob counter-clockwise until it stops to close drain hole.
- b. Lift upward on the hot & cold control mixer to add water to the basin.
- c. Turn the handle in a counter-clockwise direction for cold water or clockwise for warm water as indicated by the red (hot) and blue (cold) markings under the handle. Continue to add water until the fill line is reached.

CAUTION: Always check water temperature before use; hot water can burn skin. Water temperature should not exceed 105° F (38° C)

● **Turn off water:**

Turn the off water by pushing the handle downward. Start or stop the whirlpool by pressing the On/Off Air Switch button.

● **Remove water from the Pedicure Spa Basin:**

Make sure that the whirlpool jet is turned off by pressing the on/off button. For use with a floor drain, simply open the drain by turning the overflow knob in a clockwise direction until it stops. You should see the water level lowering as water exits the basin.

● **Remove water with the drain pump (optional):**

For use with the optional drain pump feature, open the drain before you turn on drain pump. Press the round button in the front panel.

The water level will lower as water is pumped out of the basin. Turn the pump off by pressing the button in the front panel once the basin is fully drained (NOTE: the drain pump will automatically shut off after 3 minutes.) We recommend turning off the pump manually if all water has drained before automatic shut-off. Drain pump may overheat if operated more than 10 minutes.

NOTE: If you are using a wall drain, it is very important that you close the drain cap for each use. Failure to do so will result in contamination of the system.

NOTE: DO NOT turn the spa "ON" unless adequate water is fully filled in the tub

NOTE :

Do not drain the tub until the pump has completely stopped operating. Turn the overflow/waste assembly to drain the water from the tub and plumbing system. **IMPORTANT:** The entire system is automatically self-draining and should be drained after each use so that no stagnant water remains in the whirlpool system.

