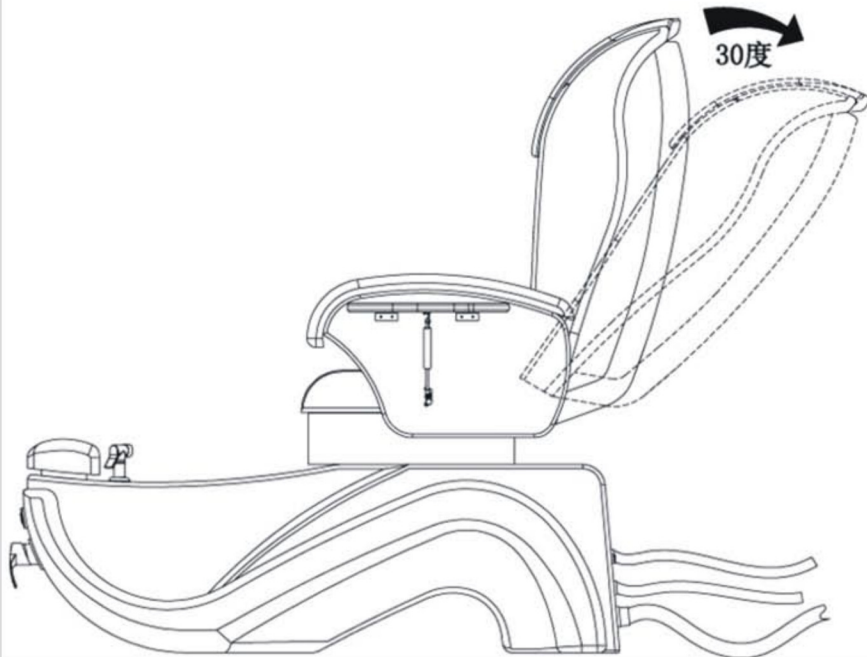
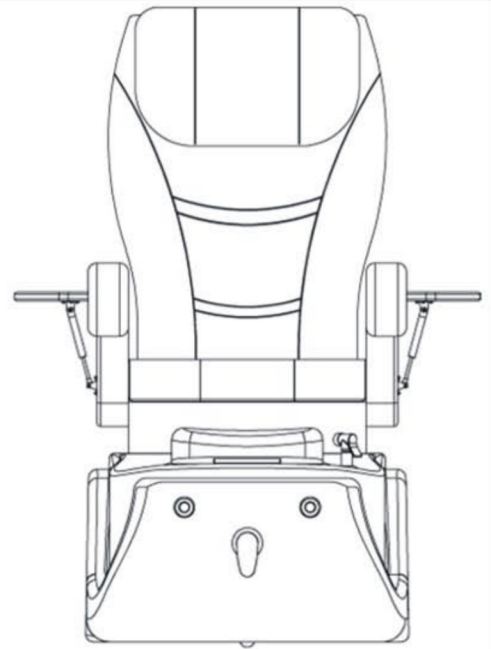


FP135 Ecco Wave Pedicure Chair

SpaSalon.us
wholesale



Specification

Dimension & Weight(Net)	Pedicure Spa & Massage Chair	52LX24WX53H
Capacity Of Tub		4.5U.S Gallon
Switch		On/Off Air Activated Switch
Power Source	Dedicated 5A Wall Outlet Require Pipe-less whirlpool motor Discharge Pump(Optional) LedLight Massage System	120vac,1.0A,60Hz, 120vac,1.2A,60HZ, 120vac,0.45A 120vAC,60Hz
Plumbing Source	Hot Water Cold Water Drain	0.5inches (Fitting Provided) 0.5inches(Fitting Provided) 1.5inches(See Plumbing Instruction)
Warranty		One Year

Open Tray

