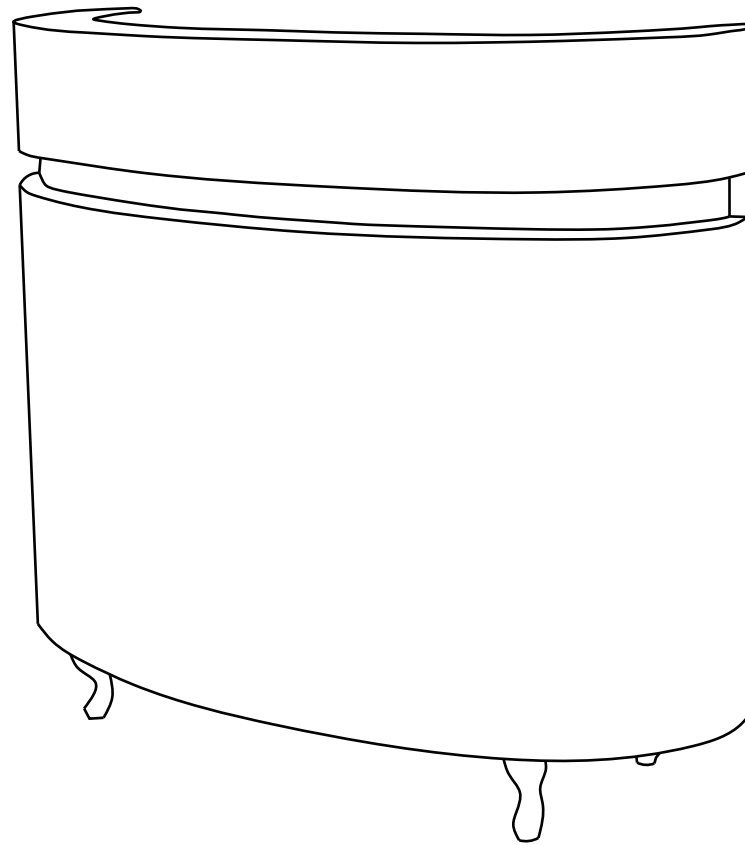


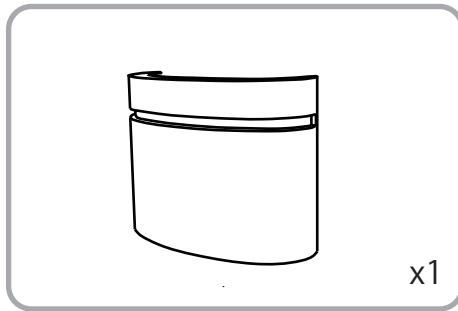
# Star Ferry

4103

INSTRUCTION MANUAL

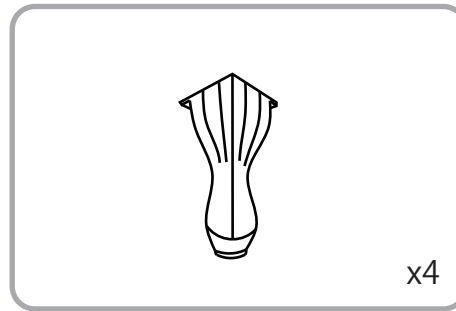


# List of Parts & Tools



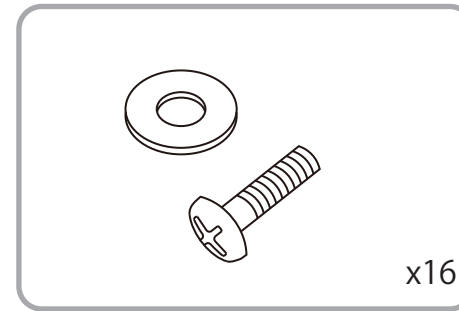
101001

x1



101002

x4

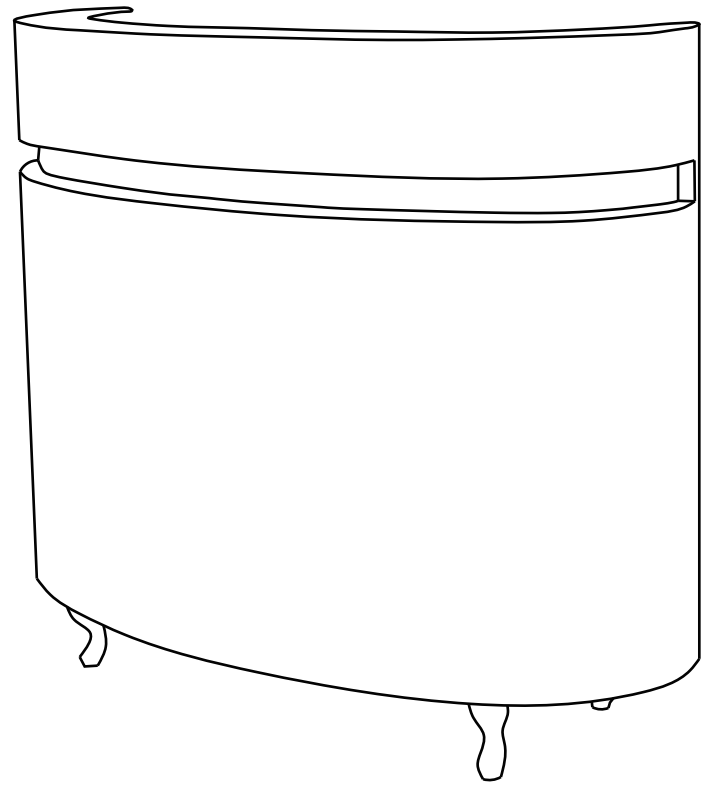
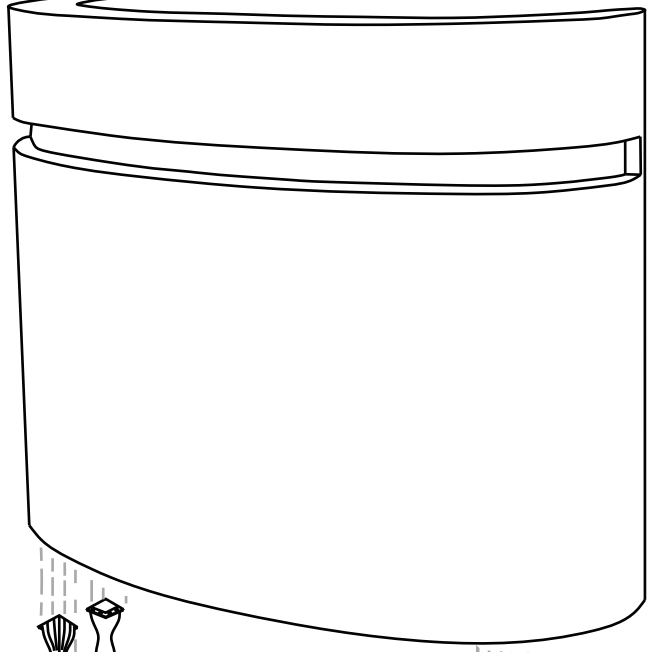


122616

x16

# Step 1

101001



101002  
122616