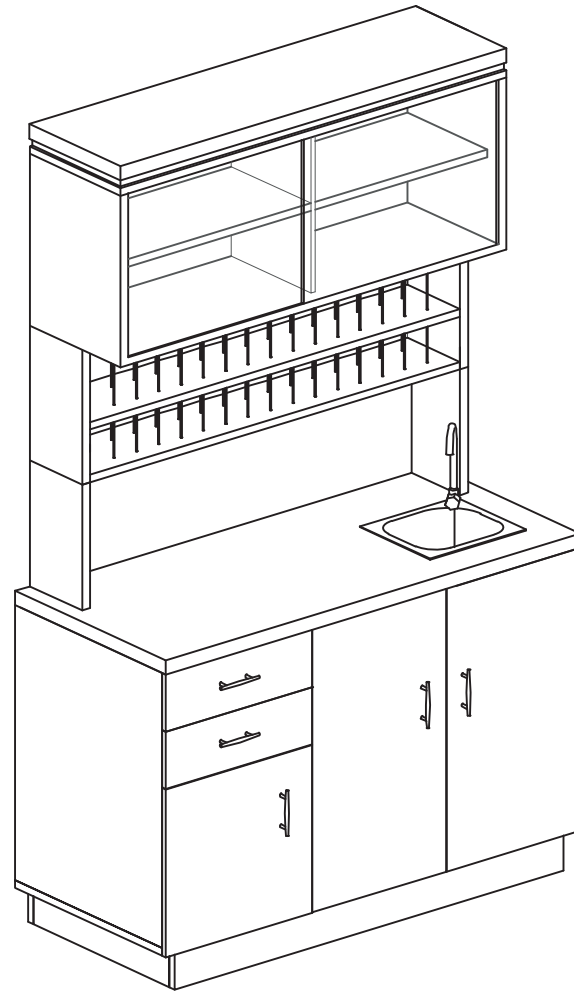


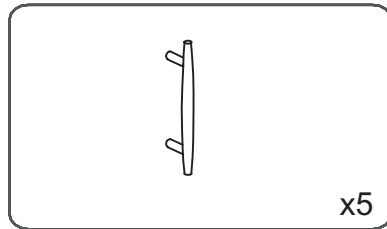
Maple

6066

INSTRUCTION MANUAL

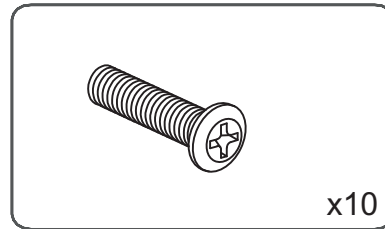


List of Parts & Tools



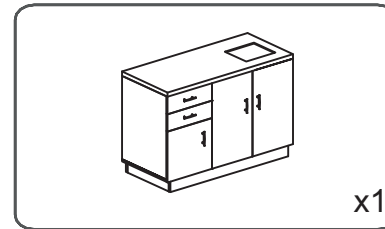
x5

101002



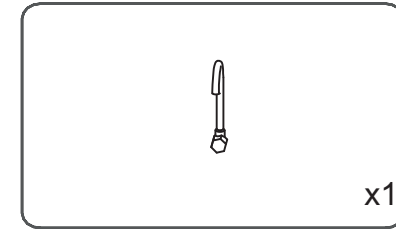
x10

101003



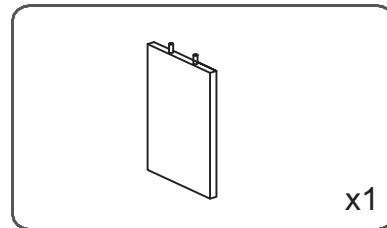
x1

101004



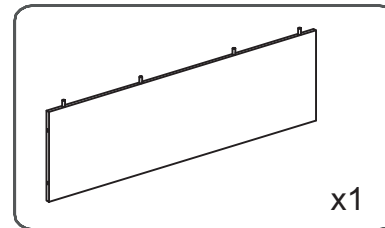
x1

101005



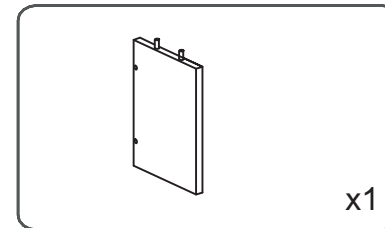
x1

101006



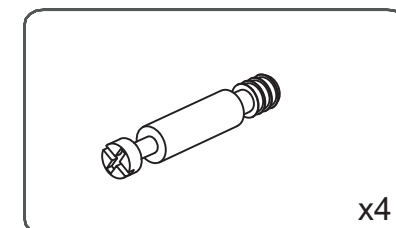
x1

101007



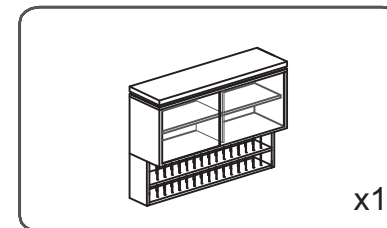
x1

101008



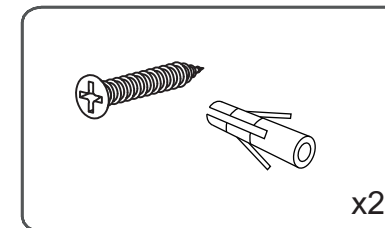
x4

101009



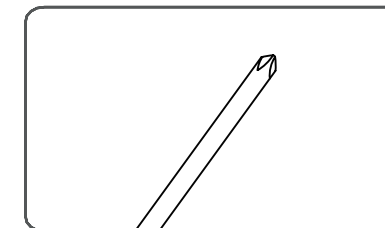
x1

101010



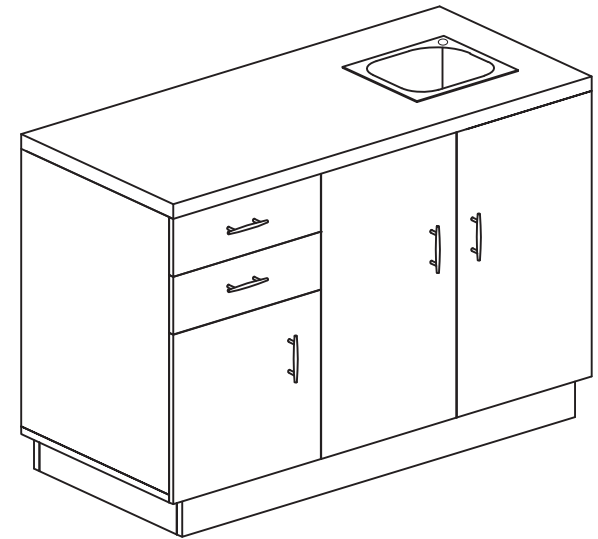
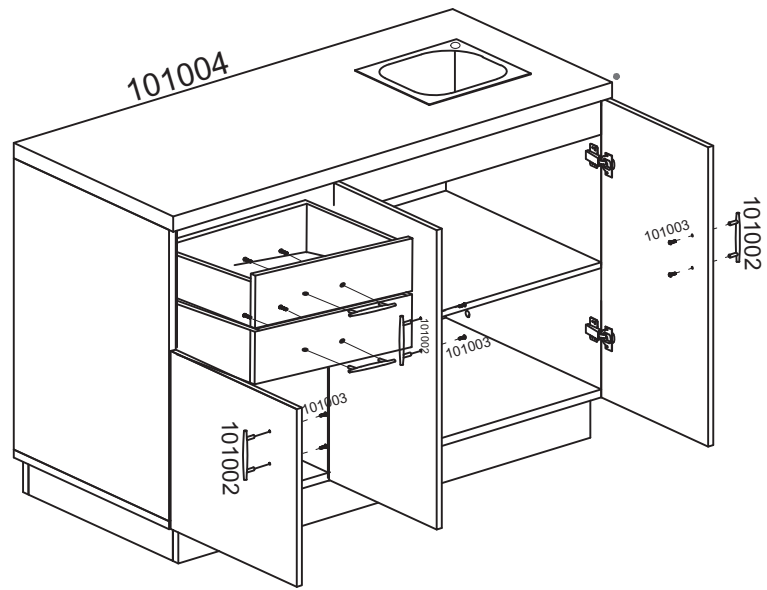
x2

111312

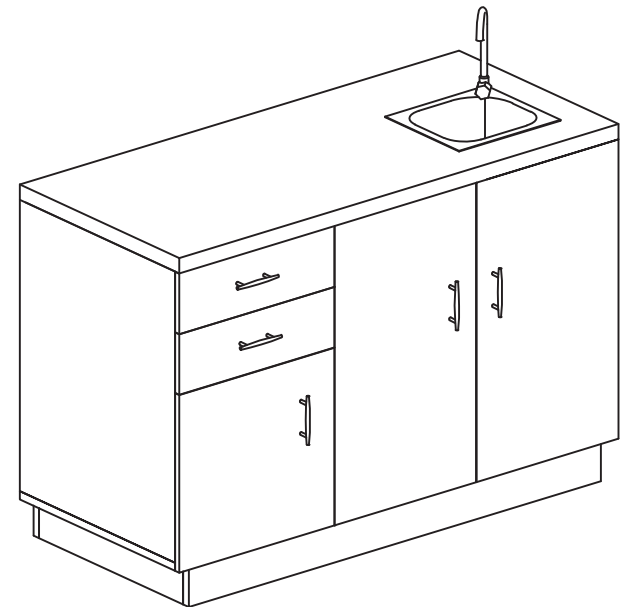
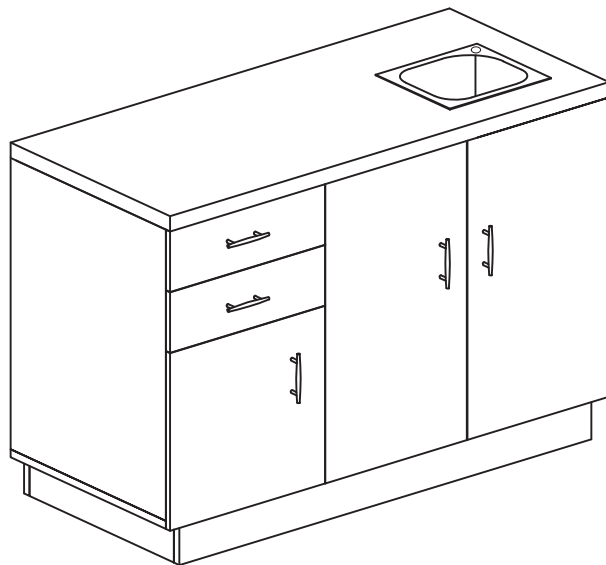


101012

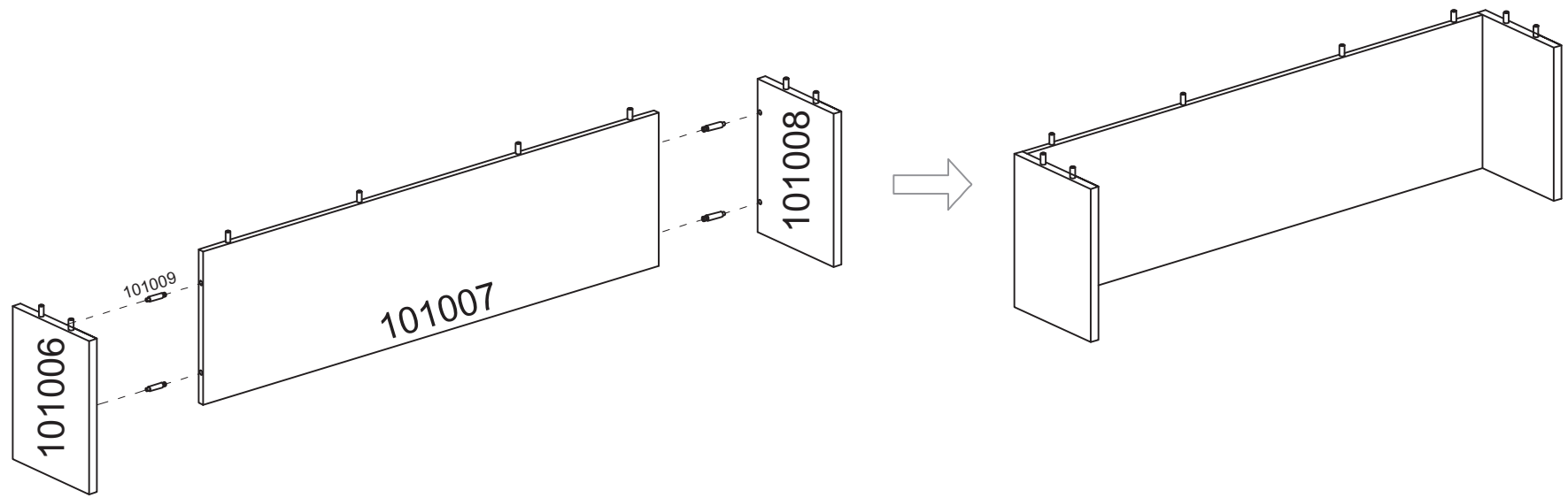
Step 1



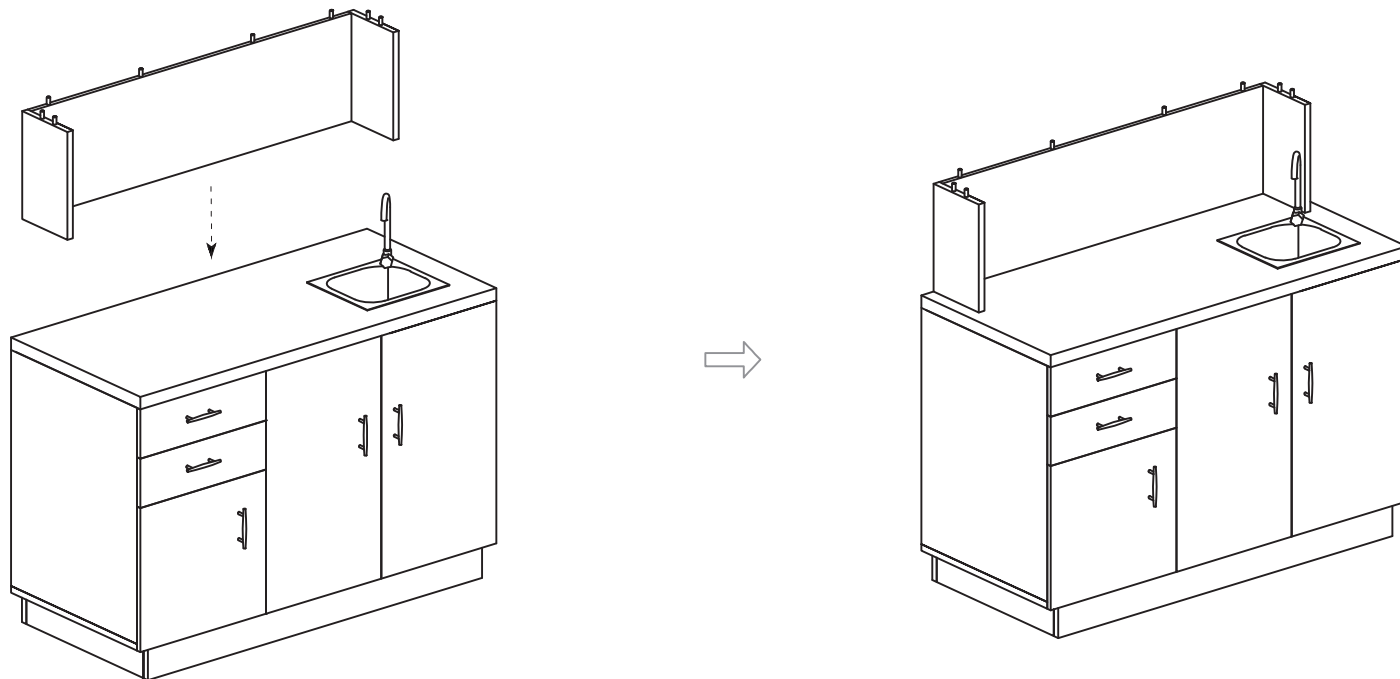
Step 2



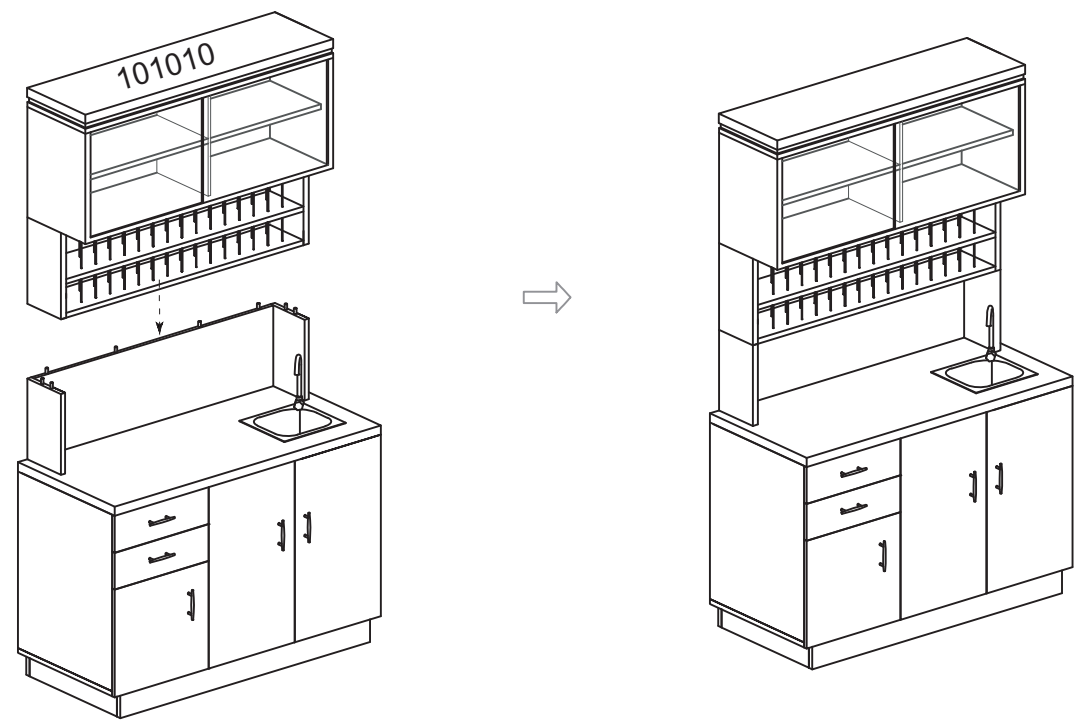
Step 3



Step 4



Step 5



Step 6

