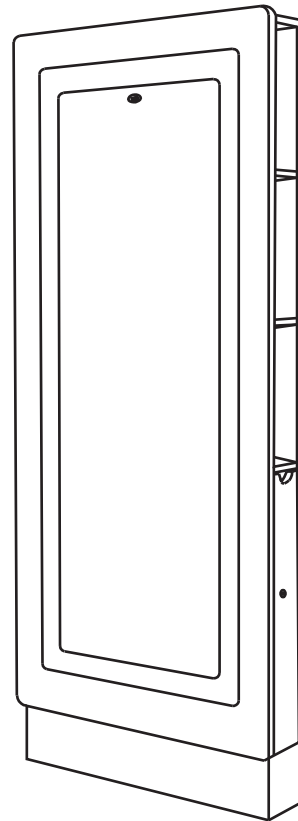


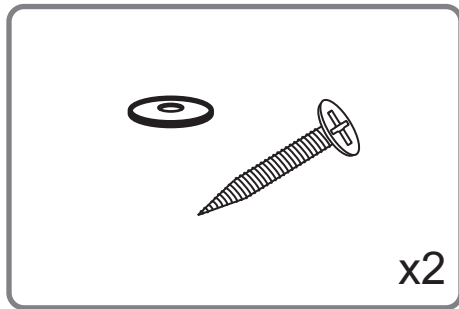
MONARCH

6118

INSTRUCTION MANUAL

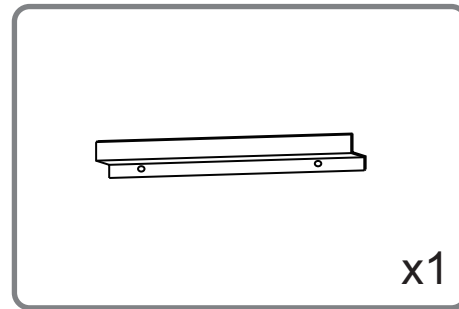


List of Parts & Tools



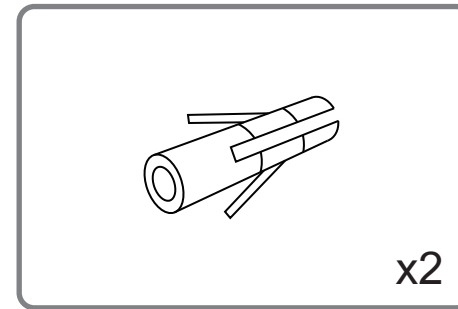
x2

101001



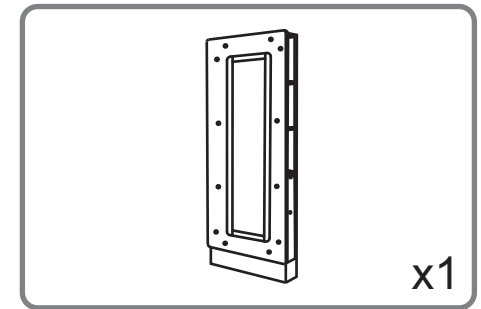
x1

101002



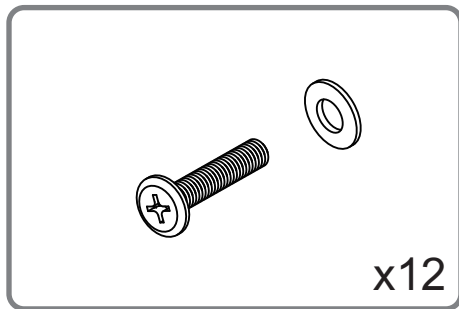
x2

101003



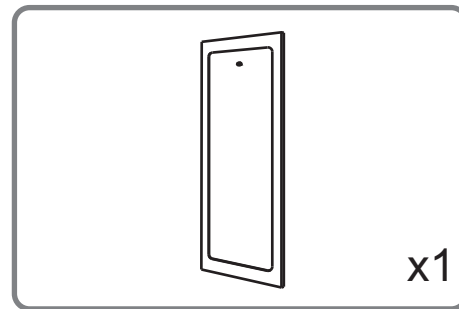
x1

101004



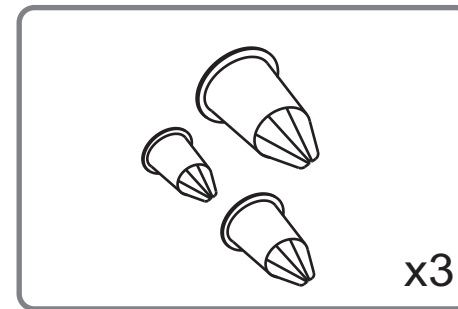
x12

101005



x1

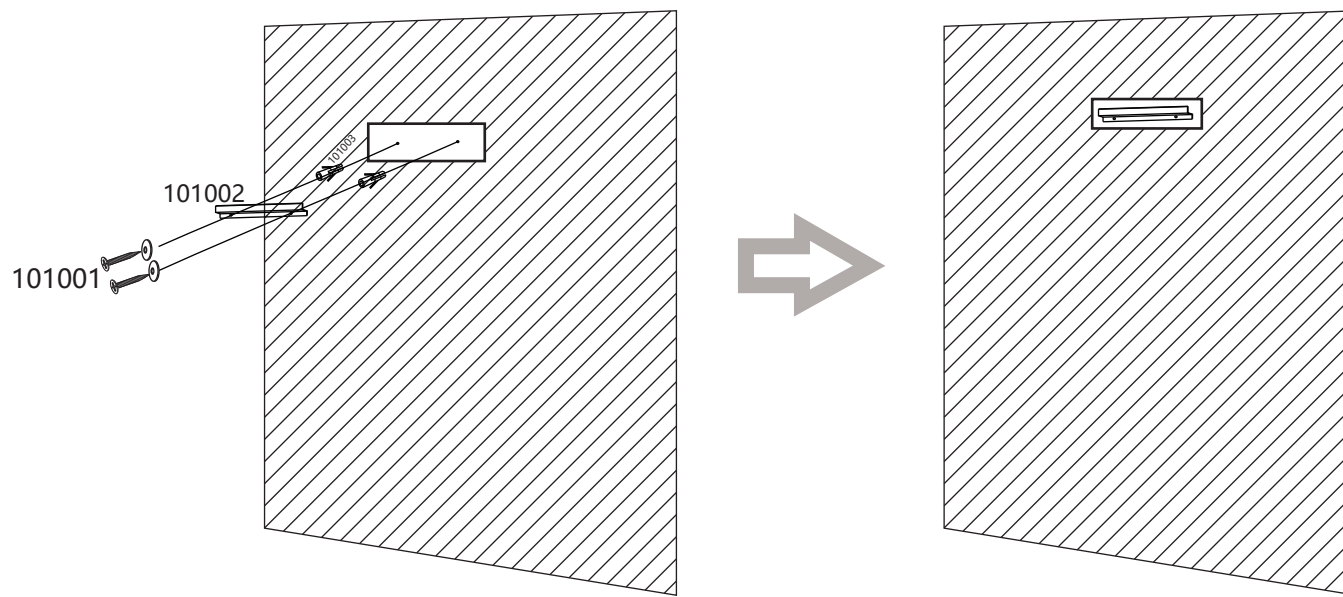
101006



x3

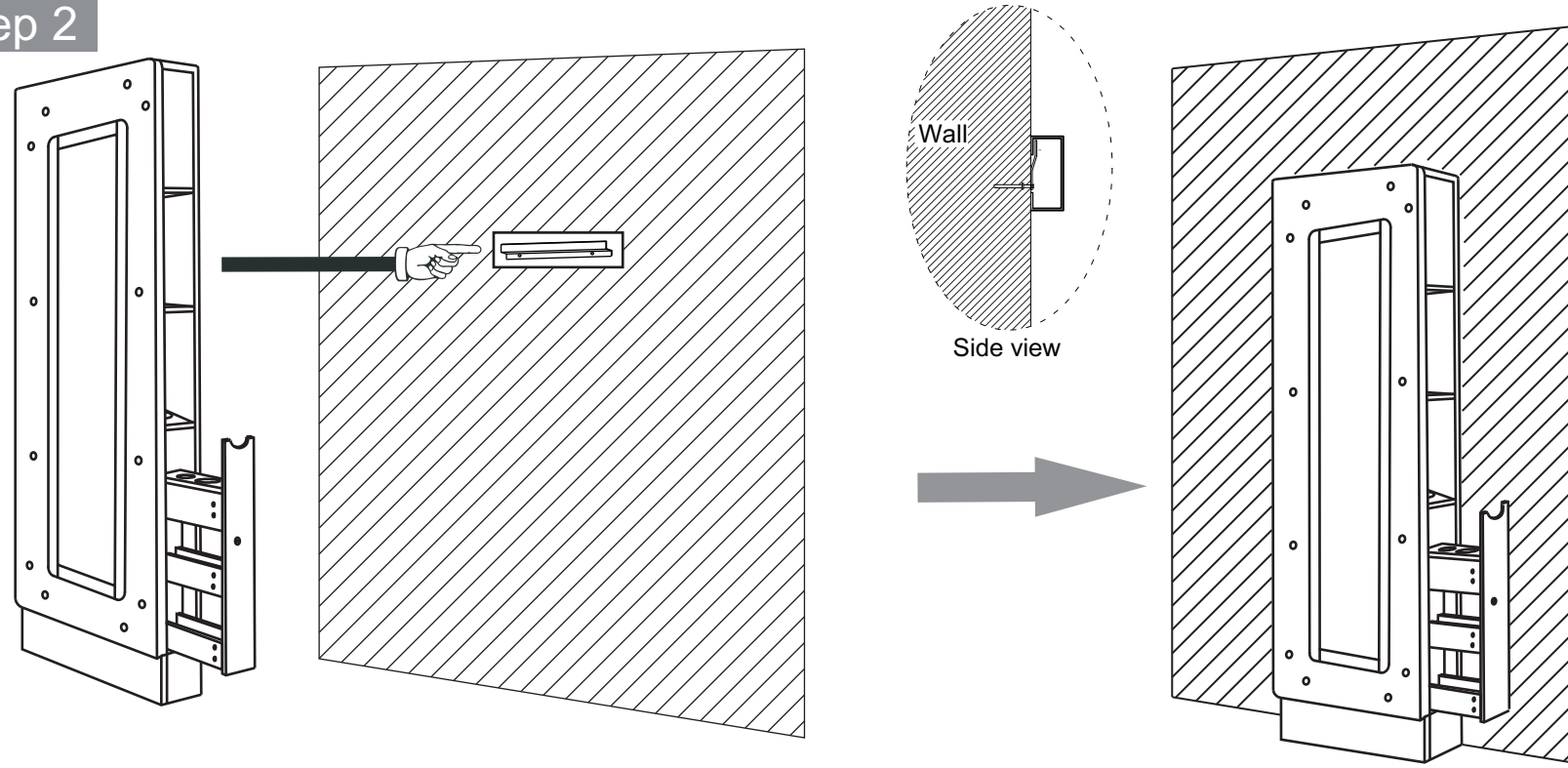
101007

Step 1

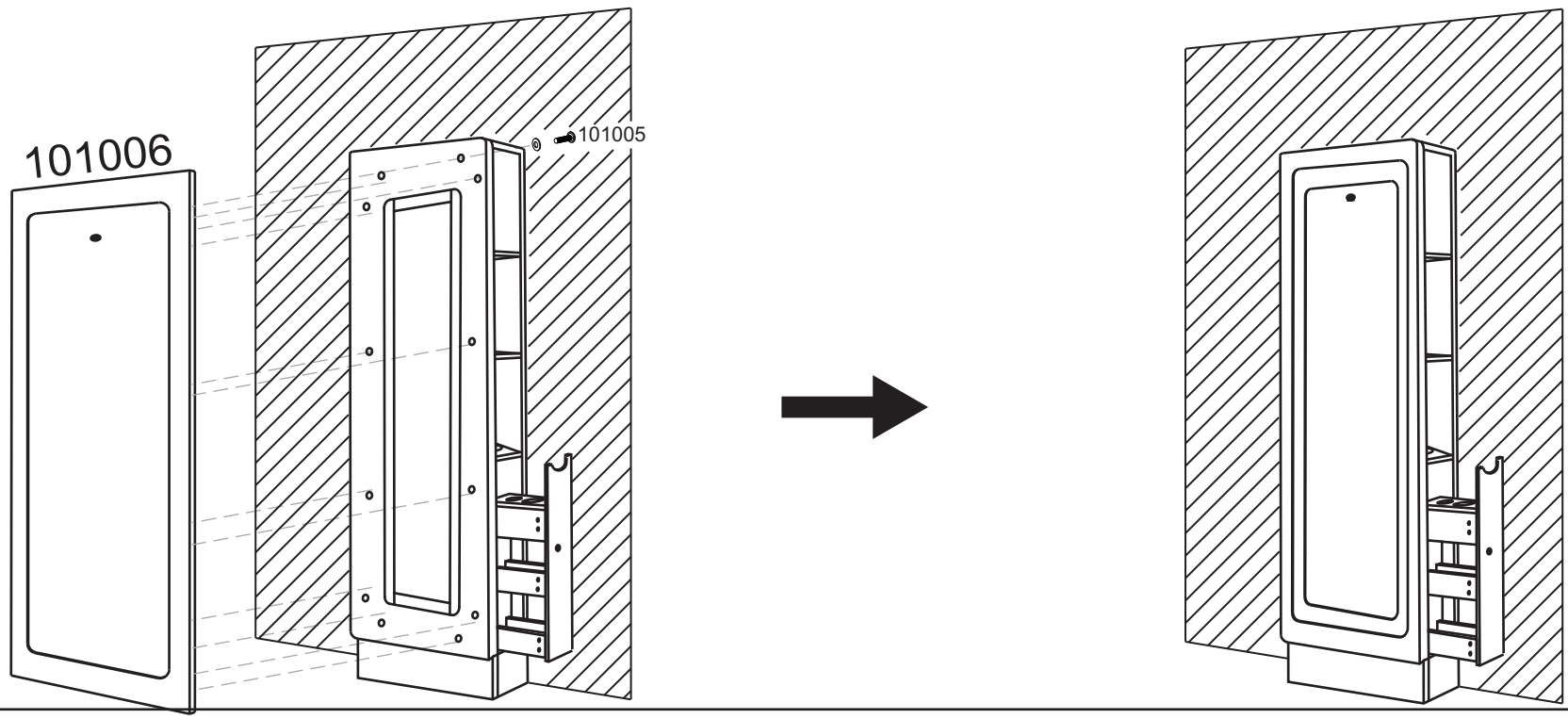


Secure the bracket onto the wall with provided expansion bolts, then secure the mirror onto the metal bracket. DIR's expansion bolts are meant for solid (cement or solid wood) walls, please use appropriate expansion bolts or wall anchors for your mounting needs.

Step 2



Step 3



Step 4

