



NEW

PETRA G5

A Combination of Comfort & Elegance



Optional
USB
\$25



Optional
Ventilation
\$125



Auto
Fill
\$250



Drain
Pump
\$250



ASSEMBLED BY
J&A USA IN NY

2 YEARS LIMITED WARRANTY



→ Check the QR Codes
for details about
J&A USA Inc.

1
**USB OUTLET &
PURSE HANGER**

BUILT IN CUP HOLDER

2

2 **BUILT IN REMOTE ON ARMREST**

3

3 **VENTILATION (OPTIONAL)**

4

4 **TECHNICIAN SIDE REMOTE (NEW)**



Optional
USB
\$25



Optional
Ventilation
\$125



Auto
Fill
\$250



Drain
Pump
\$250

PETRA G5

A Combination of Comfort & Elegance



1 USB OUTLET & PURSE HANGER



USB Receptacle Outlet with Purse Hanger.

2 BUILT IN REMOTE ON ARMREST



This Convenient & Easy to Access Remote Control provides a Wide Range of Massage Settings.

3 VENTILATION (OPTIONAL)



Optional Ventilation.

4 TECHNICIAN SIDE REMOTE (NEW)



Re-Position Clients with the Built in Technician Remote.

PETRI G5 COLOR SELECTIONS



CRYSTAL REFLECTIONS & WHITE BASE



GOLD REFLECTIONS & GOLD BASE



BLACK NICKEL & PRESTIGE GRAY BASE



GOLD REFLECTIONS & BONE BASE

BOWL COLORS



Gold Reflections

Black Nickel

Crystal Reflections

LEATHER COLORS

White



Mocha



Chocolate



Black



Gray



BASE COLORS

Gold Metallic



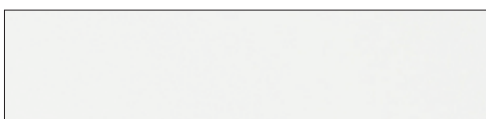
Prestige Gray



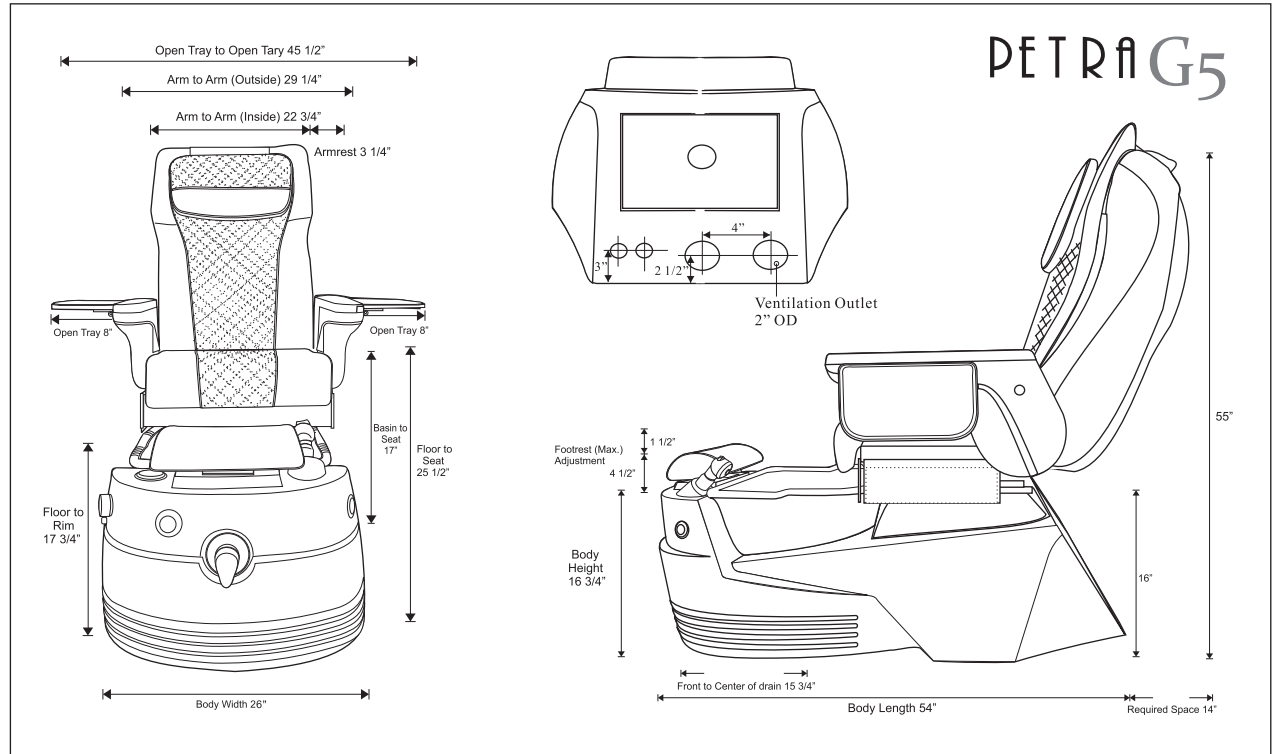
Bone



White



SPECIFICATIONS



PETRA G5

Dimension(Shipping)	Pedicure Spa with Massage Chair	67L x 37W x 40H	275 lbs
	Stool	20.25L x 20W x 8.5H	19 lbs
Dimension & Weight(Net)	Pedicure Spa with Massage Chair	54L x 26W x 55H	224 lbs
Capacity of Tub	Petra GX/G5	4.5 US Gallon	
Switch		On/Off Air Activated Switch	
Power Source	Dedicated 15 Amp. Wall Outlet Required Pipeless Whirlpool Motor Discharge Pump(Optional) Massage System	120Vac. / 0.4Amp. / 60Hz. 115Vac. / 3.2Amp. / 60Hz. 110-120V / 60Hz. / 60W.	
Plumbing Source	Hot water Cold Water Drain	0.5 inches (Fitting Provided) 0.5 inches (Fitting Provided) 1.5 inches (See Plumbing Instruction)	
Warranty	Pedicure Spa Optional Item	One year 120 Days	

* Actual colors may differ due to limitations & variations inherent in the printing process.

* Due to continuous improvements on all our products, specification, characteristics, packing, color, designs are subject to change without notice.