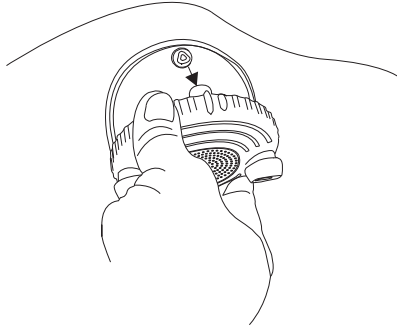
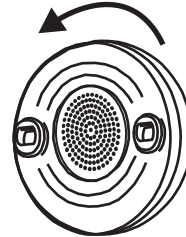


Cleanjet Unit Removal

To remove the jet unit from tub/bowl.
Gently pull out the jet unit from the anchor pegs

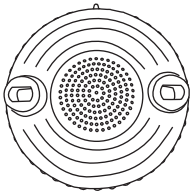


To remove the jet unit components.
Turn the top plate counter-clockwise in the arrow direction

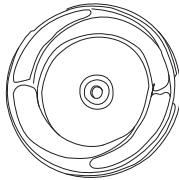


Jet Unit Components

Top Plate



Impeller Housing



Bushing



Ball

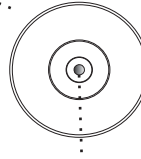
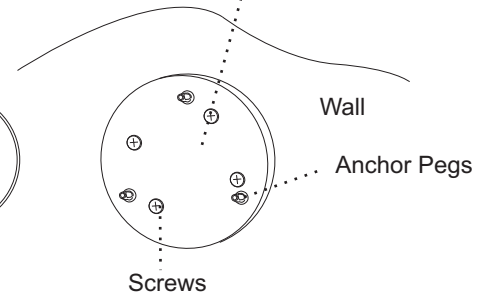


Plate & Anchors located on tub/bowl wall

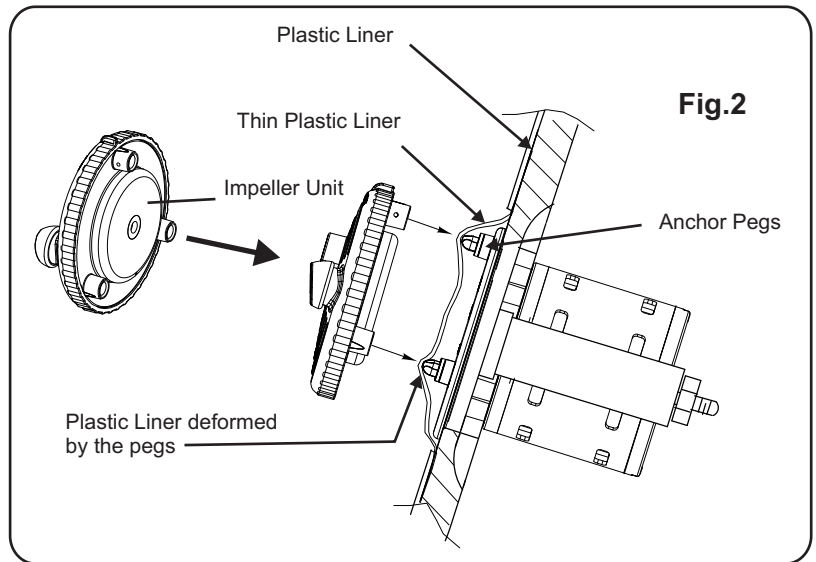
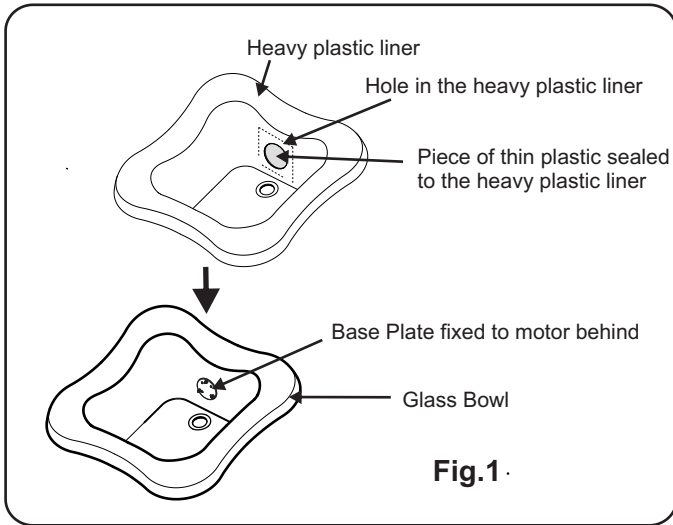


To install the jet unit. Assemble all jet unit components in order as before removal, snap the jet unit onto the anchor pegs located on tub/bowl wall securely.

Note: All jet unit components must be assembled in sequence of order to avoid malfunction.

Please call manufacturer for repair or replacement

Poly Liner Installation

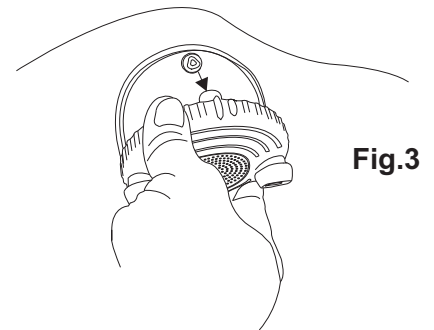


Place the plastic liner firmly inside the glass bowl as shown in the Fig.1

Align the impeller unit onto the anchor pegs and push it onto the base plate as shown in Fig.2

To remove, gently pull out the impeller unit as shown in Fig.3 from the base plate and pull up the plastic liner.

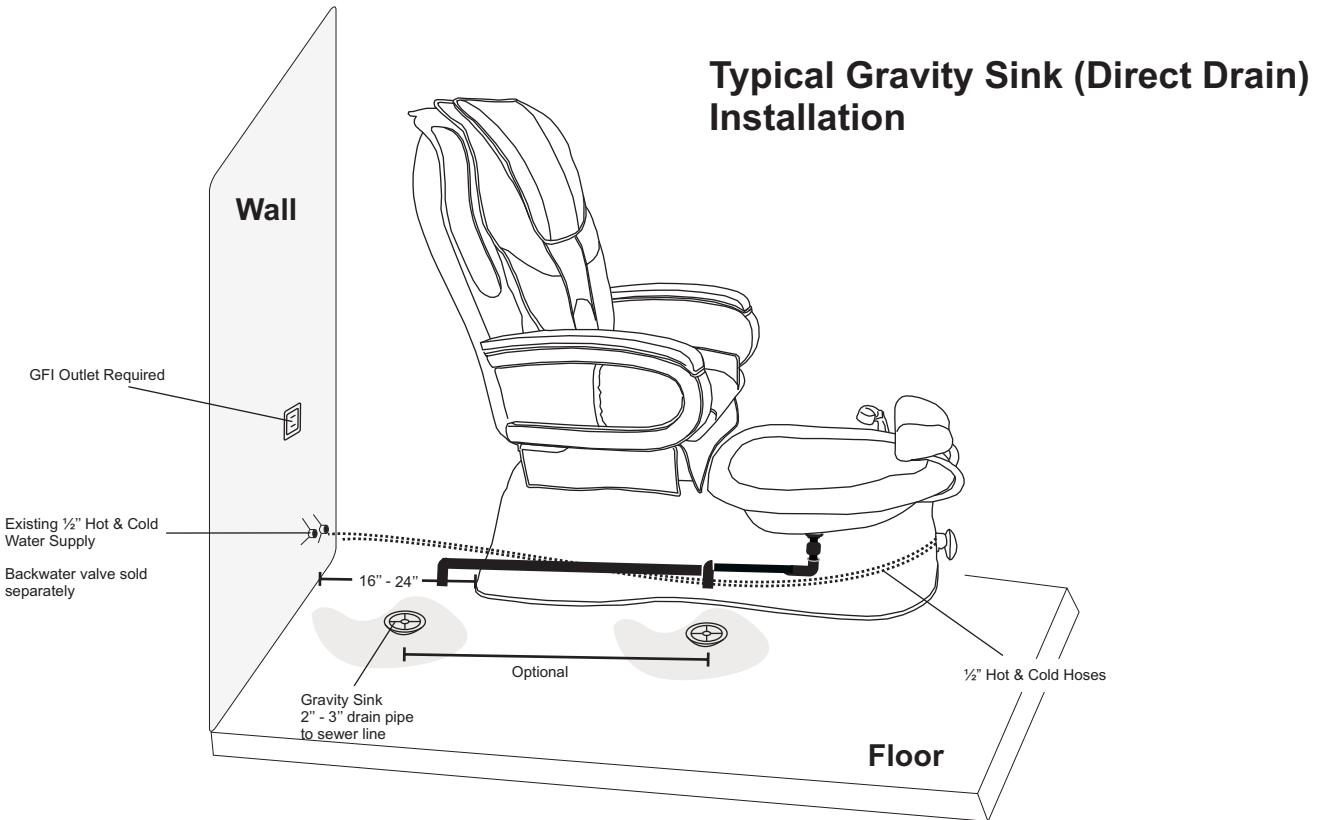
To avoid risk of infection disease, discard the liner after each use



Plumbing Connections

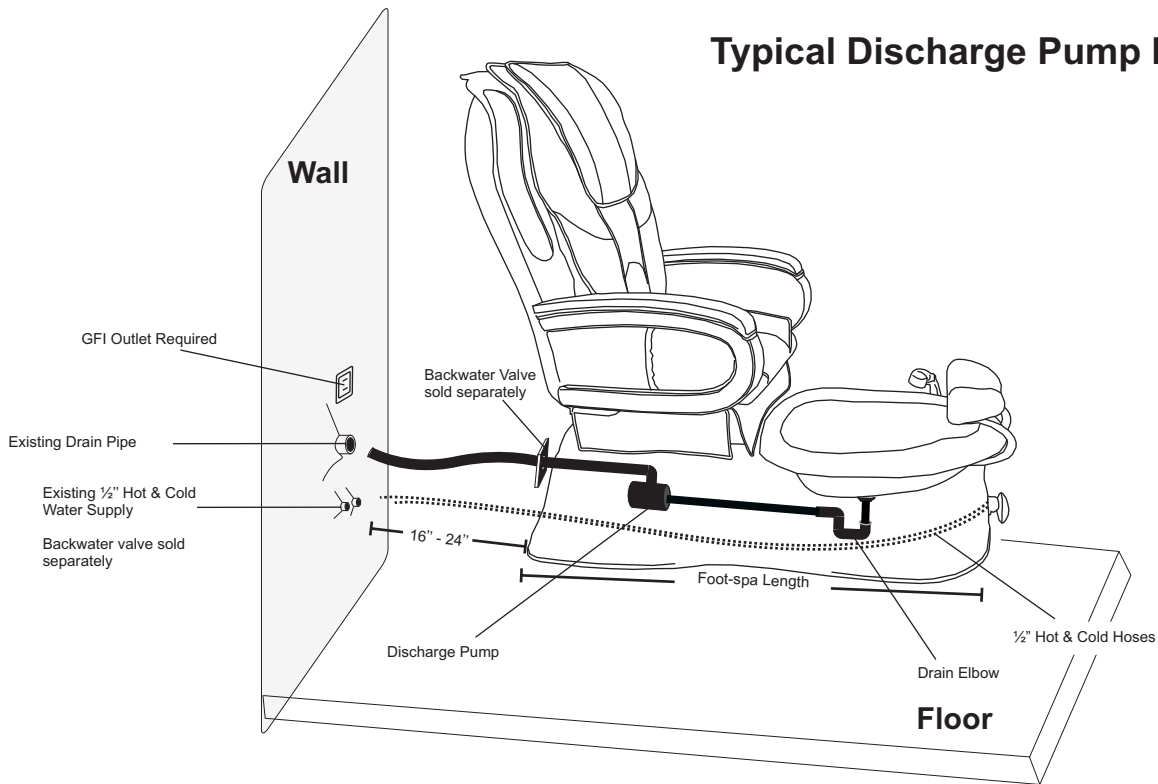
1. Discharge pump may be connected to an existing sink drain or floor drain. It can also pump up to 7 ft high, but this will increase the length of the drain time. The drain connection is at the rear of the unit by a 3/4" fitting.
2. Gravity drain uses a standard gravity drain. A floor drain is recommended. P-Trap is not installed nor supplied. The floor drain should already have a P-Trap and the UPC codes do not allow double P-Traps in the system.
3. Hot and cold water supply connections are located at the rear of the unit (1/2" fittings).
Please be advised that the hot and cold water supply lines are not fitted with optional back flow Preventers unless ordered at initial sale.
4. Have a qualified licensed electrician to install the wiring according to local codes.
The Cleanjets are 1/18 HP, 120V A.C., 0.55 AMP. 60HZ. GFI protected circuit must be used to supply power to the unit. The roller back massage chair uses a 115V A.C. supply.
5. Spa base should be anchored securely to the floor. The base may be anchored through the opening in the back of the base wherever access is convenient for the installer.
6. Hand held sprayer is Model ST700.20. It has complied with applicable requirements of ASME A112.18.1-2005/CSA B125.1-05

**FAILURE TO ANCHOR THE BASE MAY RESULT IN PERSONAL INJURY OR DAMAGE TO THE UNIT.
DAMAGE AS A RESULT WILL VOID THE WARRANTY.**

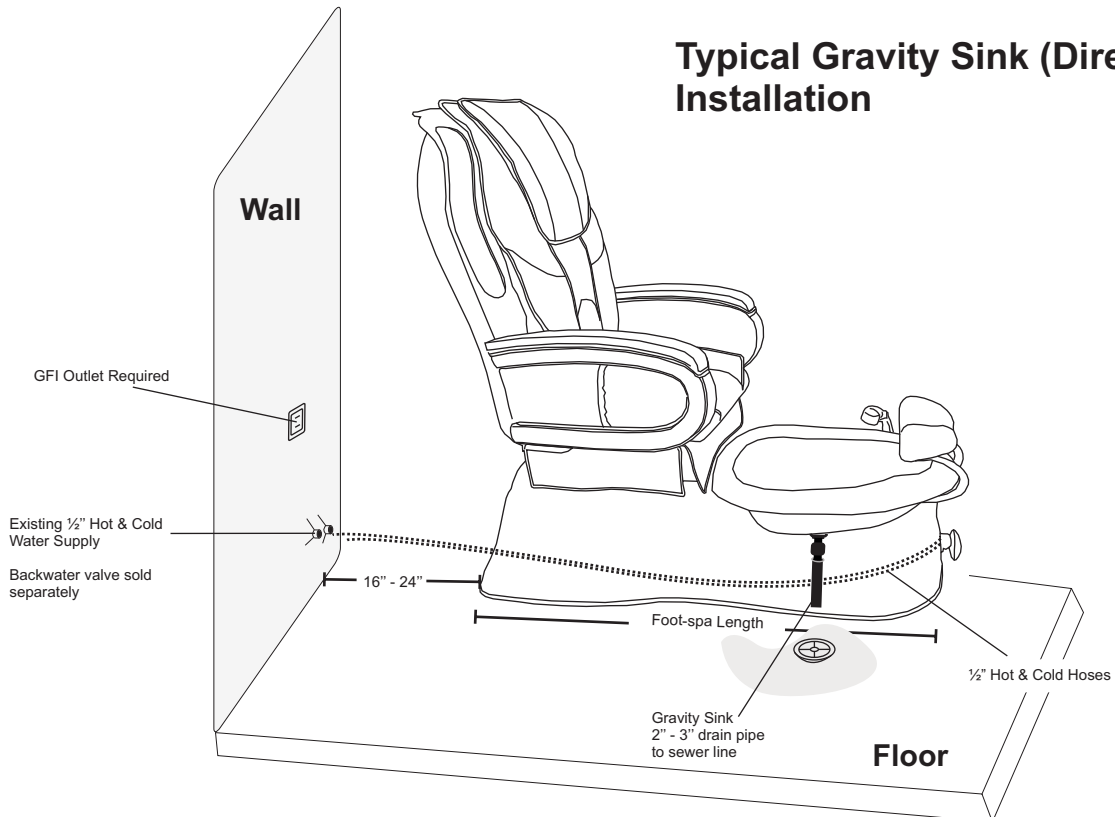


P-Trap not installed in the floor drain installation

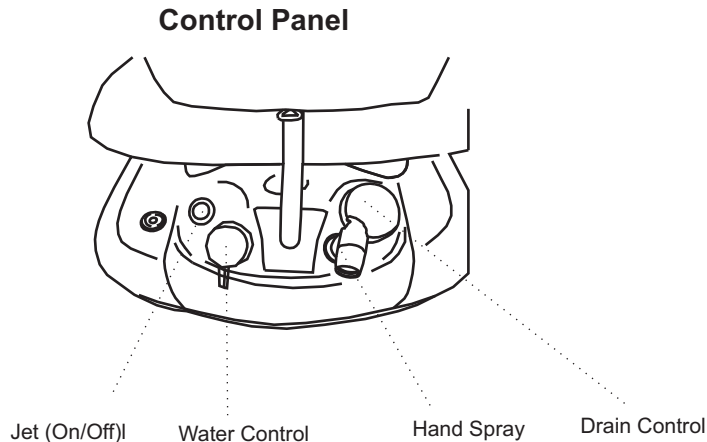
Typical Discharge Pump Installation



Typical Gravity Sink (Direct Drain) Installation



P-Trap not installed in the floor drain installation



1. To fill water:

The foot-spa is provided with a single hot and cold mixing valve as shown. This is a pressure balance valve that requires you to lift the handle to start the water flow and to adjust to the temperature that is desired. The clean jet motor must be completely submerged in water.

CAUTION: DO NOT USE FOAMING, SUDSING OR MINERAL OIL BASED ADDITIVES IN THE WATER.

2. To start whirlpool:

Press the button as shown. This will start your Clean Jet motor. You may stop the whirlpool function at any time by pressing the button again.

3. The foot-spa is equipped with a hand held sprayer. To activate the hand shower, pull the hand shower from the receptacle and depress the thumb control on the sprayer handle. This will turn on the water. When you release pressure on the thumb control this will turn the water off.

4. To drain whirlpool tub:

The spa is equipped with a built in optional discharge pump. Open the drain plug by turning the control knob on the front of spa base. Press discharge pump timer button on front of base (pump will run for approx. 2 min.) Average time for drain 1 minute.

5. 9600 & 9700 chairs Shiatsu Roller back massage is equipped with a state-of-the-art massage system. The massage system is easy to use; the remote has a one touch power that starts select your own massage. You can also adjust the front to rear position of the chair and the reclining back. By using the remote your client can adjust the back to the most comfortable position.

BASIC PRECAUTIONS SHOULD ALWAYS BE OBSERVED, INCLUDING THE FOLLOWING:

1. Read and follow all instructions
2. **DANGER.** To reduce the risk of injury, do not permit children to use this unit unless they are supervised at all times
3. Use this unit only for its intended use as described in this manual. Do not use attachments that are not recommended by the manufacturer.
4. Never drop or insert any object into any opening.
5. Do not block jets during whirlpool operation.
6. The unit must be connected to an electrical supply circuit that is protected by a ground fault circuit interrupter.
7. The clean jet motor is magnetically driven and is insulated twice. Therefore it does not require to be bonded.

Save these instructions