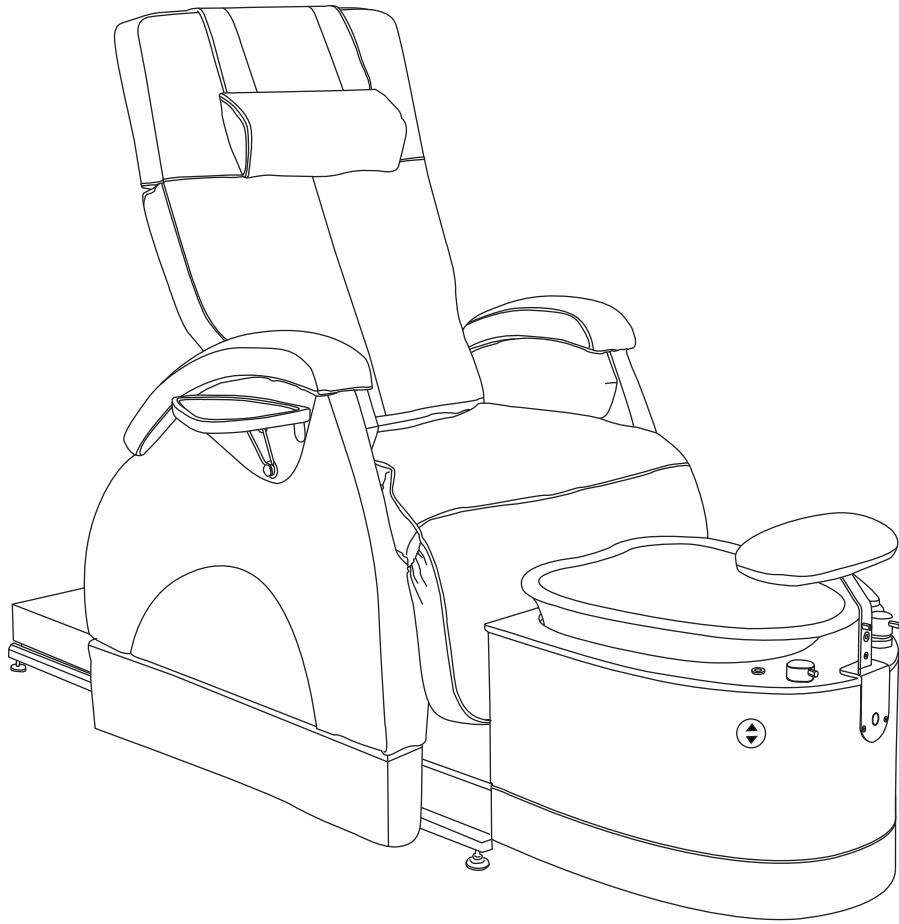


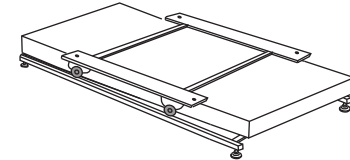
# EZ Back Zero Gravity-First Class Pedicure Spa



## Welcome to SpaSalon.us



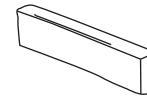
EZ Back Zero Gravity Chair



Base Frame



Mini Footspa



Frame Skirt (X2)

# Important Safety Instructions

When using an electrical appliance, basic precautions should always be followed, including the following:

## **Read all instructions before using this unit**

This product is to be connected to a branch circuit outlet protected by a Class A GROUND FAULT CIRCUIT INTERRUPTER (GFCI), and the GFCI shall be tested regularly for continued protection and correct operation. If a Class A GFCI protected outlet is not available, **DO NOT USE THIS PRODUCT!** Please contact a licensed electrician for installation of a Class A GFCI according to local electric codes, or equivalent.

To reduce the risk of burns, fire, electric shock or injury to persons:

- Do not put hands or fingers near the footrest mechanism on the underside of the chair while this product is running. Touching the mechanism can result in injury.
- If the supply cord is damaged, it must be replaced by the manufacturer or its service agent or a similarly qualified person in order to avoid a hazard.
- An appliance should never be left unattended when plugged in. Unplug from outlet when not in use, and before putting on or taking off parts.
- Close supervision is necessary when this product is used by, on, or near children, invalids, or disabled persons. Keep children away from extended foot support (or other similar parts).
- Use this product only for its intended use as described in this manual. Do not use attachments not recommended by the manufacturer.
- The chair maximum **load weight** is **113 kg/250 lbs.**
- Never operate this product if it has a damaged cord or plug, if it is not working properly, if it has been dropped or damaged, or dropped into water. Return this product to a service center for examination and repair.
- Do not carry this appliance by supply cord or use cord as a handle.
- Always keep the power cord away from heated surfaces.
- **Do not use outdoors.**
- Do not operate where aerosol (spray) products are being used or where oxygen is being administered.
- Do not use this product when standing on a damp floor, or when any part of the body is in contact with plumbing or any similar ground.
- Do not use this product if noise above normal sound is heard.
- Do not stand on or in appliance. Use only while seated.
- This appliance is not intended for use by persons (including children) with reduced physical, sensory or mental capabilities, or lack of experience and knowledge, unless they have been given supervision or instruction concerning use of the appliance by a person responsible for their safety. Children should be supervised to ensure that they do not play with the appliance.
- If a crack occurs in the glass bowl, **DO NOT** manually handle the bowl unless the proper attire is worn. Under no circumstances must the bowl be used by your customers as you can be held accountable for any injury that may occur. SuperrelaxUsa is not liable for any injury that may occur.
- Foot-spa must be installed by a licensed plumber and electrician in accordance with local codes. Plumbing and Electrical Installation instructions must be adhered to in order for the warranty to be in effect and to ensure the utmost in safety.
- The foot-spa is not intended to be stood in or used as a step, standing in or using as a step may cause severe damage to the unit as well as possible serious injury to the person



## **Warning**

1. Excessive water temperature is dangerous and should be checked **BEFORE** use.
2. Maximum temperature of the water should never exceed 100 degrees F.
3. Always enter and exit the Foot Spa slowly and carefully.
4. **NEVER** bring and / or operate any electrical devices into or near the Foot Spa.

## **Safety Precautions**

- Comfortable clothing is recommended while using this product.
- If you feel any abnormal discomfort during the operation of this product, turn off the power immediately and do not use the product. Consult your physician.
- Do not pull on the AC cord.
- When using this product after it has been in storage, check to see that the product is operating properly prior to use. Always confirm that there are no obstacles behind the product and that there is sufficient space to recline.
- Do not attempt to repair this product yourself.
- To reduce the risk of electric shock, this appliance has a polarized plug (one blade is wider than the other). This plug will fit in a polarized outlet only one way. If the plug does not fit fully in the outlet, reverse the plug. If it still does not fit, contact a qualified electrician to install the proper outlet.
- Do not change the plug in any way.

## **BASIC PRECAUTIONS SHOULD ALWAYS BE OBSERVED, INCLUDING THE FOLLOWING:**

1. Read and follow all instructions
2. **DANGER.** To reduce the risk of injury, do not permit children to use this unit unless they are supervised at all times
3. Use this unit only for its intended use as described in this manual. Do not use attachments that are not recommended by the manufacturer.
4. Never drop or insert any object into any opening.
5. Do not block jets during whirlpool operation.
6. The unit must be connected to an electrical supply circuit that is protected by a ground fault circuit interrupter.
7. The clean jet is magnetically driven and the motor is insulated twice.  
**Note:** Motor is grounded and UL tested for current leakage.

## **Warranty**

1. Limited One(1) Year warranty on chair frame and motor.
2. Limited Three(3) Months warranty on massage system.
3. Limited One(1) Year warranty on the whirlpool/drain pump.
4. Limited One(1) Year warranty on the Clean Jet.
5. Limited One(1) Year warranty on the glass bowl.

## **Warranty Exclusions**

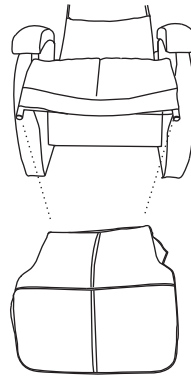
1. Chair upholstery.
2. Freight damage, misuse, neglect, accident, natural disaster and abuse.
3. Unauthorized repairs.

# Chair Installations

## INSERT THE SEAT CUSHION

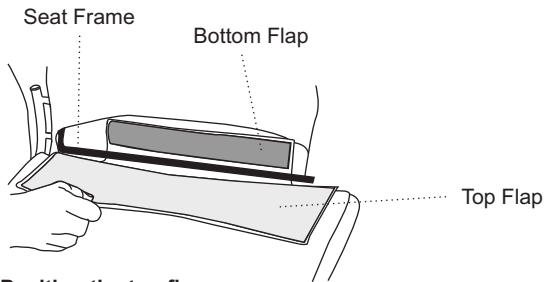
### Slide the seat cushion onto the chair frame.

Slide the seat cushion onto the lower part of the chair frame, making sure that the frame slides into the fabric pocket located on the bottom side of the pad.



### Secure the bottom flap.

Wrap the bottom flap around the seat frame by tucking it under the frame, pulling it up and toward you, then attaching it to the seat cushion with velcro.



### Position the top flap.

Lay the top flap back flat against the backrest frame.

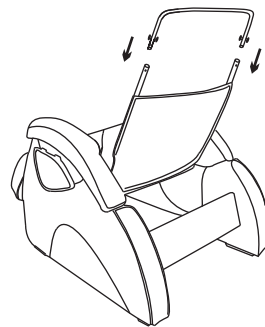
## ATTACH THE HEADREST FRAME

### Adjust the chair to an upright position.

For your convenience, and to better position the chair for the remaining assembly, plug in the chair, then use the recline control to adjust the chair to an upright position.

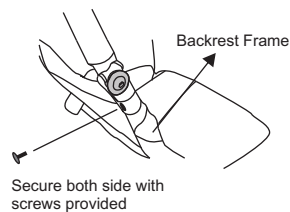
### Insert the headrest frame into the backrest frame.

Slide the two ends of the headrest frame into the holes in the top of the backrest frame.



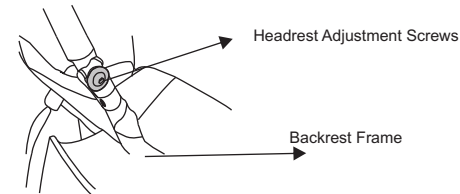
### Secure the headrest frame.

Using a Phillips-head screwdriver, secure the two headrest frame screws to the backrest frame.



### Adjust the headrest frame.

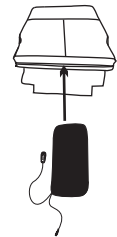
Using the hex key to tighten both screws on the headrest frame to create enough friction in order to adjust the headrest. Do not over-tighten the screws



## INSERT THE BACKREST CUSHION

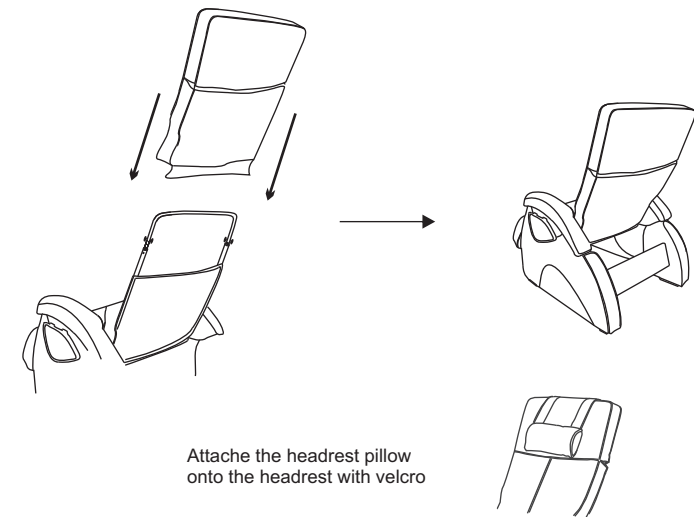
### Insert the massage unit into the backrest cushion.

Gently push the massage unit into the backrest cushion cavity. Leave all remote/wiring connections sticking out for later access



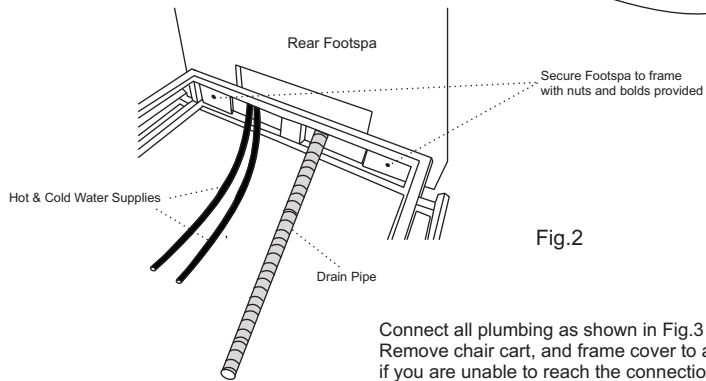
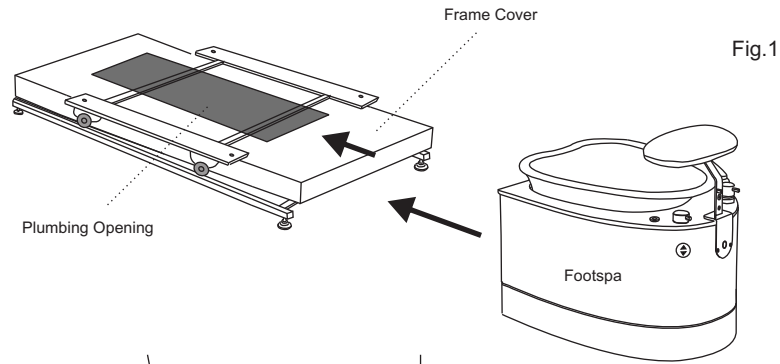
### Slide the backrest cushion onto the backrest frame.

Holding the backrest cushion upward with the flap to the back of the chair, gently slide the backrest cushion over the head/backrest frame until it meets the seat cushion.

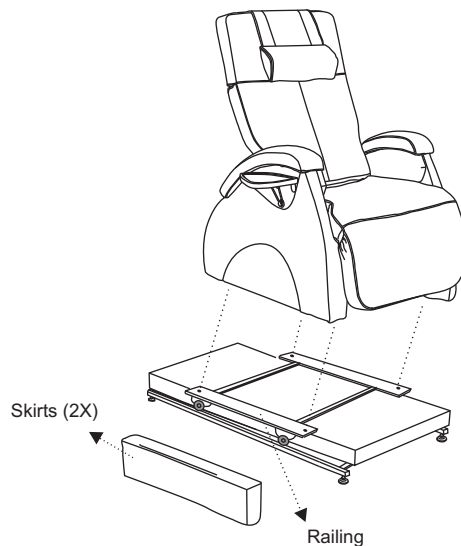


# Secure Footspa

Slide the frame cover to expose the opening on the frame to secure the footspa. See Fig.2.  
Align the footspa to the frame and secure with nuts and bolts provided

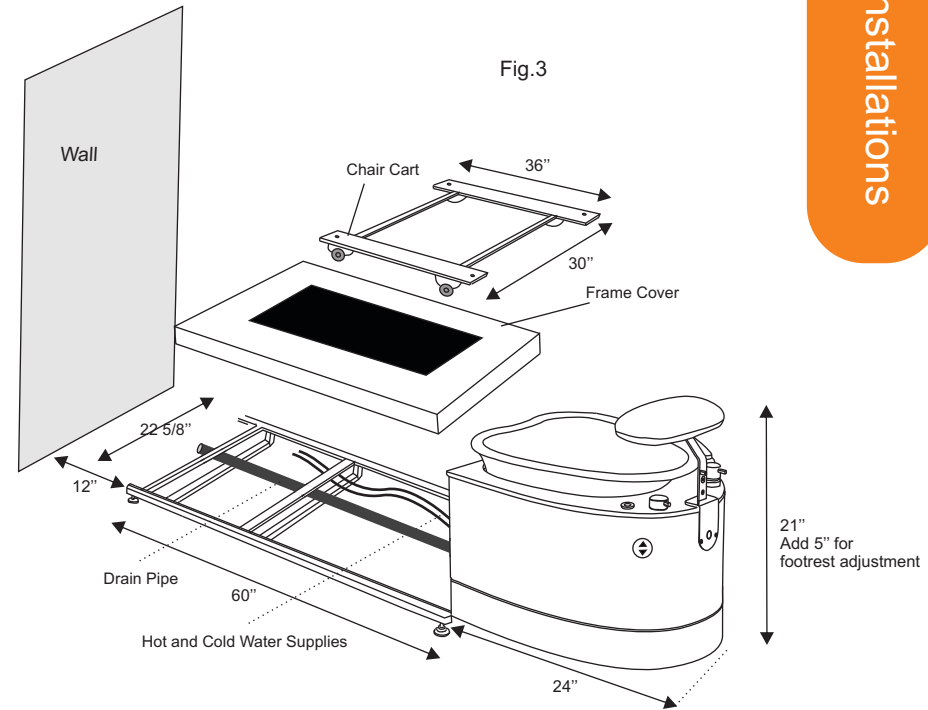


Connect all plumbing as shown in Fig.3  
Remove chair cart, and frame cover to access all plumbing connections if you are unable to reach the connection with plumbing opening



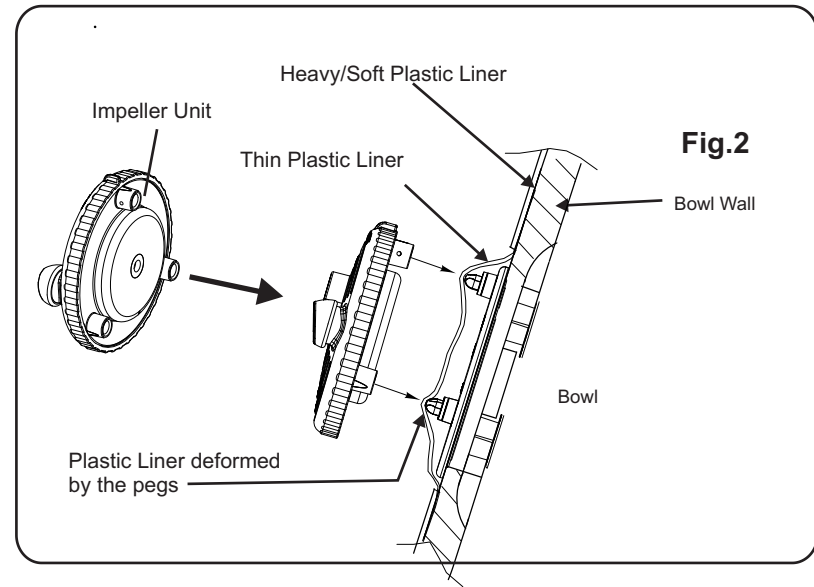
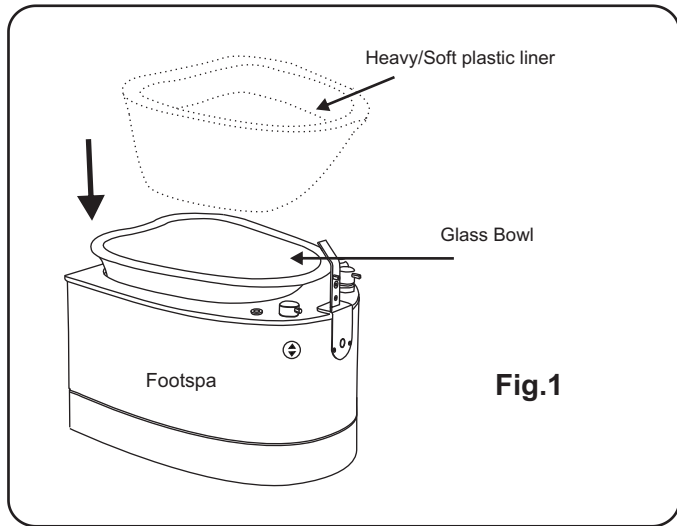
Secure the chair on the railing cart with nuts and bolts provided  
Cover the railing with skirts provided on both sides

# Plumbing Connections



Secure the frame cover and chair cart after plumbing connection is complete then secure the EZ Back Zero Gravity chair on the frame in Fig.4

# Poly Liner Installation

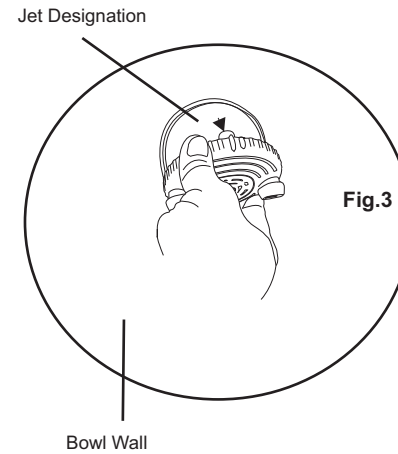


Place the plastic liner firmly inside the bowl as shown in the Fig.1

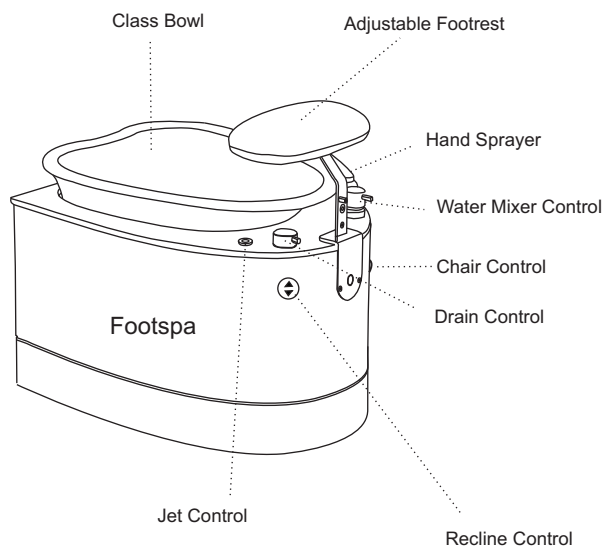
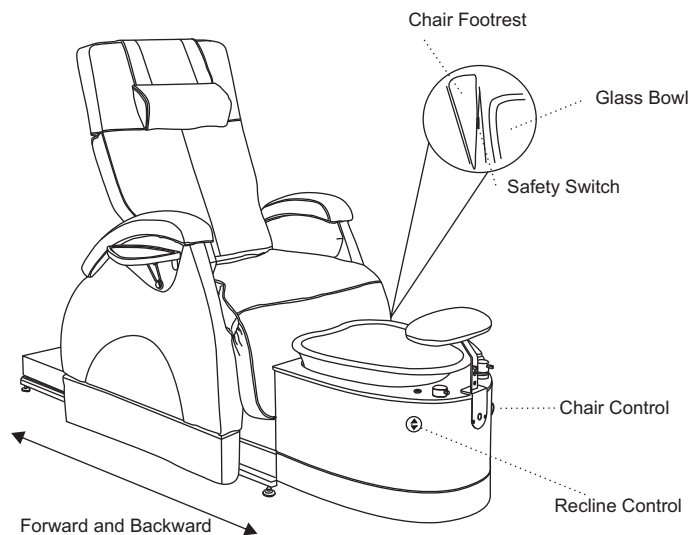
Push the jet unit onto the bowl

To remove, gently pull out the jet unit as shown in Fig.3 from the bowl and pull up the plastic liner.

To avoid risk of infection/disease, discard the liner after each use



# Chair and Footspa Operations



EZ Back Zero Gravity chair can be moved forward or backward. The chair will stop moving forward when the footrest has reached the safety switch on the back of the footspa unit.

## Move Chair forward or backward

Gently press forward or backward on the chair control. Release the control button when you reach the desired position.

## Adjust the recline angle of the chair

Before adjusting the recline angle, be sure there is nothing located directly behind or beneath the chair. Gently press down on the recline control to recline, or press up on the control to adjust the angle forward. Release the control button when you reach the desired angle. The chair automatically stops when you reach the maximum recline or the full upright position.

**NOTE:** Lean back against the backrest before reclining the chair. Before adjusting the recline angle of the chair, move the chair backward away from the footspa unit to leave enough space for the chair movement.

## CAUTION:

**Do not put any extra pressure on the footrest while returning the chair to an upright position. Do not push on the footrest, or lean against it.**

**Mind feet are up when chair position is upright and moving toward footspa (Safety switch operates with footrest only)**

## 1. To fill water:

The foot-spa is provided with a single hot and cold mixing valve located on the front of your spa. This is a pressure balance valve that requires you to lift the handle to start the water flow and to adjust to the temperature that is desired. **The clean jet motor must be completely submerged in water.** The foot-spa is equipped with a hand held sprayer. To activate the hand shower, pull the hand shower from the receptacle.

**CAUTION: DO NOT USE FOAMING, SUDSING OR MINERAL OIL BASED ADDITIVES IN THE WATER.**

## 2. To start whirlpool:

Press the jet control button as shown. This will start your Clean Jet motor. You may stop the whirlpool function at any time by pressing the button again.

## 3. To drain whirlpool tub:

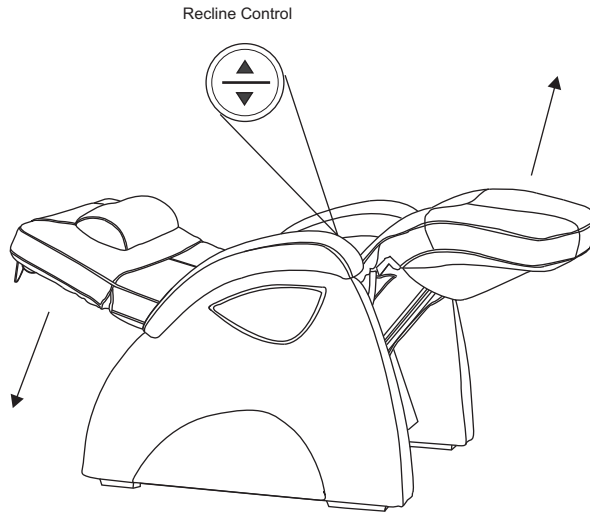
Discharge whirlpool by turning drain control to the right. Average time to drain is 1 minute.

## BASIC PRECAUTIONS SHOULD ALWAYS BE OBSERVED, INCLUDING THE FOLLOWING:

1. Read and follow all instructions
2. **DANGER.** To reduce the risk of injury, do not permit children to use this unit unless they are supervised at all times
3. Use this unit only for its intended use as described in this manual. Do not use attachments that are not recommended by the manufacturer.
4. Never drop or insert any object into any opening.
5. Do not block jets during whirlpool operation.
6. The unit must be connected to an electrical supply circuit that is protected by a ground fault circuit interrupter.
7. The clean jet is magnetically driven and the motor is insulated twice.  
Note: Motor is grounded and UL tested for current leakage.
8. Save these instructions

# Chair Operations

Plug the chair into an appropriate power source.



## Adjust the recline angle

Before adjusting the recline angle, be sure there is nothing located directly behind or beneath the chair. Gently press down on the recline control to recline, or press up on the control to adjust the angle forward. Release the control button when you reach the desired angle. The chair automatically stops when you reach the maximum recline or the full upright position.

**NOTE:** Lean back against the backrest before reclining the chair.

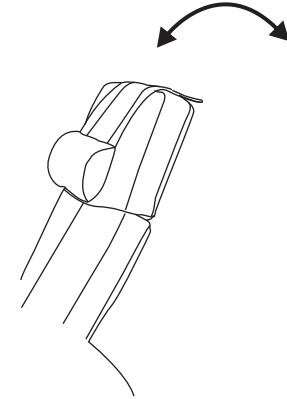


### CAUTION:

Do not put any extra pressure on the footrest while returning the chair to an upright position. Do not push on the footrest, or lean against it. Ensure chair is clear of obstructions: wall, footspa before reclining.

## Adjust the headrest

While seated, reach up with both hands and grasp both sides of the headrest. You will feel the rigid frame beneath the soft headrest pad. Grasping the rigid frame, tilt the headrest forward or backward for desired comfort. The headrest remains in this position until you adjust it again.



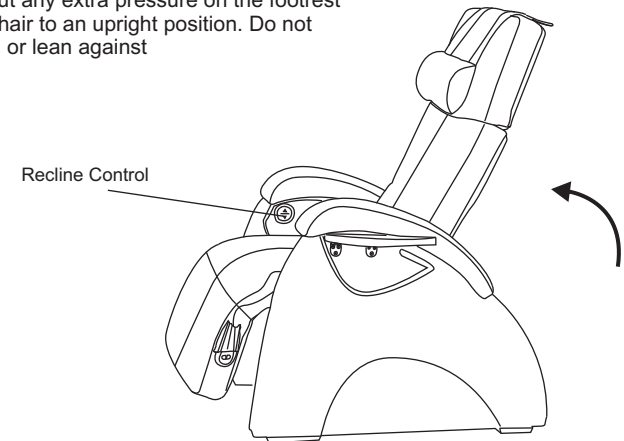
## Getting out of the chair

Press up gently on the recline control until the backrest stops in a full upright position and the footrest stops in a vertical position.

Use the armrests for support when getting up from the chair.



**CAUTION:** Do not put any extra pressure on the footrest while returning the chair to an upright position. Do not push on the footrest, or lean against



# Chair Care & Maintenance


To keep your product working and looking its best, please follow these simple care guidelines.

## Cleaning:

1. Be sure to disconnect the power cord from the electrical outlet before cleaning.
2. Do not use benzene, thinner or any other solvents on your massage chair.
3. Remove dust on the backrest or armrest with a vacuum.
4. If the backrest or armrests become soiled, wipe with a damp cloth, then a dry cloth.
5. Common upholstery cleaners may be used for tough stains.
6. When cleaning the controller or around the power switch, use a dry cloth only.  
Never use a damp cloth to clean the controller or power switch.

## Fabric Care:

To maintain your product in optimum condition, dust it frequently and/or vacuum it with a soft brush vacuum extension. Wipe with a slightly damp cloth as necessary. For tougher stains on non-leather products, use a mild detergent mixed with water. Leather products should be wiped down occasionally with a leather furniture cleaning solution.

 **WARNING:**  
Be sure to test any cleaning solution on a small, inconspicuous part of the product to ensure that the color does not fade prior to using the solution on the entire product surface.

## Maintenance and Repair:

1. The mechanics of this product are specially designed and constructed to be maintenance free. No periodic lubrication or servicing is required.
2. Your chair should only be serviced by an authorized service center.

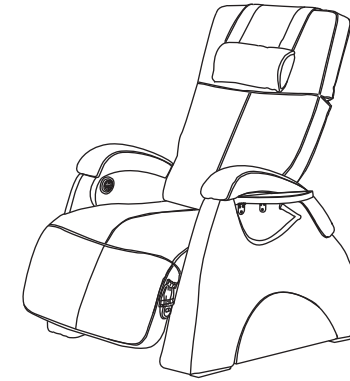
## Use and Storage Environment:

1. When not in use for a long period of time, we recommend that the chair be covered, the power cord be coiled and that the unit be placed in an environment free of dust and moisture.
2. Do not store near heat or open flame.
3. Do not leave this product exposed to direct sunlight for long periods of time.  
This may cause fading or damage.
4. Do not use or store in extreme temperatures; product stored in cold temperatures may require 48 hours at room temperature to function properly.
5. Product should be used and stored in an environment with non-condensing humidity ranging from 10 to 80%; excessive humidity will damage the mechanics.

## Miscellaneous:

1. Foreign objects should not be inserted between the massage nodes or the unit housing.
2. Care should be taken not to overload the unit.

## EZ Back Zero Gravity Chair



### Chair Specifications:

Fully reclined: 63"(160 cm)L x 35"(89 cm)W x 30"(76 cm)H  
Full reclined with tray open: 63"(160 cm)L x 44"(112 cm)W x 30"(76 cm)H

Fully inclined: 42"(107 cm)L x 35"(89 cm)W x 50"(127 cm)H  
Full inclined with tray open: 42"(107 cm)L x 44"(112 cm)W x 50"(127 cm)H

Maximum Load Weight: 113 Kg/250 Lbs

Chair Weight: 58 Kg/127 Lbs  
Chair with Back Massager Weight: 61 Kg/135 Lbs

Shipping Weight: 70 Kg/154 Lbs.  
Carton box size: 45 1/4"(115 cm)L x 32 1/4"(82 cm)W x 31 1/2"(80 cm)H



# Footspa Care & Maintenance

SuperrelaxUsa highly recommends the following cleaning regimen. You should always contact your local governing agency for their specific cleaning and disinfecting requirements and regulations for pedicure spas. For your clients safety, always use the regulations as a minimum standard for cleaning and disinfecting. Combining your states standards with the regimen listed below will provide your clients with a safe and healthy pedicure spa environment experience.

## Routine maintenance:

Powdered cleansers, abrasives or solvent-based cleansers are **NOT RECOMMENDED**. A clean towel or sponge, are all that are usually needed. A soft bristled brush may be used when excessive residue is present. Use a mild soap and water solution to clean the upholstery, but do not over wet. Wipe dry with a clean towel. No internal maintenance of the spa components is necessary. Remove clean jet caps and spray with disinfectant after each use. For extra protection, our recommendation is that the system be flushed daily or weekly depending on use. To flush the clean jet system fill spa with hot water to just above the jets. Add disinfectant. Run whirlpool for 15 minutes, drain and then wipe dry with clean soft cloth.

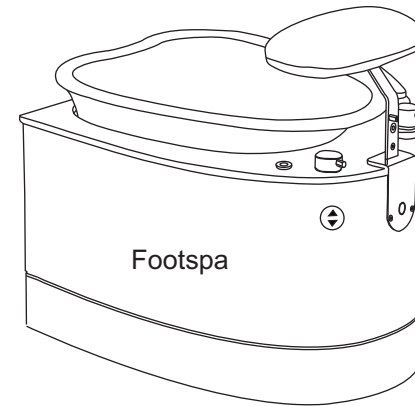
## TESTING/FLUSHING FOOT SPA

After foot spa has been installed, fill tub with water just above the jets. Carefully check for leaks at drain and motor mount. After checking underside for leaks turn on system by pushing whirlpool button and watch for leaks as water circulates. Let tub run full cycle. Open drain plug for water discharge.

## Warning

Cleaning or sanitizing is NOT disinfecting. According to the Centers for Disease Control and Prevention (CDC), and the US Environmental Protection Agency (EPA), disinfecting occurs only when there is a reduction of pathogenic microbes at 99.999%. Sanitizing is only a reduction of 99.9%. Cleaning of whirlpool pedicure spas requires surfactant and chelating detergents that are low-foaming and have the ability to remove body oils, organic oil additives, mineral oil, skin cells, nail clippings etc that can accumulate both in the basin and the jets which may become a fertile area for micro organisms to grow.

The use of oil based products can build up in the whirlpool system causing clogging in the jets. Adherence to the above cleaning will minimize build up. SuperrelaxUsa does not recommend the use of mineral oil based products.



## Footspa Specifications:

Length: 27.5" - Width: 22" - Height: 18"