

5th Avenue PediLounge™

INSTALLATION INSTRUCTIONS

IMPORTANT WARNINGS

Failure to comply with federal, state, or local codes and ordinances could result in the voiding of product warranty as well as potential injury and flooding. A licensed plumber should make all utility connections. All plumbing connections must conform to local codes. Water temperature/pressure should not exceed local regulations.

Step 1

Begin by selecting level floor location for installation. Note: For the seat to slide back and recline, the back edge of the tub must be installed at least 49.5 inches from the wall; the center of the drain should be a minimum of 62 inches from the wall. (see diagram A)

Step 2

Remove back access panel of tub.

Step 3

Position tub on desired spot and bolt to floor using four (4) holes provided on tub base (3/8" bolts recommended). (see diagram B)

Step 4

Connect waste line, hot and cold water supplies. (see diagram C)

Step 5

Test plumbing for leaks.

Step 6

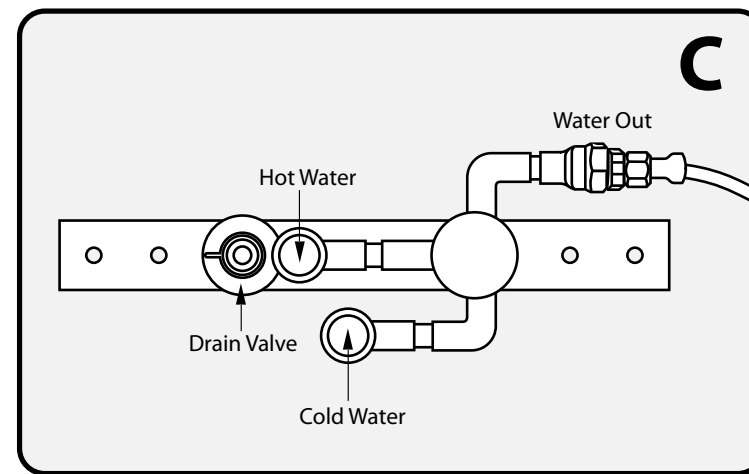
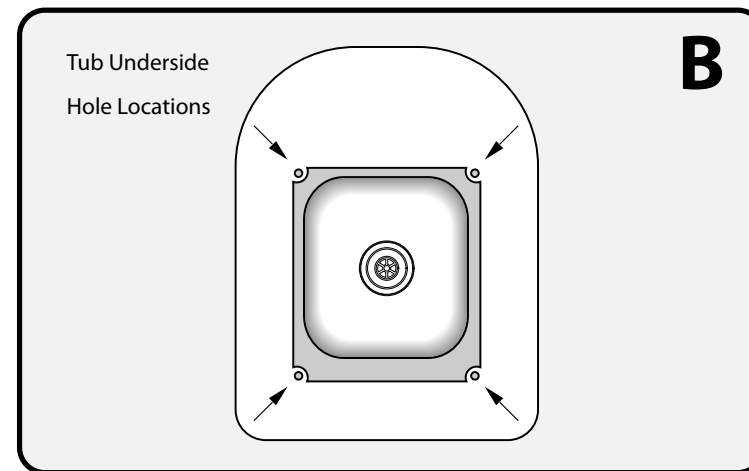
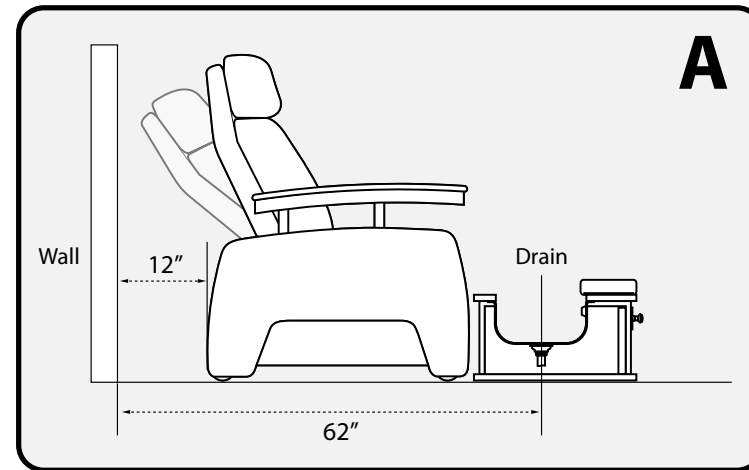
Replace access panel.

Step 7

Position chair directly behind tub. Chair should move freely in line over tub. Note: Back edge of chair base must be a minimum of 12 inches from wall in order to recline (see accompanying diagram/specifications).

IMPORTANT NOTE

DO NOT move chair sideways on wheels. Wheels were designed to move back/forward in line with wheel direction. To move chair sideways, chair must be lifted by chair arms by a minimum of two people and lowered on desired spot. Doing otherwise can cause damage to the chair and void its warranty.



WALL

